



SWIFT GROUP

Dunswell Road
Cottingham
East Yorkshire HU16 4JX
Tel **01482 875740**
Fax **01482 840082**
email enquiry@swiftgroup.co.uk

For more information visit
www.swiftgroup.co.uk

Issued January 2016

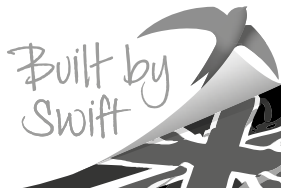
SPRITE FREEDOM, SPRITE, CHALLENGER & ECCLES

TECHNICAL HANDBOOK

FIND OUT MORE SWIFTGROUP.CO.UK

 BROCHURE
DOWNLOADS  FIND A
DEALER  FACEBOOK AND
SWIFT-TALK.CO.UK  PRODUCT VIDEOS
SWIFTTV.CO.UK

Swift reserves the right to alter specifications and prices at any time as materials and conditions demand. Please check the website for the latest updates.



Sprite Freedom Specification 2

Sprite Specification 4

Challenger Alde Specification 6

Challenger Truma Specification 8

Eccles Alde Specification 10

Eccles Truma Specification 12

Sprite Freedom - Sprite Wiring Diagrams 14

Challenger - Eccles Wiring Diagrams..... 20

Sprite Freedom Bulb chart 28

Sprite Freedom Bulb Replacement 29

Sprite Bulb chart 30

Sprite Bulb Replacement 31

Challenger - Eccles Bulb chart..... 32

Challenger - Eccles Bulb Replacement..... 33

Specification

Sprite Freedom	Freedom 6	Freedom 6TD	Freedom FB
Berths	6	6	6
Axles	1	1	2
Internal Length (bed box height)	5.60m/18'4"	5.83m/19'2"	6.27m/20'7"
Overall Width**	2.23m/7'4"	2.23m/7'4"	2.23m/7'4"
Overall Height (inc. TV Aerial)**	2.58m/8'6"	2.58m/8'6"	2.55m/8'4"
Maximum Internal Headroom	1.95m/6'5"	1.95m/6'5"	1.95m/6'5"
Overall Length**	7.25m/23'9"	7.48m/24'6"	7.92m/26'0"
Awning A/A dimension	9.99m/32'9"	10.22m/33'6"	10.66m/35'0"
Mass in Running Order (inc. tolerance)	1182kg/23.3cwt	1228kg/24.2cwt	1328kg/26.1cwt
Maximum Technical Permissible Laden Mass (Lower limit)	1355kg/26.7cwt	1404kg/27.6cwt	1508kg/29.7cwt
Maximum Technical Permissible Laden Mass (Upper limit)	1500kg/29.5cwt	1500kg/29.5cwt	1600kg/31.5cwt
Total user Payload	173kg/3.4cwt	176kg/3.5cwt	180kg/3.5cwt
Personal Effects	173kg/3.4cwt	176kg/3.5cwt	180kg/3.5cwt
Options	0.0kg/0.0cwt	0.0kg/0.0cwt	0.0kg/0.0cwt
Tyre Size	185 R14C 102Q	185 R14C 102Q	185/70 R14 88 T
Tyre pressure at Lower limit MTPLM	3.9 bar / 57 psi	4.0 bar / 58 psi	1.8 bar / 26 psi
Tyre pressure at Upper limit MTPLM	4.4 bar / 64 psi	4.4 bar / 64 psi	1.9 bar / 28 psi
Static Load on Coupling Head	100kg	100kg	100kg
Thermal Insulation Grade	THREE	THREE	THREE
Bed Sizes			
Front Double	202cm x 170cm/6'8" x 5'7"	202cm x 180cm/6'8" x 5'11"	202cm x 180cm/6'8" x 5'11"
or Front Nearside Single and Front Offside Single		190cm x 72cm/6'3" x 2'4"	180cm x 72cm/5'11" x 2'4"
Rear Double		180cm x 72cm/5'11" x 2'4"	190cm x 72cm/6'3" x 2'4"
Rear Bunk			192cm x 132cm/6'4" x 4'4"
Rear Single			
Side Single (offside)	180cm x 83cm/5'11" x 2'9"		180cm x 62cm/5'11" x 2'0"
Side Single (nearside)		180cm x 67cm/5'11" x 2'2"	
Side Bunk (offside)	176cm x 59cm/5'9" x 1'11"		176cm x 59cm/5'9" x 1'11"
Side Bunk (nearside)		176cm x 59cm/5'9" x 1'11"	
Rear Fixed Lower Bunk			
Rear Fixed Mid Bunk			
Rear Fixed Upper Bunk			
Side Fixed Lower Bunk	183cm x 57cm/6'0" x 1'10"	183cm x 57cm/6'0" x 1'10"	
Side Fixed Mid Bunk			
Side Fixed Upper Bunk	183cm x 57cm/6'0" x 1'10"	183cm x 57cm/6'0" x 1'10"	

Masses: The masses are calculated in accordance to EU regulation 1230/2012 and NCC code of practice 304.

The Mass in Running Order (MRO) comprises:

1. The mass of the empty caravan as supplied by Swift including loose items such as the hook-up cable, kit bag, entrance step, manuals etc.
2. 10kg allowance for LPG

The MRO is calculated with the fresh water tank, toilet flush tank and water heater empty. If you travel with water in the fresh water tank, toilet flush tank and water heater the payload will be reduced accordingly.

The personal effects is based on the number of berths and the length of the caravan and includes an allowance of 20kg for a leisure battery.

The Maximum Technical Laden Mass (MTPLM) is the maximum mass allowed when the caravan is fully laden.

WARNING: Under no circumstances should the MTPLM be exceeded

Bed Sizes : Please note that the front double bed sizes quoted are for seating configurations without chest of drawers. The front double bed width for a layout with a chest of drawers fitted will be reduced by 0.4m(1'4") from that stated.

Awning sizes: Due to varying awning designs and sizes the awning sizes given are approximate only. Specific awning sizes must be confirmed by your dealer or awning manufacturer prior to purchase.

*Estimated weight

** The dimensions given are approximate due to slight variations in suspension ride heights, loading conditions and tyre pressures.

Customers should verify the actual dimensions of their touring caravan before committing to anything that could be impacted by these dimensions

Please note: Any dealer fit options will reduce the overall payload available to the user of the caravan.

If you require additional payload it is possible to upgrade the MTPLM to the upper limit. Please contact your caravan dealer for more information.

Specification

Sprite	Alpine 2	Alpine 4	Major 4 SB
Berths	2	4	4
Axles	1	1	1
Internal Length (bed box height)	4.34m/14'3"	4.74m/15'7"	5.83m/19'2"
Overall Width**	2.23m/7'4"	2.23m/7'4"	2.23m/7'4"
Overall Height (inc. TV Aerial)**	2.67m/8'9"	2.67m/8'9"	2.68m/8'9"
Maximum Internal Headroom	1.95m/6'5"	1.95m/6'5"	1.95m/6'5"
Overall Length**	5.99m/19'8"	6.39m/21'0"	7.48m/24'6"
Awning A/A dimension	8.73m/28'8"	9.14m/30'0"	10.22m/33'6"
Mass in Running Order (inc. tolerance)	1025kg/20.2cwt	1054kg/20.7cwt	1214kg/23.9cwt
Maximum Technical Permissible Laden Mass (Lower limit)	1191kg/23.4cwt	1244kg/24.5cwt	1415kg/27.9cwt
Maximum Technical Permissible Laden Mass (Upper limit)	1250kg/24.6cwt	1300kg/25.6cwt	1500kg/29.5cwt
Total user Payload	166kg/3.3cwt	190kg/3.7cwt	201kg/4.0cwt
Personal Effects	121kg/2.4cwt	145kg/2.9cwt	156kg/3.1cwt
Options	45kg/0.9cwt	45kg/0.9cwt	45kg/0.9cwt
Tyre Size	185 R14C 102Q	185 R14C 102Q	185 R14C 102Q
Tyre pressure at Lower limit MTPLM	3.3 bar / 48 psi	3.5 bar / 51 psi	4.1 bar / 59 psi
Tyre pressure at Upper limit MTPLM	3.5 bar / 51 psi	3.7 bar / 54 psi	4.4 bar / 64 psi
Static Load on Coupling Head	100kg	100kg	100kg
Thermal Insulation Grade	THREE	THREE	THREE
Bed Sizes			
Front Double	202cm x 180cm/6'8" x 5'11"	202cm x 128cm/6'8" x 4'2"	202cm x 159cm/6'8" x 5'3"
or Front Nearside Single	190cm x 72cm/6'3" x 2'4"		159cm x 72cm/5'3" x 2'4"
and Front Offside Single	180cm x 72cm/5'11" x 2'4"		159cm x 72cm/5'3" x 2'4"
Rear Double		189cm x 132cm/6'2" x 4'4"	185cm x 133cm/6'1" x 4'4"
Rear Bunk			
Rear Single			
Side Single (offside)			
Side Single (nearside)			
Side Bunk (offside)			
Side Bunk (nearside)			
Rear Fixed Lower Bunk			
Rear Fixed Mid Bunk			
Rear Fixed Upper Bunk			
Side Fixed Lower Bunk			
Side Fixed Mid Bunk			
Side Fixed Upper Bunk			

Masses: The masses are calculated in accordance to EU regulation 1230/2012 and NCC code of practice 304.

The Mass in Running Order (MRO) comprises:

1. The mass of the empty caravan as supplied by Swift including loose items such as the hook-up cable, kit bag, entrance step, manuals etc.
2. 10kg allowance for LPG

The MRO is calculated with the fresh water tank, toilet flush tank and water heater empty. If you travel with water in the fresh water tank, toilet flush tank and water heater the payload will be reduced accordingly.

The personal effects is based on the number of berths and the length of the caravan and includes an allowance of 20kg for a leisure battery.

The Maximum Technical Laden Mass (MTPLM) is the maximum mass allowed when the caravan is fully laden.

WARNING: Under no circumstances should the MTPLM be exceeded

Major 4 FB	Major 6	Major 6 TD	Quattro EW	Quattro FB
4	6	6	6	6
1	1	1	2	2
5.29m/17'4"	5.60m/18'4"	5.83m/19'2"	6.27m/20'7"	6.27m/20'7"
2.23m/7'4"	2.23m/7'4"	2.23m/7'4"	2.23m/7'4"	2.23m/7'4"
2.68m/8'9"	2.68m/8'9"	2.68m/8'9"	2.65m/8'8"	2.65m/8'8"
1.95m/6'5"	1.95m/6'5"	1.95m/6'5"	1.95m/6'5"	1.95m/6'5"
6.93m/22'9"	7.25m/23'9"	7.48m/24'6"	7.92m/26'0"	7.92m/26'0"
9.68m/31'9"	9.99m/32'9"	10.22m/33'6"	10.66m/35'0"	10.66m/35'0"
1145kg/22.5cwt	1227kg/24.2cwt	1268kg/25.0cwt	1369kg/26.9cwt	1363kg/26.8cwt
1340kg/26.4cwt	1445kg/28.4cwt	1489kg/29.3cwt	1594kg/31.4cwt	1588kg/31.3cwt
1350kg/26.6cwt	1500kg/29.5cwt	1500kg/29.5cwt	1800kg/35.4cwt	1800kg/35.4cwt
195kg/3.8cwt	218kg/4.3cwt	221kg/4.4cwt	225kg/4.4cwt	225kg/4.4cwt
150kg/3.0cwt	173kg/3.4cwt	176kg/3.5cwt	180kg/3.5cwt	180kg/3.5cwt
45kg/0.9cwt	45kg/0.9cwt	45kg/0.9cwt	45kg/0.9cwt	45kg/0.9cwt
185 R14C 102Q	185 R14C 102Q	185 R14C 102Q	185/70 R14 88T	185/70 R14 88T
3.8 bar / 55 psi	4.1 bar / 59 psi	4.3 bar / 62 psi	1.9 bar / 28 psi	1.9 bar / 28 psi
3.8 bar / 55 psi	4.4 bar / 64 psi	4.4 bar / 64 psi	2.2 bar / 32 psi	2.2 bar / 32 psi
100kg	100kg	100kg	100kg	100kg
THREE	THREE	THREE	THREE	THREE
202cm x 142cm/6'8" x 4'8"	202cm x 170cm/6'8" x 5'7"	202cm x 180cm/6'8" x 5'11"	206cm x 134cm/6'9" x 4'5"	202cm x 180cm/6'8" x 5'11"
		190cm x 72cm/6'3" x 2'4"		180cm x 72cm/5'11" x 2'4"
		180cm x 72cm/5'11" x 2'4"		190cm x 72cm/6'3" x 2'4"
192cm x 132cm/6'4" x 4'4"			194cm x 132cm/6'4" x 4'4"	192cm x 132cm/6'4" x 4'4"
			180cm x 62cm/5'11" x 2'0"	180cm x 62cm/5'11" x 2'0"
	180cm x 83cm/5'11" x 2'9"			
		180cm x 67cm/5'11" x 2'2"		
	176cm x 59cm/5'9" x 1'11"		176cm x 59cm/5'9" x 1'11"	176cm x 59cm/5'9" x 1'11"
		176cm x 59cm/5'9" x 1'11"		
	183cm x 57cm/6'0" x 1'10"	183cm x 57cm/6'0" x 1'10"		
	183cm x 57cm/6'0" x 1'10"	183cm x 57cm/6'0" x 1'10"		

Bed Sizes: Please note that the front double bed sizes quoted are for seating configurations without chest of drawers. The front double bed width for a layout with a chest of drawers fitted will be reduced by 0.4m(1'4") from that stated.

Awning sizes: Due to varying awning designs and sizes the awning sizes given are approximate only. Specific awning sizes must be confirmed by your dealer or awning manufacturer prior to purchase.

*Estimated weight

** The dimensions given are approximate due to slight variations in suspension ride heights, loading conditions and tyre pressures.

Customers should verify the actual dimensions of their touring caravan before committing to anything that could be impacted by these dimensions

Please note: Any dealer fit options will reduce the overall payload available to the user of the caravan.

If you require additional payload it is possible to upgrade the MTPLM to the upper limit. Please contact your caravan dealer for more information.

Specification

Challenger (Alde heating)	Challenger 480	Challenger 510	Challenger 530
Berths	2	4	4
Axles	1	1	1
Internal Length (bed box height)	4.40m/14'5"	5.23m/17'2"	5.29m/17'4"
Overall Width**	2.23m/7'4"	2.23m/7'4"	2.23m/7'4"
Overall Height (inc. TV Aerial)**	2.61m/8'7"	2.61m/8'7"	2.61m/8'7"
Maximum Internal Headroom	1.95m/6'5"	1.95m/6'5"	1.95m/6'5"
Overall Length**	6.11m/20'1"	6.94m/22'9"	7.00m/23'0"
Awning A/A dimension	8.77m/28'9"	9.60m/31'6"	9.66m/31'8"
Mass in Running Order (inc. tolerance)	1177kg/23.2cwt	1282kg/25.2cwt	1323kg/26.0cwt
Maximum Technical Permissible Laden Mass (Lower limit)	1299kg/25.6cwt	1433kg/28.2cwt	1474kg/29.0cwt
Maximum Technical Permissible Laden Mass (Upper limit)	1350kg/26.6cwt	1500kg/29.5cwt	1500kg/29.5cwt
Total user Payload	122kg/2.4cwt	150kg/3.0cwt	151kg/3.0cwt
Personal Effects	122kg/2.4cwt	150kg/3.0cwt	151kg/3.0cwt
Options	0.0kg/0.0cwt	0.0kg/0.0cwt	0.0kg/0.0cwt
Tyre Size	185 R14C 102Q	185 R14C 102Q	185 R14C 102Q
Tyre pressure at Lower limit MTPLM	3.7 bar / 54 psi	4.1 bar / 59 psi	4.3 bar / 62 psi
Tyre pressure at Upper limit MTPLM	3.8 bar / 55 psi	4.4 bar / 64 psi	4.4 bar / 64 psi
Static Load on Coupling Head	100kg	100kg	100kg
Thermal Insulation Grade	THREE	THREE	THREE
Bed Sizes			
Front Double	202cm x 176cm/6'8" x 5'9"	202cm x 149cm/6'8" x 4'11"	202cm x 176cm/6'8" x 5'9"
or Front Nearside Single	186cm x 72cm/6'1" x 2'4"	149cm x 72cm/4'11" x 2'4"	176cm x 72cm/5'9" x 2'4"
and Front Offside Single	176cm x 72cm/5'9" x 2'4"	156cm x 72cm/5'1" x 2'4"	186cm x 72cm/6'1" x 2'4"
Rear Double		198cm x 130cm/6'6" x 4'3"	
Rear Bunk			
Rear Single			
Side Single (offside)			180cm x 62cm/5'11" x 2'0"
Side Single (nearside)			
Side Bunk (offside)			176cm x 59cm/5'9" x 1'11"
Side Bunk (nearside)			
Rear Fixed Lower Bunk			
Rear Fixed Mid Bunk			
Rear Fixed Upper Bunk			
Side Fixed Lower Bunk			
Side Fixed Mid Bunk			
Side Fixed Upper Bunk			

Masses: The masses are calculated in accordance to EU regulation 1230/2012 and NCC code of practice 304.

The Mass in Running Order (MRO) comprises:

1. The mass of the empty caravan as supplied by Swift including loose items such as the hook-up cable, kit bag, entrance step, manuals etc.
2. 10kg allowance for LPG

The MRO is calculated with the fresh water tank, toilet flush tank and water heater empty. If you travel with water in the fresh water tank, toilet flush tank and water heater the payload will be reduced accordingly.

The personal effects is based on the number of berths and the length of the caravan and includes an allowance of 20kg for a leisure battery.

The Maximum Technical Laden Mass (MTPLM) is the maximum mass allowed when the caravan is fully laden.

WARNING: Under no circumstances should the MTPLM be exceeded

Challenger 565	Challenger 570	Challenger 580	Challenger 590	Challenger 640
4	4	4	6	6
1	1	1	1	2
5.60m/18'4"	5.60m/18'4"	5.83m/19'2"	5.83m/19'2"	6.27m/20'7"
2.23m/7'4"	2.23m/7'4"	2.23m/7'4"	2.23m/7'4"	2.23m/7'4"
2.61m/8'7"	2.61m/8'7"	2.61m/8'7"	2.61m/8'7"	2.61m/8'7"
1.95m/6'5"	1.95m/6'5"	1.95m/6'5"	1.95m/6'5"	1.95m/6'5"
7.31m/24'0"	7.31m/24'0"	7.54m/24'9"	7.54m/24'9"	7.98m/26'2"
9.97m/32'9"	9.97m/32'9"	10.20m/33'6"	10.20m/33'6"	10.64m/34'11"
1341kg/26.4cwt	1321kg/26.0cwt	1364kg/26.8cwt	1440kg/28.3cwt	1577kg/31.0cwt
1495kg/29.4cwt	1475kg/29.0cwt	1520kg/29.9cwt	1616kg/31.8cwt	1757kg/34.6cwt
1550kg/30.5cwt	1550kg/30.5cwt	1550kg/30.5cwt	1650kg/32.5cwt	1900kg/37.4cwt
154kg/3.0cwt	154kg/3.0cwt	156kg/3.1cwt	176kg/3.5cwt	180kg/3.5cwt
154kg/3.0cwt	154kg/3.0cwt	156kg/3.1cwt	176kg/3.5cwt	180kg/3.5cwt
0.0kg/0.0cwt	0.0kg/0.0cwt	0.0kg/0.0cwt	0.0kg/0.0cwt	0.0kg/0.0cwt
185 R14C 102Q	185 R14C 102Q	185 R14C 102Q	195/70 R15C 104R	185/70 R14 88T
4.4 bar / 64 psi	4.3 bar / 62 psi	4.4 bar / 64 psi	4.4 bar / 64 psi	2.1 bar / 30 psi
4.5 bar / 65 psi	4.5 bar / 65 psi	4.5 bar / 65 psi	4.5 bar / 65 psi	2.3 bar / 33 psi
100kg	100kg	100kg	100kg	100kg
THREE	THREE	THREE	THREE	THREE
Bed Sizes				
202cm x 156cm/6'8" x 5'1"	202cm x 156cm/6'8" x 5'1"	202cm x 156cm/6'8" x 5'1"	202cm x 176cm/6'8" x 5'9"	202cm x 176cm/6'8" x 5'9"
156cm x 72cm/5'1" x 2'4"	156cm x 72cm/5'1" x 2'4"	156cm x 72cm/5'1" x 2'4"	186cm x 72cm/6'1" x 2'4"	186cm x 72cm/6'1" x 2'4"
156cm x 72cm/5'1" x 2'4"	156cm x 72cm/5'1" x 2'4"	156cm x 72cm/5'1" x 2'4"	176cm x 72cm/5'9" x 2'4"	176cm x 72cm/5'9" x 2'4"
	191cm x 130cm/6'3" x 4'3"	185cm x 133cm/6'1" x 4'4"		202cm x 133cm/6'8" x 4'4"
192cm x 68cm/6'4" x 2'3"				186cm x 64cm/6'1" x 2'1"
183cm x 73cm/6'0" x 2'5"			178cm x 62cm/5'10" x 2'0"	176cm x 64cm/5'9" x 2'1"
				173cm x 59cm/5'8" x 1'11"
			169cm x 59cm/5'7" x 1'11"	163cm x 59cm/5'4" x 1'11"
			181cm x 57cm/5'11" x 1'10"	
			181cm x 57cm/5'11" x 1'10"	

Bed Sizes: Please note that the front double bed sizes quoted are for seating configurations without chest of drawers. The front double bed width for a layout with a chest of drawers fitted will be reduced by 0.4m(1'4") from that stated.

Awning sizes: Due to varying awning designs and sizes the awning sizes given are approximate only. Specific awning sizes must be confirmed by your dealer or awning manufacturer prior to purchase.

*Estimated weight

** The dimensions given are approximate due to slight variations in suspension ride heights, loading conditions and tyre pressures.

Customers should verify the actual dimensions of their touring caravan before committing to anything that could be impacted by these dimensions

Please note: Any dealer fit options will reduce the overall payload available to the user of the caravan. If you require additional payload it is possible to upgrade the MTPLM to the upper limit. Please contact your caravan dealer for more information.

Specification

Challenger (Truma heating)	Challenger 480	Challenger 510	Challenger 530
Berths	2	4	4
Axles	1	1	1
Internal Length (bed box height)	4.40m/14'5"	5.23m/17'2"	5.29m/17'4"
Overall Width**	2.23m/7'4"	2.23m/7'4"	2.23m/7'4"
Overall Height (inc. TV Aerial)**	2.61m/8'7"	2.61m/8'7"	2.61m/8'7"
Maximum Internal Headroom	1.95m/6'5"	1.95m/6'5"	1.95m/6'5"
Overall Length**	6.11m/20'1"	6.94m/22'9"	7.00m/23'0"
Awning A/A dimension	8.77m/28'9"	9.60m/31'6"	9.66m/31'8"
Mass in Running Order (inc. tolerance)	1156kg/22.8cwt	1261kg/24.8cwt	1297kg/25.5cwt
Maximum Technical Permissible Laden Mass (Lower limit)	1278kg/25.2cwt	1411kg/27.8cwt	1448kg/28.5cwt
Maximum Technical Permissible Laden Mass (Upper limit)	1350kg/26.6cwt	1500kg/29.5cwt	1500kg/29.5cwt
Total user Payload	122kg/2.4cwt	150kg/3.0cwt	151kg/3.0cwt
Personal Effects	122kg/2.4cwt	150kg/3.0cwt	151kg/3.0cwt
Options	0.0kg/0.0cwt	0.0kg/0.0cwt	0.0kg/0.0cwt
Tyre Size	185 R14C 102Q	185 R14C 102Q	185 R14C 102Q
Tyre pressure at Lower limit MTPLM	3.6 bar / 52 psi	4.1 bar / 59 psi	4.2 bar / 61 psi
Tyre pressure at Upper limit MTPLM	3.8 bar / 55 psi	4.4 bar / 64 psi	4.4 bar / 64 psi
Static Load on Coupling Head	100kg	100kg	100kg
Thermal Insulation Grade	THREE	THREE	THREE
Bed Sizes			
Front Double	202cm x 176cm/6'8" x 5'9"	202cm x 149cm/6'8" x 4'11"	202cm x 176cm/6'8" x 5'9"
or Front Nearside Single	186cm x 72cm/6'1" x 2'4"	149cm x 72cm/4'11" x 2'4"	176cm x 72cm/5'9" x 2'4"
and Front Offside Single	176cm x 72cm/5'9" x 2'4"	156cm x 72cm/5'1" x 2'4"	186cm x 72cm/6'1" x 2'4"
Rear Double		198cm x 130cm/6'6" x 4'3"	
Rear Bunk			
Rear Single			
Side Single (offside)			180cm x 62cm/5'11" x 2'0"
Side Single (nearside)			
Side Bunk (offside)			176cm x 59cm/5'9" x 1'11"
Side Bunk (nearside)			
Rear Fixed Lower Bunk			
Rear Fixed Mid Bunk			
Rear Fixed Upper Bunk			
Side Fixed Lower Bunk			
Side Fixed Mid Bunk			
Side Fixed Upper Bunk			

Masses: The masses are calculated in accordance to EU regulation 1230/2012 and NCC code of practice 304.

The Mass in Running Order (MRO) comprises:

1. The mass of the empty caravan as supplied by Swift including loose items such as the hook-up cable, kit bag, entrance step, manuals etc.
2. 10kg allowance for LPG

The MRO is calculated with the fresh water tank, toilet flush tank and water heater empty. If you travel with water in the fresh water tank, toilet flush tank and water heater the payload will be reduced accordingly.

The personal effects is based on the number of berths and the length of the caravan and includes an allowance of 20kg for a leisure battery.

The Maximum Technical Laden Mass (MTPLM) is the maximum mass allowed when the caravan is fully laden.

WARNING: Under no circumstances should the MTPLM be exceeded

Challenger 565	Challenger 570	Challenger 580	Challenger 590	Challenger 640
4	4	4	6	6
1	1	1	1	2
5.60m/18'4"	5.60m/18'4"	5.83m/19'2"	5.83m/19'2"	6.27m/20'7"
2.23m/7'4"	2.23m/7'4"	2.23m/7'4"	2.23m/7'4"	2.23m/7'4"
2.61m/8'7"	2.61m/8'7"	2.61m/8'7"	2.61m/8'7"	2.61m/8'7"
1.95m/6'5"	1.95m/6'5"	1.95m/6'5"	1.95m/6'5"	1.95m/6'5"
7.31m/24'0"	7.31m/24'0"	7.54m/24'9"	7.54m/24'9"	7.98m/26'2"
9.97m/32'9"	9.97m/32'9"	10.20m/33'6"	10.20m/33'6"	10.64m/34'11"
1320kg/26.0cwt	1300kg/25.6cwt	1333kg/26.2cwt	1419kg/27.9cwt	1556kg/30.6cwt
1474kg/29.0cwt	1454kg/28.6cwt	1489kg/29.3cwt	1600kg/31.5cwt	1736kg/34.2cwt
1500kg/29.5cwt	1500kg/29.5cwt	1500kg/29.5cwt	1600kg/31.5cwt	1900kg/37.4cwt
154kg/3.0cwt	154kg/3.0cwt	156kg/3.1cwt	176kg/3.5cwt	180kg/3.5cwt
154kg/3.0cwt	154kg/3.0cwt	156kg/3.1cwt	176kg/3.5cwt	180kg/3.5cwt
0.0kg/0.0cwt	0.0kg/0.0cwt	0.0kg/0.0cwt	0.0kg/0.0cwt	0.0kg/0.0cwt
185 R14C 102Q	185 R14C 102Q	185 R14C 102Q	195/70 R15C 104R	185/70 R14 88T
4.3 bar / 62 psi	4.2 bar / 61 psi	4.3 bar / 62 psi	4.3 bar / 62 psi	2.1 bar / 30 psi
4.4 bar / 64 psi	4.4 bar / 64 psi	4.4 bar / 64 psi	4.4 bar / 64 psi	2.3 bar / 33 psi
100kg	100kg	100kg	100kg	100kg
THREE	THREE	THREE	THREE	THREE
Bed Sizes				
202cm x 156cm/6'8" x 5'1"	202cm x 156cm/6'8" x 5'1"	202cm x 156cm/6'8" x 5'1"	202cm x 176cm/6'8" x 5'9"	202cm x 176cm/6'8" x 5'9"
156cm x 72cm/5'1" x 2'4"	156cm x 72cm/5'1" x 2'4"	156cm x 72cm/5'1" x 2'4"	186cm x 72cm/6'1" x 2'4"	186cm x 72cm/6'1" x 2'4"
156cm x 72cm/5'1" x 2'4"	156cm x 72cm/5'1" x 2'4"	156cm x 72cm/5'1" x 2'4"	176cm x 72cm/5'9" x 2'4"	176cm x 72cm/5'9" x 2'4"
	191cm x 130cm/6'3" x 4'3"	185cm x 133cm/6'1" x 4'4"		202cm x 133cm/6'8" x 4'4"
192cm x 68cm/6'4" x 2'3"				186cm x 64cm/6'1" x 2'1"
183cm x 73cm/6'0" x 2'5"			178cm x 62cm/5'10" x 2'0"	176cm x 64cm/5'9" x 2'1"
				173cm x 59cm/5'8" x 1'11"
			169cm x 59cm/5'7" x 1'11"	163cm x 59cm/5'4" x 1'11"
			181cm x 57cm/5'11" x 1'10"	
			181cm x 57cm/5'11" x 1'10"	

Bed Sizes: Please note that the front double bed sizes quoted are for seating configurations without chest of drawers. The front double bed width for a layout with a chest of drawers fitted will be reduced by 0.4m(1'4") from that stated.

Awning sizes: Due to varying awning designs and sizes the awning sizes given are approximate only. Specific awning sizes must be confirmed by your dealer or awning manufacturer prior to purchase.

*Estimated weight

** The dimensions given are approximate due to slight variations in suspension ride heights, loading conditions and tyre pressures.

Customers should verify the actual dimensions of their touring caravan before committing to anything that could be impacted by these dimensions

Please note: Any dealer fit options will reduce the overall payload available to the user of the caravan. If you require additional payload it is possible to upgrade the MTPLM to the upper limit. Please contact your caravan dealer for more information.

Specification

Eccles (Alde heating)	Eccles 480	Eccles 510	Eccles 530
Berths	2	4	4
Axles	1	1	1
Internal Length (bed box height)	4.40m/14'5"	5.23m/17'2"	5.29m/17'4"
Overall Width**	2.23m/7'4"	2.23m/7'4"	2.23m/7'4"
Overall Height (inc. TV Aerial)**	2.61m/8'7"	2.61m/8'7"	2.61m/8'7"
Maximum Internal Headroom	1.95m/6'5"	1.95m/6'5"	1.95m/6'5"
Overall Length**	6.11m/20'1"	6.94m/22'9"	7.00m/23'0"
Awning A/A dimension	8.77m/28'9"	9.60m/31'6"	9.66m/31'8"
Mass in Running Order (inc. tolerance)	1186kg/23.3cwt	1280kg/25.2cwt	1332kg/26.2cwt
Maximum Technical Permissible Laden Mass (Lower limit)	1308kg/25.7cwt	1430kg/28.1cwt	1483kg/29.2cwt
Maximum Technical Permissible Laden Mass (Upper limit)	1350kg/26.6cwt	1500kg/29.5cwt	1500kg/29.5cwt
Total user Payload	122kg/2.4cwt	150kg/3.0cwt	151kg/3.0cwt
Personal Effects	122kg/2.4cwt	150kg/3.0cwt	151kg/3.0cwt
Options	0.0kg/0.0cwt	0.0kg/0.0cwt	0.0kg/0.0cwt
Tyre Size	185 R14C 102Q	185 R14C 102Q	185 R14C 102Q
Tyre pressure at Lower limit MTPLM	3.7 bar / 54 psi	4.1 bar / 59 psi	4.2 bar / 61 psi
Tyre pressure at Upper limit MTPLM	3.8 bar / 55 psi	4.4 bar / 64 psi	4.4 bar / 64 psi
Static Load on Coupling Head	100kg	100kg	100kg
Thermal Insulation Grade	THREE	THREE	THREE
Bed Sizes			
Front Double	202cm x 176cm/6'8" x 5'9"	202cm x 149cm/6'8" x 4'11"	202cm x 176cm/6'8" x 5'9"
or Front Nearside Single	186cm x 72cm/6'1" x 2'4"	149cm x 72cm/4'11" x 2'4"	176cm x 72cm/5'9" x 2'4"
and Front Offside Single	176cm x 72cm/5'9" x 2'4"	156cm x 72cm/5'1" x 2'4"	186cm x 72cm/6'1" x 2'4"
Rear Double		198cm x 130cm/6'6" x 4'3"	
Rear Bunk			
Rear Single			
Side Single (offside)			180cm x 62cm/5'11" x 2'0"
Side Single (nearside)			
Side Bunk (offside)			176cm x 59cm/5'9" x 1'11"
Side Bunk (nearside)			
Rear Fixed Lower Bunk			
Rear Fixed Mid Bunk			
Rear Fixed Upper Bunk			
Side Fixed Lower Bunk			
Side Fixed Mid Bunk			
Side Fixed Upper Bunk			

Masses: The masses are calculated in accordance to EU regulation 1230/2012 and NCC code of practice 304.

The Mass in Running Order (MRO) comprises:

1. The mass of the empty caravan as supplied by Swift including loose items such as the hook-up cable, kit bag, entrance step, manuals etc.
2. 10kg allowance for LPG

The MRO is calculated with the fresh water tank, toilet flush tank and water heater empty. If you travel with water in the fresh water tank, toilet flush tank and water heater the payload will be reduced accordingly.

The personal effects is based on the number of berths and the length of the caravan and includes an allowance of 20kg for a leisure battery.

The Maximum Technical Laden Mass (MTPLM) is the maximum mass allowed when the caravan is fully laden.

WARNING: Under no circumstances should the MTPLM be exceeded

Eccles 565	Eccles 570	Eccles 580	Eccles 590	Eccles 640
4	4	4	6	6
1	1	1	1	2
5.60m/18'4"	5.60m/18'4"	5.83m/19'2"	5.83m/19'2"	6.27m/20'7"
2.23m/7'4"	2.23m/7'4"	2.23m/7'4"	2.23m/7'4"	2.23m/7'4"
2.61m/8'7"	2.61m/8'7"	2.61m/8'7"	2.61m/8'7"	2.61m/8'7"
1.95m/6'5"	1.95m/6'5"	1.95m/6'5"	1.95m/6'5"	1.95m/6'5"
7.31m/24'0"	7.31m/24'0"	7.54m/24'9"	7.54m/24'9"	7.98m/26'2"
9.97m/32'9"	9.97m/32'9"	10.20m/33'6"	10.20m/33'6"	10.64m/34'11"
1347kg/26.5cwt	1324kg/26.1cwt	1366kg/26.9cwt	1446kg/28.5cwt	1584kg/31.2cwt
1501kg/29.5cwt	1478kg/29.1cwt	1522kg/30.0cwt	1622kg/31.9cwt	1764kg/34.7cwt
1550kg/30.5cwt	1550kg/30.5cwt	1550kg/30.5cwt	1650kg/32.5cwt	1900kg/37.4cwt
154kg/3.0cwt	154kg/3.0cwt	156kg/3.1cwt	176kg/3.5cwt	180kg/3.5cwt
154kg/3.0cwt	154kg/3.0cwt	156kg/3.1cwt	176kg/3.5cwt	180kg/3.5cwt
0.0kg/0.0cwt	0.0kg/0.0cwt	0.0kg/0.0cwt	0.0kg/0.0cwt	0.0kg/0.0cwt
185 R14C 102Q	185 R14C 102Q	185 R14C 102Q	195/70 R15C 104R	185/70 R14 88T
4.4 bar / 64 psi	4.3 bar / 62 psi	4.4 bar / 64 psi	4.4 bar / 64 psi	2.1 bar / 30 psi
4.5 bar / 65 psi	4.5 bar / 65 psi	4.5 bar / 65 psi	4.5 bar / 65 psi	2.3 bar / 33 psi
100kg	100kg	100kg	100kg	100kg
THREE	THREE	THREE	THREE	THREE
202cm x 156cm/6'8" x 5'1"	202cm x 156cm/6'8" x 5'1"	202cm x 156cm/6'8" x 5'1"	202cm x 176cm/6'8" x 5'9"	202cm x 176cm/6'8" x 5'9"
156cm x 72cm/5'1" x 2'4"	156cm x 72cm/5'1" x 2'4"	156cm x 72cm/5'1" x 2'4"	186cm x 72cm/6'1" x 2'4"	186cm x 72cm/6'1" x 2'4"
156cm x 72cm/5'1" x 2'4"	156cm x 72cm/5'1" x 2'4"	156cm x 72cm/5'1" x 2'4"	176cm x 72cm/5'9" x 2'4"	176cm x 72cm/5'9" x 2'4"
	191cm x 130cm/6'3" x 4'3"	185cm x 133cm/6'1" x 4'4"		202cm x 133cm/6'8" x 4'4"
192cm x 68cm/6'4" x 2'3"				186cm x 64cm/6'1" x 2'1"
183cm x 73cm/6'0" x 2'5"			178cm x 62cm/5'10" x 2'0"	176cm x 64cm/5'9" x 2'1"
				173cm x 59cm/5'8" x 1'11"
			169cm x 59cm/5'7" x 1'11"	163cm x 59cm/5'4" x 1'11"
			181cm x 57cm/5'11" x 1'10"	
			181cm x 57cm/5'11" x 1'10"	

Bed Sizes: Please note that the front double bed sizes quoted are for seating configurations without chest of drawers. The front double bed width for a layout with a chest of drawers fitted will be reduced by 0.4m(1'4") from that stated.

Awning sizes: Due to varying awning designs and sizes the awning sizes given are approximate only. Specific awning sizes must be confirmed by your dealer or awning manufacturer prior to purchase.

*Estimated weight

** The dimensions given are approximate due to slight variations in suspension ride heights, loading conditions and tyre pressures.

Customers should verify the actual dimensions of their touring caravan before committing to anything that could be impacted by these dimensions

Please note: Any dealer fit options will reduce the overall payload available to the user of the caravan. If you require additional payload it is possible to upgrade the MTPLM to the upper limit. Please contact your caravan dealer for more information.

Specification

Eccles (Truma heating)	Eccles 480	Eccles 510	Eccles 530
Berths	2	4	4
Axles	1	1	1
Internal Length (bed box height)	4.40m/14'5"	5.23m/17'2"	5.29m/17'4"
Overall Width**	2.23m/7'4"	2.23m/7'4"	2.23m/7'4"
Overall Height (inc. TV Aerial)**	2.61m/8'7"	2.61m/8'7"	2.61m/8'7"
Maximum Internal Headroom	1.95m/6'5"	1.95m/6'5"	1.95m/6'5"
Overall Length**	6.11m/20'1"	6.94m/22'9"	7.00m/23'0"
Awning A/A dimension	8.77m/28'9"	9.60m/31'6"	9.66m/31'8"
Mass in Running Order (inc. tolerance)	1165kg/22.9cwt	1257kg/24.7cwt	1311kg/25.8cwt
Maximum Technical Permissible Laden Mass (Lower limit)	1287kg/25.3cwt	1407kg/27.7cwt	1462kg/28.8cwt
Maximum Technical Permissible Laden Mass (Upper limit)	1350kg/26.6cwt	1500kg/29.5cwt	1500kg/29.5cwt
Total user Payload	122kg/2.4cwt	150kg/3.0cwt	151kg/3.0cwt
Personal Effects	122kg/2.4cwt	150kg/3.0cwt	151kg/3.0cwt
Options	0.0kg/0.0cwt	0.0kg/0.0cwt	0.0kg/0.0cwt
Tyre Size	185 R14C 102Q	185 R14C 102Q	185 R14C 102Q
Tyre pressure at Lower limit MTPLM	3.6 bar / 52 psi	4.0 bar / 58 psi	4.3 bar / 62 psi
Tyre pressure at Upper limit MTPLM	3.8 bar / 55 psi	4.4 bar / 64 psi	4.4 bar / 64 psi
Static Load on Coupling Head	100kg	100kg	100kg
Thermal Insulation Grade	THREE	THREE	THREE
Bed Sizes			
Front Double	202cm x 176cm/6'8" x 5'9"	202cm x 149cm/6'8" x 4'11"	202cm x 176cm/6'8" x 5'9"
or Front Nearside Single	186cm x 72cm/6'1" x 2'4"	149cm x 72cm/4'11" x 2'4"	176cm x 72cm/5'9" x 2'4"
and Front Offside Single	176cm x 72cm/5'9" x 2'4"	156cm x 72cm/5'1" x 2'4"	186cm x 72cm/6'1" x 2'4"
Rear Double		198cm x 130cm/6'6" x 4'3"	
Rear Bunk			
Rear Single			
Side Single (offside)			180cm x 62cm/5'11" x 2'0"
Side Single (nearside)			
Side Bunk (offside)			176cm x 59cm/5'9" x 1'11"
Side Bunk (nearside)			
Rear Fixed Lower Bunk			
Rear Fixed Mid Bunk			
Rear Fixed Upper Bunk			
Side Fixed Lower Bunk			
Side Fixed Mid Bunk			
Side Fixed Upper Bunk			

Masses: The masses are calculated in accordance to EU regulation 1230/2012 and NCC code of practice 304.

The Mass in Running Order (MRO) comprises:

1. The mass of the empty caravan as supplied by Swift including loose items such as the hook-up cable, kit bag, entrance step, manuals etc.
2. 10kg allowance for LPG

The MRO is calculated with the fresh water tank, toilet flush tank and water heater empty. If you travel with water in the fresh water tank, toilet flush tank and water heater the payload will be reduced accordingly.

The personal effects is based on the number of berths and the length of the caravan and includes an allowance of 20kg for a leisure battery.

The Maximum Technical Laden Mass (MTPLM) is the maximum mass allowed when the caravan is fully laden.

WARNING: Under no circumstances should the MTPLM be exceeded

Eccles 565	Eccles 570	Eccles 580	Eccles 590	Eccles 640
4	4	4	6	6
1	1	1	1	2
5.60m/18'4"	5.60m/18'4"	5.83m/19'2"	5.83m/19'2"	6.27m/20'7"
2.23m/7'4"	2.23m/7'4"	2.23m/7'4"	2.23m/7'4"	2.23m/7'4"
2.61m/8'7"	2.61m/8'7"	2.61m/8'7"	2.61m/8'7"	2.61m/8'7"
1.95m/6'5"	1.95m/6'5"	1.95m/6'5"	1.95m/6'5"	1.95m/6'5"
7.31m/24'0"	7.31m/24'0"	7.54m/24'9"	7.54m/24'9"	7.98m/26'2"
9.97m/32'9"	9.97m/32'9"	10.20m/33'6"	10.20m/33'6"	10.64m/34'11"
1325kg/26.1cwt	1303kg/25.6cwt	1344kg/26.5cwt	1424kg/28.0cwt	1563kg/30.8cwt
1479kg/29.1cwt	1457kg/28.7cwt	1500kg/29.5cwt	1600kg/31.5cwt	1743kg/34.3cwt
1500kg/29.5cwt	1500kg/29.5cwt	1500kg/29.5cwt	1600kg/31.5cwt	1900kg/37.4cwt
154kg/3.0cwt	154kg/3.0cwt	156kg/3.1cwt	176kg/3.5cwt	180kg/3.5cwt
154kg/3.0cwt	154kg/3.0cwt	156kg/3.1cwt	176kg/3.5cwt	180kg/3.5cwt
0.0kg/0.0cwt	0.0kg/0.0cwt	0.0kg/0.0cwt	0.0kg/0.0cwt	0.0kg/0.0cwt
185 R14C 102Q	185 R14C 102Q	185 R14C 102Q	195/70 R15C 104R	185/70 R14 88T
4.3 bar / 62 psi	4.2 bar / 61 psi	4.3 bar / 62 psi	4.3 bar / 62 psi	2.1 bar / 30 psi
4.4 bar / 64 psi	4.4 bar / 64 psi	4.4 bar / 64 psi	4.4 bar / 64 psi	2.3 bar / 33 psi
100kg	100kg	100kg	100kg	100kg
THREE	THREE	THREE	THREE	THREE
202cm x 156cm/6'8" x 5'1"	202cm x 156cm/6'8" x 5'1"	202cm x 156cm/6'8" x 5'1"	202cm x 176cm/6'8" x 5'9"	202cm x 176cm/6'8" x 5'9"
156cm x 72cm/5'1" x 2'4"	156cm x 72cm/5'1" x 2'4"	156cm x 72cm/5'1" x 2'4"	186cm x 72cm/6'1" x 2'4"	186cm x 72cm/6'1" x 2'4"
156cm x 72cm/5'1" x 2'4"	156cm x 72cm/5'1" x 2'4"	156cm x 72cm/5'1" x 2'4"	176cm x 72cm/5'9" x 2'4"	176cm x 72cm/5'9" x 2'4"
	191cm x 130cm/6'3" x 4'3"	185cm x 133cm/6'1" x 4'4"		202cm x 133cm/6'8" x 4'4"
192cm x 68cm/6'4" x 2'3"				186cm x 64cm/6'1" x 2'1"
183cm x 73cm/6'0" x 2'5"			178cm x 62cm/5'10" x 2'0"	176cm x 64cm/5'9" x 2'1"
				173cm x 59cm/5'8" x 1'11"
			169cm x 59cm/5'7" x 1'11"	163cm x 59cm/5'4" x 1'11"
			181cm x 57cm/5'11" x 1'10"	
			181cm x 57cm/5'11" x 1'10"	

Bed Sizes: Please note that the front double bed sizes quoted are for seating configurations without chest of drawers. The front double bed width for a layout with a chest of drawers fitted will be reduced by 0.4m(1'4") from that stated.

Awning sizes: Due to varying awning designs and sizes the awning sizes given are approximate only. Specific awning sizes must be confirmed by your dealer or awning manufacturer prior to purchase.

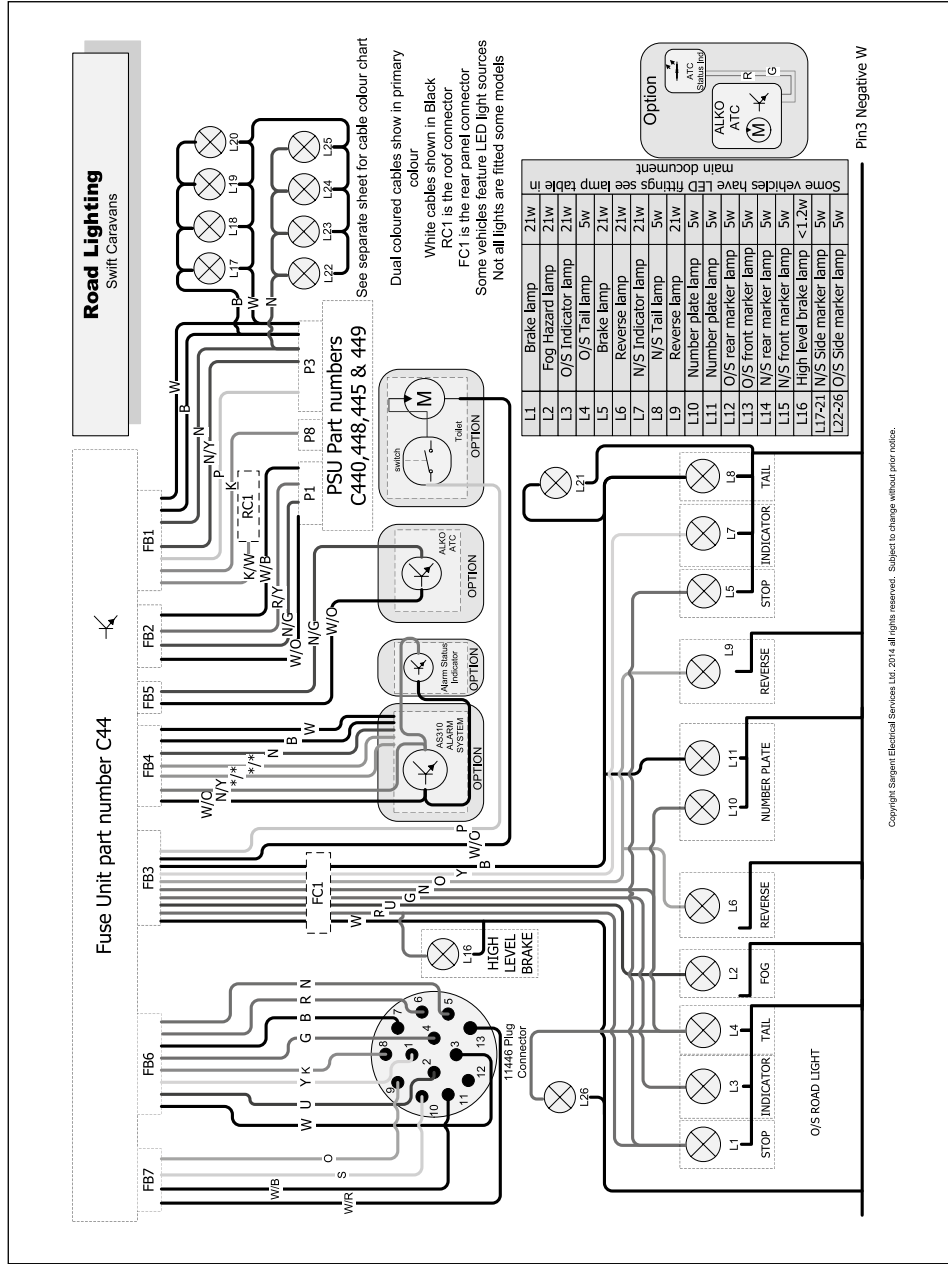
*Estimated weight

** The dimensions given are approximate due to slight variations in suspension ride heights, loading conditions and tyre pressures.

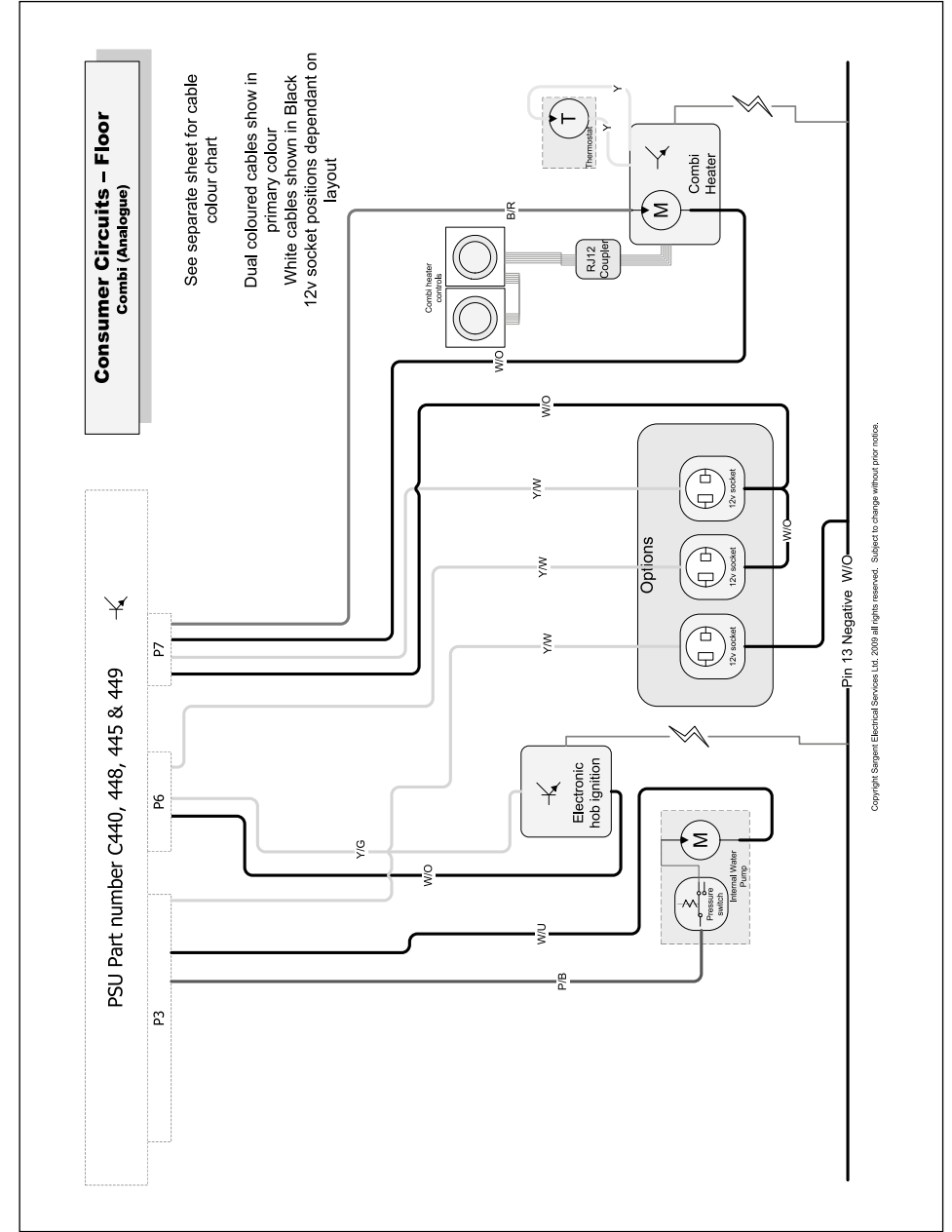
Customers should verify the actual dimensions of their touring caravan before committing to anything that could be impacted by these dimensions

Please note: Any dealer fit options will reduce the overall payload available to the user of the caravan. If you require additional payload it is possible to upgrade the MTPLM to the upper limit. Please contact your caravan dealer for more information.

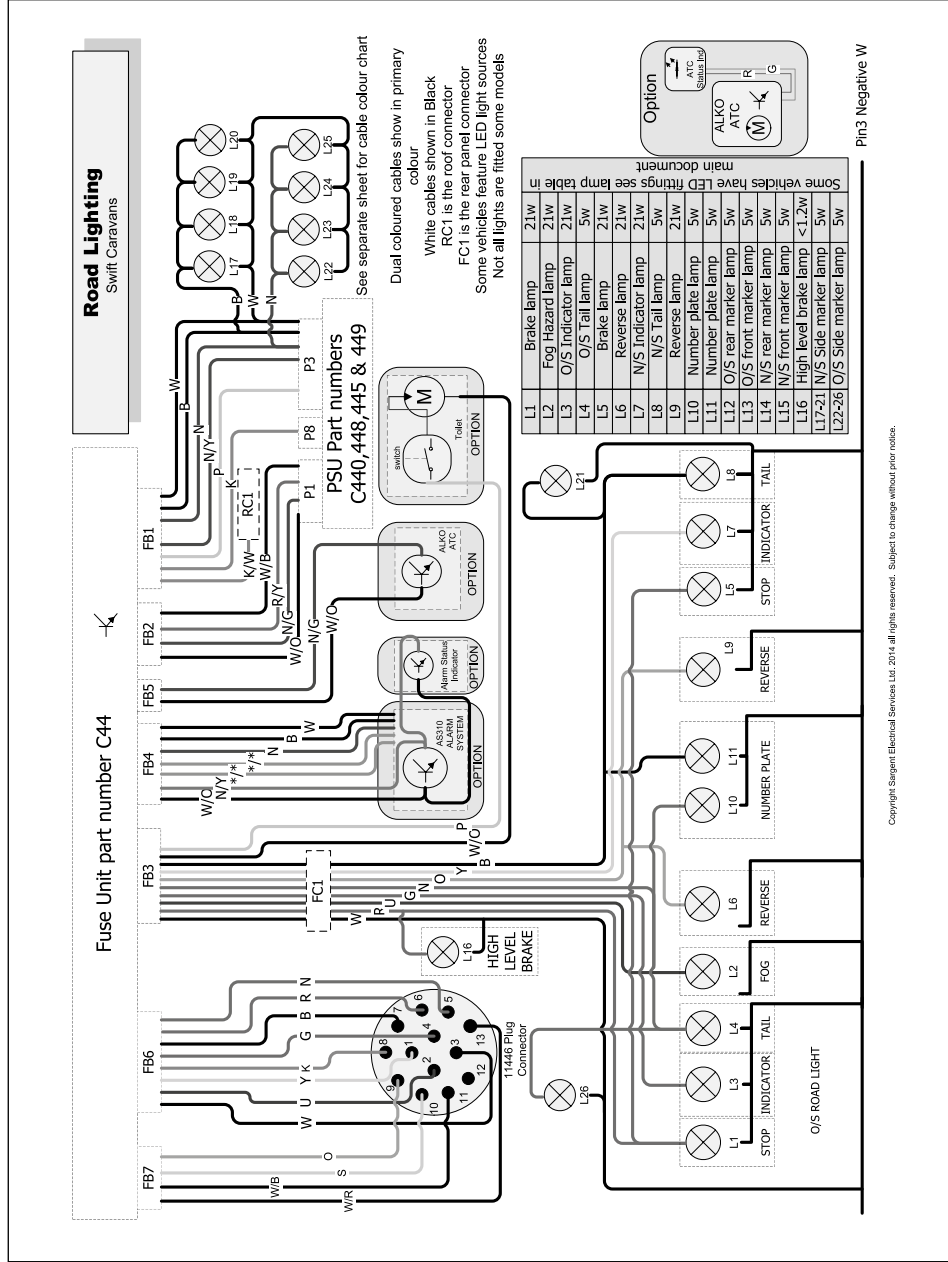
Sprite - Road lighting circuits



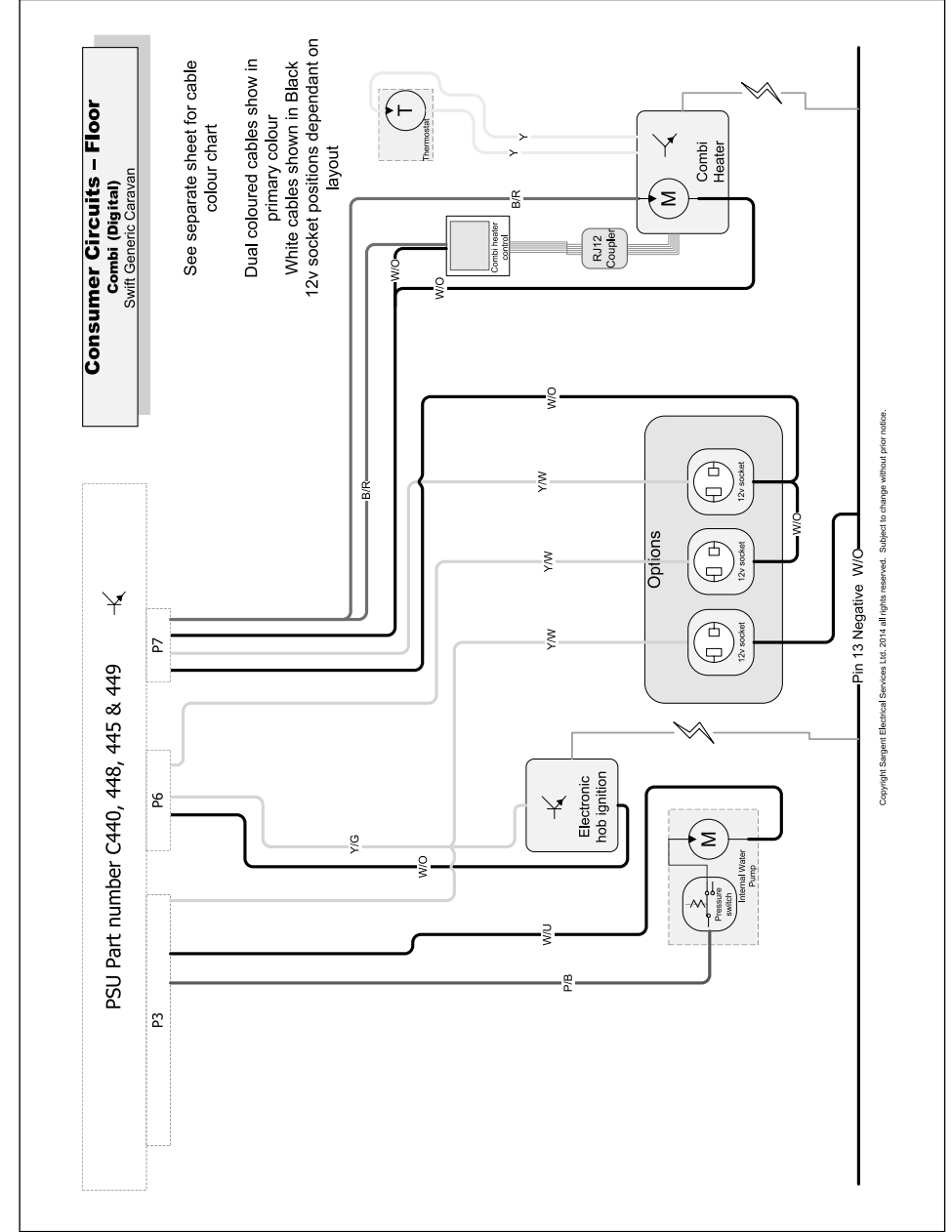
Sprite Freedom - Consumer Circuits - Floor



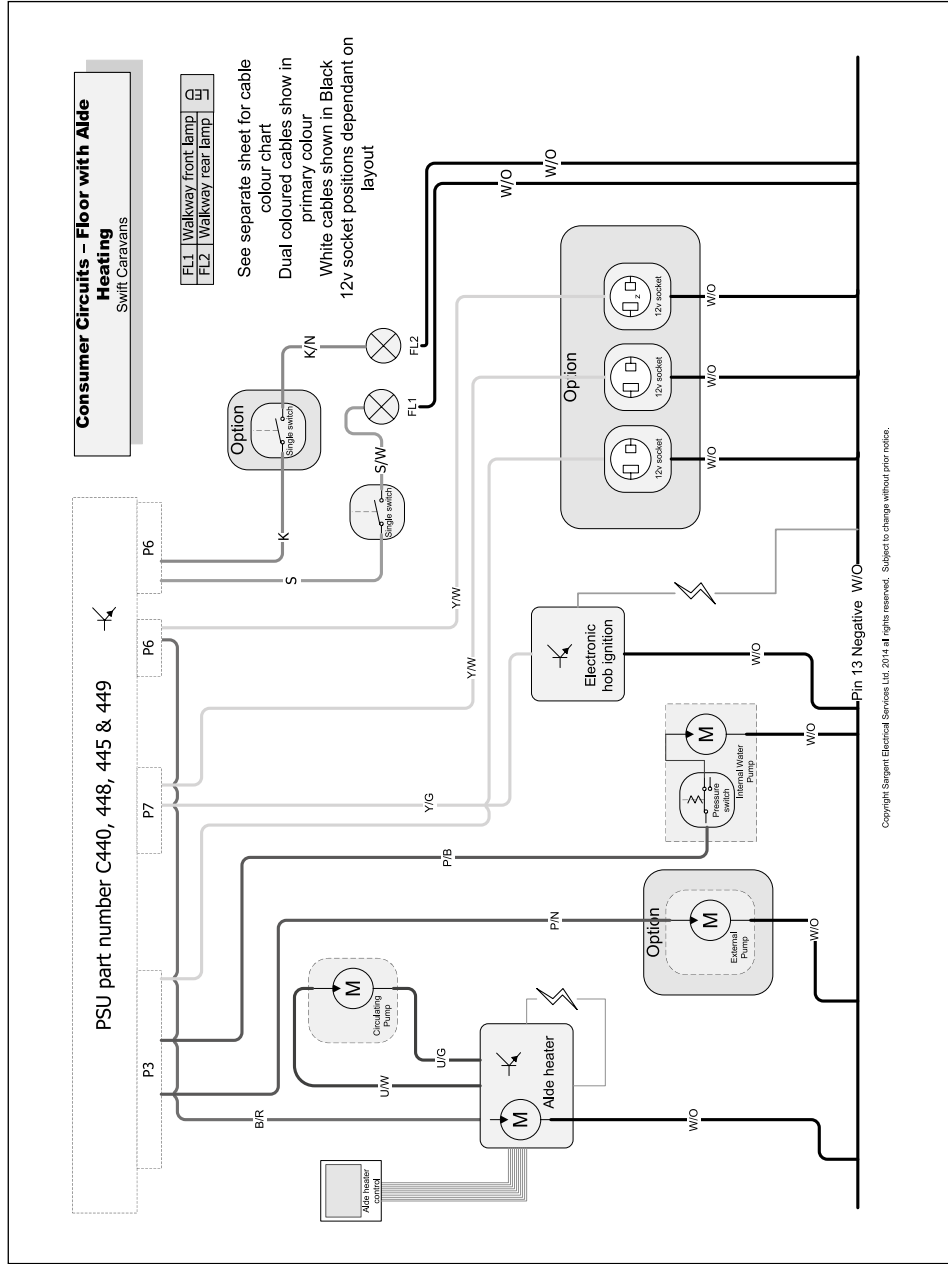
Challenger - Eccles - Road lighting circuits



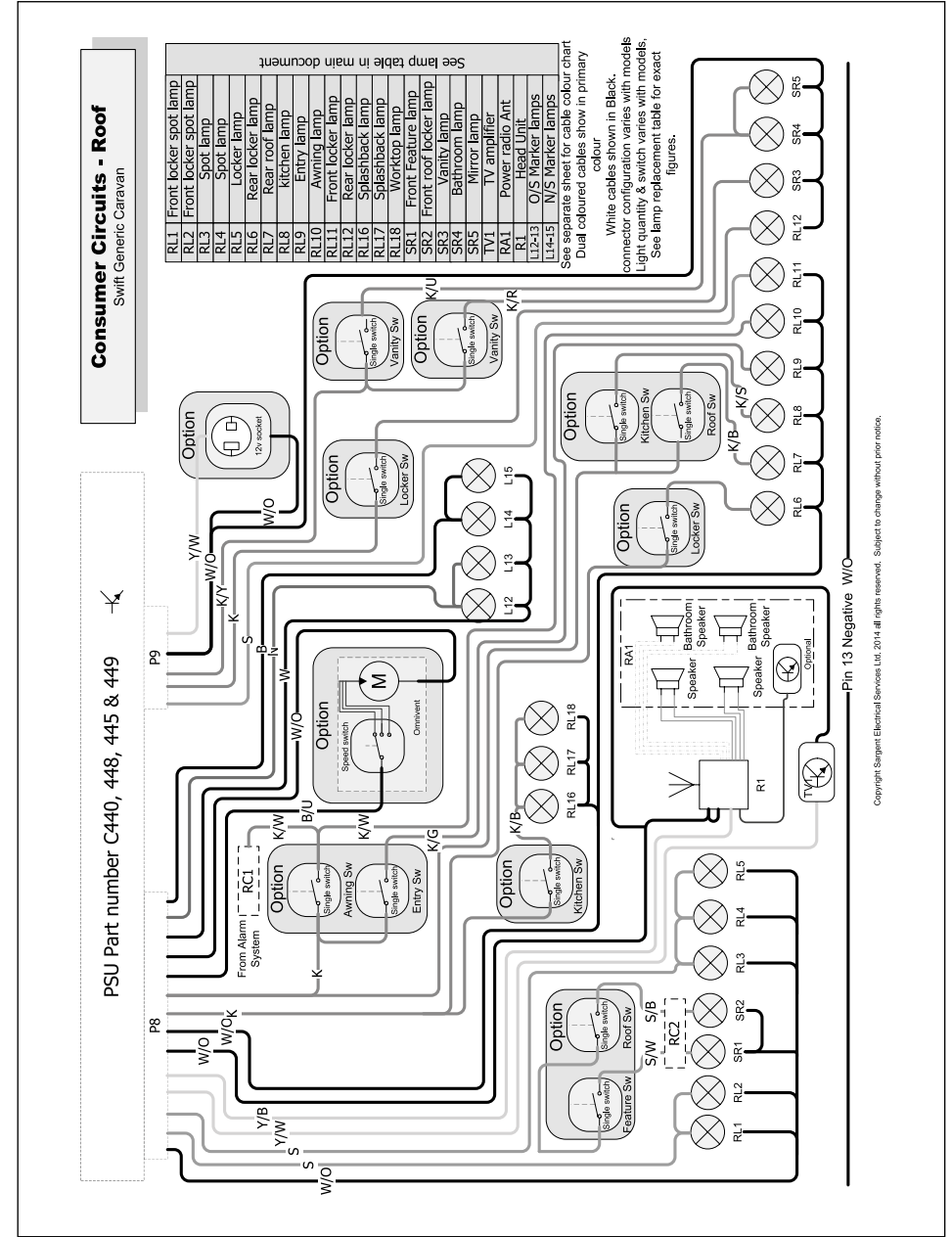
Challenger - Eccles - Consumer Circuits - Floor with Combi heating



Challenger - Eccles - Consumer Circuits - Floor with Alde heating

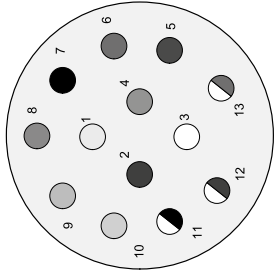


Challenger - Eccles - Roof lighting circuits



13 pin socket

ISO 11446 Circuits Swift Group Caravans (where applicable)



11446 Plug Connector viewed from cable entry on plug



It is possible to get adaptors that convert two sockets on the towbar to a single 13 pin ISO socket, and vice versa.

Connection lead from 12N 7 pin socket plus 12S 7 pin socket to 13pin Euro Socket. (Converts a vehicle with two 7 pin sockets to a caravan with a 13 pin plug)

Please be aware that some car and adaptor manufacturers don't provide the fridge power connections

Pin No	Core Colour	Core Size	Function
1	Yellow	1.5	Left Hand Indicator Light
2	Blue	1.5	Rear Fog Warning Light(s)
3	White	2.5	Earth for pins 1 - 8
4	Green	1.5	Right Hand Indicator Light
5	Brown	1.5	Right Hand Tail Light
6	Red	1.5	Brake Lights
7	Black	1.5	Left Hand Tail Light
8	Pink	1.5	Reverse Light(s)
9	Orange	2.5	Car +ve
10	Slate (Grey)	2.5	Fridge +ve
11	White/Black	2.5	Earth for pin 10
12	White/Blue	1.5	Not Yet Allocated
13	White/Red	2.5	Earth for pin 9

Copyright Sargent Electrical Services Ltd. 2014. All rights reserved. Subject to change without prior notice.

Cable colour chart



Example
Yellow cable with Blue stripe

Cable Colour Chart Swift range

12v Cable Colours

B	BLACK
N	BROWN
R	RED
O	ORANGE
Y	YELLOW
G	GREEN
U	BLUE
P	PURPLE
S	SLATE GREY
W	WHITE
K	PINK

230v Cable Colours

B	BLACK
N	BROWN
W	WHITE
O	ORANGE
Y	YELLOW
G	GREEN
U	BLUE

Copyright Sargent Electrical Services Ltd. 2014. All rights reserved. Subject to change without prior notice.

Bulb Chart

Sprite Freedom

Road Lights	Bulb type	Bulb rating
Front marker lights	W5W	12v 5W
Side marker - Low Level	W5W	12v 5W
Side marker - High Level	R5W	12v 5W
Reversing light	P21	12v 21W
Rear indicator light	P21	12v 21W
Brake / tail light	P21/5W	12v 21W/5W
Fog light	P21	12v 21W
Number plate light	C5W	12v 5W
Interior / Other Lights	Bulb type	Bulb rating
Awning lamp, LED	LED complete unit FEM0945	12v LED
Ceiling light, triple LED	LED complete unit FEM0858	12v LED
Ceiling light, White, shower area	LED complete unit S2	12v LED
Forward ceiling LED strip light	LED strip FEM0937A	12v LED
Kitchen light	LED complete unit FEM1374	12v LED
Locker spotlights	LED Complete unit FEM0854	12v LED
Downlights, small format	LED Complete unit FEM1189	12v LED
Bunk light (touch control)	LED Complete unit SMD	12v LED

Note: Not all lights and bulbs feature on all models within a range

Bulb replacement

SPRITE FREEDOM ROAD LIGHT BULB ACCESS

STOP / TAIL / INDICATOR AND REVERSE LAMPS

Bulb access is from front / via lense of each lamp.

Remove 2x screws from each light lense and withdraw lense.

Bulbs are a bayonet fitting – apply slight pressure on bulb towards light fitting, and twist to release.

Reverse procedure to re-fit bulb and lense.

Take care when replacing stop/tail lamp bulb, that orientation of bulb is correct – to check, brake light operation should be brighter than tail lamp operation.

REAR CENTRAL FOG LIGHT

Bulb access is from front / via lense of lamp.

Remove 2 x screws from light lense and withdraw lense.

Bulb is a bayonet fitting – apply slight pressure on bulb towards light fitting, and twist to release.

Reverse procedure to re-fit bulb and lense.

UPPER REAR SIDE POSITION LAMPS (RED / CLEAR LENSE)

Lense is removed from base to access bulb.

Carefully insert small flat bladed screwdriver into recess in lower edge of lamp base. Apply pressure to release locking barb.

Lift lense upwards and away from lamp base, lower edge first.

Lever bulb out of retaining clips.

Reverse procedure to re-fit bulb and lense.

NUMBER PLATE LAMPS

Bulb access is from the front / via lense of each lamp.

Remove the two screws in the lense of the lamp.

Lever the bulb out of retaining clips.

Reverse the procedure to re-fit a new bulb and the light lense.

FRONT MARKER POSITION LAMPS

Bulb access is from rear of lamp.

Remove 2 x screws from light fitting, and withdraw whole fitting from caravan front panel.

Harness plugs into bulb holder – Twist bulb holder relative to lamp body to release bulb holder from lamp body.

Bulbs are push fit into bulb holder – pull bulb directly away from holder to release.

Reverse procedure to replace bulb in holder, holder in lamp and lamp onto caravan body.

SIDE MARKER POSITION LAMPS

Bulb access is from rear of lamp.

If rear of lamp is visible from inside the caravan:

Depending on the location , a small brown plastic cover may be present covering the connections to the lamp. Remove the screws in the cover to release and access the rear of the lamp

Harness plugs into bulb holder – Twist bulb holder relative to lamp body to release bulb holder from lamp body.

Bulbs are push fit into bulb holder – pull bulb directly away from holder to release.

Reverse procedure to replace bulb in holder and holder in lamp.

If rear of light is not accessible:

Remove 2 x screws from light fitting, and withdraw whole fitting from caravan body.

Harness plugs into bulb holder – Twist bulb holder relative to lamp body to release bulb holder from lamp body.

Bulbs are push fit into bulb holder – pull bulb directly away from holder to release.

Reverse procedure to replace bulb in holder, holder in lamp and lamp onto caravan body.

Bulb Chart

Sprite

Road Lights	Bulb type	Bulb rating
Front marker lights	W5W	12v 5W
Side marker - Low Level	LED complete unit L99.01.12V	12v LED
Side marker - High Level	R5W	12v 5W
Reversing light	P21	12v 21W
Rear indicator light	P21	12v 21W
Brake / tail light	P21/5W	12v 21W/5W
High level brake light	T5/13.5	12v 2.3W
Fog light	P21	12v 21W
Number plate light	C5W	12v 5W
Interior / Other Lights	Bulb type	Bulb rating
Awning lamp, LED	LED complete unit FEM0945	12v LED
Awning lamp, LED with alarm indicator	LED complete unit FEM1225-W	12v LED
Ceiling light, triple LED	LED complete unit FEM0858	12v LED
Ceiling light, White, shower area	LED complete unit S2	12v LED
Forward ceiling LED strip light	LED strip FEM0937A	12v LED
Kitchen light	LED complete unit FEM1374	12v LED
Locker spotlights	LED Complete unit FEM0854	12v LED
Downlights, small format	LED Complete unit FEM1189	12v LED
Illuminated panel or mirror backlight	FEM-1214 flexible LED light strip (cut to length)	12v LED
Bunk light (touch control)	LED Complete unit SMD	12v LED

Note: Not all lights and bulbs feature on all models within a range

Bulb replacement

SPRITE ROAD LIGHT BULB ACCESS

STOP / TAIL / INDICATOR AND REVERSE LAMPS

Bulb access is from front / via lense of each lamp.

Remove 2 x screws from each light lense and withdraw lense.

Bulbs are a bayonet fitting – apply slight pressure on bulb towards light fitting, and twist to release.

Reverse procedure to re-fit bulb and lense.

Take care when replacing stop/tail lamp bulb, that orientation of bulb is correct – to check, brake light operation should be brighter than tail lamp operation.

REAR CENTRAL FOG LIGHT

Bulb access is from front / via lense of lamp.

Remove 2 x screws from light lense and withdraw lense.

Bulb is a bayonet fitting – apply slight pressure on bulb towards light fitting, and twist to release.

Reverse procedure to re-fit bulb and lense.

UPPER REAR SIDE POSITION LAMPS (RED / CLEAR LENSE)

Lense is removed from base to access bulb.

Carefully insert small flat bladed screwdriver into recess in lower edge of lamp base. Apply pressure to release locking barb.

Lift lense upwards and away from lamp base, lower edge first.

Lever bulb out of retaining clips.

Reverse procedure to re-fit bulb and lense.

NUMBER PLATE LAMPS

Bulb access is from the front / via lense of each lamp.

Remove the two screws in the lense of the lamp.

Lever the bulb out of retaining clips.

Reverse the procedure to re-fit a new bulb and the light lense.

FRONT MARKER POSITION LAMPS

Bulb access is from rear of lamp.

Remove 2 x screws from light fitting, and withdraw whole fitting from caravan front panel.

Harness plugs into bulb holder – Twist bulb holder relative to lamp body to release bulb holder from lamp body.

Bulbs are push fit into bulb holder – pull bulb directly away from holder to release.

Reverse procedure to replace bulb in holder, holder in lamp and lamp onto caravan body.

SIDE MARKER POSITION LAMPS

These lamps are LED and have no user serviceable parts inside.

Replacements should be undertaken by your dealer, as the lamps are sealed onto the mounting panel.

HIGH LEVEL BRAKE LAMP

Remove the screw at both ends of lamp, and withdraw whole fitting away from rear panel of caravan.

Unplug the lamp from the harness, by squeezing the small tab on the side of the connector, and pulling the connector away from the lamp.

Re-connect the new lamp to harness, and secure with the original two screws.

Lamp retaining screws are fixed into a rubber sleeve with a threaded insert, often known as a rawlnut. If lamp has been removed and re-fitted several times the rubber sleeve may need replacing, these are available through your dealer.

Bulb Chart

Challenger/Eccles

Road Lights	Bulb type	Bulb rating
Front marker lights	LED complete unit L99.00.12V	12v LED
Side marker - Low Level	LED complete unit L99.01.12V	12v LED
Side marker - High Level	R5W	12v 5W
Rear light cluster (multi function)	Britax L79.00.12 (LH) & L79.01.12v (RH)	12v LED
Number plate light	C5W	12v 5W
High level brake light	LED complete unit 15.0024.502	12v LED
Interior / Other Lights	Bulb type	Bulb rating
Awning lamp, LED	LED complete unit FEM0945	12v LED
Awning lamp, LED with alarm indicator	LED complete unit FEM1225-W	12v LED
Over locker LED strip light	FEM-1183NW flexible LED light strip	12v LED
Ceiling light, triple LED	FEM0858 complete lamp	12v LED
Ceiling light, White, shower area	LED complete unit S2	12v LED
Forward ceiling LED strip light	LED strip FEM0937A	12v LED
Kitchen light	LED complete unit FEM1374	12v LED
Locker spotlights	LED complete unit FEM0854	12v LED
Locker spotlights with dimmer	LED complete unit FEM1168	12v LED
Downlights, small format	LED Complete unit FEM1189	12v LED
Downlights, shower cubicle, 3-stud	LED complete FEM0856	12v LED
Illuminated panel or mirror backlight	LED strip FEM-1214 (cut to length)	12v LED
Bunk light (touch control)	LED Complete unit SMD	12v LED

Note: Not all lights and bulbs feature on all models within a range

Bulb replacement

CHALLENGER / ECCLES ROAD LIGHT BULB ACCESS

Reverse the procedure to re-fit a new bulb and the light lense.

REAR LIGHT CLUSTERS (CONTAINING INDICATOR, TAIL/STOP, REVERSE AND FOG LAMPS)

These multi- function lights are LED and have no user serviceable parts inside.

Replacement clutters can be fitted in the following way:

Remove three screws visible around the perimeter of the cluster.

Pull the cluster away from the rear panel of the Tourer, taking care not to put excessive strain on the electrical connections behind the lamp.

Unplug the electrical connections from the rear of the lamp, by releasing the tab and lifting the connector upwards relative to the cluster.

Plug the connector back into the replacement lamp, position the lamp into the recess and replace the three fixing screws.

SIDE MARKER/ POSITION LAMPS (AMBER LENS)

These lamps are LED and have no user serviceable parts inside

Replacements should be undertaken by your dealer, as the lamps are sealed onto the mounting panel.

UPPER SIDE MARKER (RED AND WHITE LENS)

Lense is removed from base to access bulb

Carefully insert small flat bladed screwdriver into recess in lower edge of lamp base. Apply pressure to release locking barb.

Lift tense upwards and away from lamp base, lower edge first.

Lever bulb out of retaining clips

Reverse procedure to re-fit bulb to lens

FRONT LOW LEVEL MARKER/ POSITION LAMPS (CLEAR LENS)

These lamps are LED and have no user serviceable parts inside

Replacements should be undertaken by your dealer, as the lamps are sealed onto the mounting panel.

HIGH LEVEL BRAKE LAMP

This lamp is single piece and has no user serviceable parts inside.

Replacements should be undertaken by your dealer, as the lamps are sealed onto the mounting panel.

NUMBER PLATE LAMPS

Bulb access is from the front / via lense of each lamp.

Remove the two screws in the lense of the lamp.

Lever the bulb out of retaining clips.