



Swift Group
Dunswell Road
Cottingham
East Yorkshire HU16 4JX
Tel 01482 847332
Fax 01482 841042
email enquiry@swiftgroup.co.uk

For more information visit
www.swiftgroup.co.uk

Issued July 2013

Challenger SE - Conqueror Eccles SE - Elite Technical Handbook



Challenger SE Specifications 2

Eccles SE Specifications 4

Conqueror - Elite Specifications 6

Wiring Diagrams 8

Bulb Chart 15

Bulb Replacement..... 16

Specification

Challenger	Challenger 480	Challenger 530	Challenger 565	Challenger 570
Berths	2	4	4	4
Axles	1	1	1	1
Internal Length (bed box height)	4.40m/14'5"	5.29m/17'4"	5.60m/18'4"	5.60m/18'4"
Overall Width*	2.25m/7'4½"	2.25m/7'4½"	2.25m/7'4½"	2.25m/7'4½"
Overall Height (inc. TV Aerial)*	2.64m/8'8"	2.65m/8'8"	2.65m/8'8"	2.65m/8'8"
Maximum Internal Headroom	1.95m/6'5"	1.95m/6'5"	1.95m/6'5"	1.95m/6'5"
Overall Length*	6.06m/19'11"	6.94m/22'9"	7.25m/23'9"	7.25m/23'9"
Awning A/A dimension	8.77m/28'9"	9.65m/31'8"	9.96m/32'8"	9.96m/32'8"
Mass in Running Order (inc. tolerance)	1166kg/23.0cwt	1331kg/26.2cwt	1360kg/26.8cwt	1330kg/26.2cwt
Maximum Technical Permissible Laden Mass (Lower limit)	1287kg/25.3cwt	1481kg/29.2cwt	1513kg/29.8cwt	1483kg/29.2cwt
Maximum Technical Permissible Laden Mass (Upper limit)	1350kg/26.6cwt	1500kg/29.5cwt	1550kg/30.5cwt	1500kg/29.5cwt
Total user Payload	121kg/2.4cwt	150kg/3.0cwt	153kg/3.0cwt	153kg/3.0cwt
Personal Effects	121kg/2.4cwt	150kg/3.0cwt	153kg/3.0cwt	153kg/3.0cwt
Options	0kg/0cwt	0kg/0cwt	0kg/0cwt	0kg/0cwt
Tyre Size	185 R14C 102Q	185 R14C 102Q	185 R14C 102Q	185 R14C 102Q
Tyre pressure at Lower limit MTPLM	52 psi / 3.6bar	62 psi / 4.3bar	64 psi / 4.4bar	62 psi / 4.3bar
Tyre pressure at Upper limit MTPLM	55 psi / 3.8bar	64 psi / 4.4bar	65 psi / 4.5bar	64 psi / 4.4bar
Static Load on Coupling Head	100kg	100kg	100kg	100kg
Thermal Insulation Grade	THREE	THREE	THREE	THREE
Bed Sizes				
Front Double	202cm x 176cm/6'8" x 5'9"	202cm x 176cm/6'8" x 5'9"	202cm x 156cm/6'8" x 5'1"	202cm x 156cm/6'8" x 5'1"
or Front Nearside Single	186cm x 72cm/6'1" x 2'4"	176cm x 72cm/5'9" x 2'4"	156cm x 72cm/5'1" x 2'4"	156cm x 72cm/5'1" x 2'4"
and Front Offside Single	176cm x 72cm/5'9" x 2'4"	186cm x 72cm/6'1" x 2'4"	156cm x 72cm/5'1" x 2'4"	156cm x 72cm/5'1" x 2'4"
Rear Double				192cm x 130cm/6'4" x 4'3"
Side Single (offside)		180cm x 62cm/5'11" x 2'0"	192cm x 68cm/6'4" x 2'3"	
Side Single (nearside)			183cm x 73cm/6'0" x 2'5"	
Side Bunk (offside)		176cm x 59cm/5'9" x 1'11"		
Side Bunk (nearside)				
Side Fixed Lower Bunk				
Side Fixed Mid Bunk				
Side Fixed Upper Bunk				

** Estimated

Weights: From the 2011 season the method of calculating the Mass in Running Order (MRO) and user payload figures has changed in order to bring it in line with European Vehicle Directives.

Allowances for essential equipment (e.g. gas cylinders) previously allowed for in the user payload are now contained within the MRO. A provision for a leisure battery which used to be within the essential

equipment payload has now been included within the personal effects payload allowance.

Although the method of calculation has changed, the overall effect is that the amount of payload available to the customer has remained the same, it is just calculated in a different manner

Bed Sizes : Please note that the front double bed sizes quoted are for seating configurations without chest of drawers. The front double bed width for a layout with a chest of drawers fitted will be reduced by 0.4m(1'4") from that stated.

Challenger 580	Challenger 590	Challenger 620	Challenger 625	Challenger 630	Challenger 645
4	6	4	6	6	4
1	2	2	2	2	2
5.83m/19'2"	6.27m/20'7"	6.27m/20'7"	6.27m/20'7"	6.27m/20'7"	6.27m/20'7"
2.25m/7'4½"	2.25m/7'4½"	2.25m/7'4½"	2.25m/7'4½"	2.25m/7'4½"	2.25m/7'4½"
2.65m/8'8"	2.62m/8'7"	2.62m/8'7"	2.62m/8'7"	2.62m/8'7"	2.62m/8'7"
1.95m/6'5"	1.95m/6'5"	1.95m/6'5"	1.95m/6'5"	1.95m/6'5"	1.95m/6'5"
7.48m/24'6"	7.93m/26'0"	7.93m/26'0"	7.93m/26'0"	7.93m/26'0"	7.93m/26'0"
10.19m/33'5"	10.64m/34'11"	10.64m/34'11"	10.64m/34'11"	10.64m/34'11"	10.64m/34'11"
1360kg/26.8cwt	1615kg/31.8cwt	1579kg/31.1cwt	1603kg/31.6cwt	1564kg/30.8cwt	1575kg/31.0cwt
1516kg/29.8cwt	1850kg/36.4cwt	1800kg/35.4cwt	1800kg/35.4cwt	1800kg/35.4cwt	1800kg/35.4cwt
1550kg/30.5cwt	1850kg/36.4cwt	1800kg/35.4cwt	1800kg/35.4cwt	1800kg/35.4cwt	1800kg/35.4cwt
156kg/3.1cwt	235kg/4.6cwt	221kg/4.4cwt	197kg/3.9cwt	236kg/4.6cwt	225kg/4.4cwt
156kg/3.1cwt	180kg/3.5cwt	160kg/3.1cwt	180kg/3.5cwt	180kg/3.5cwt	160kg/3.1cwt
0kg/0cwt	0kg/0cwt	0kg/0cwt	0kg/0cwt	0kg/0cwt	0kg/0cwt
185 R14C 102Q	185/70 R14 88T	185/70 R14 88T	185/70 R14 88T	185/70 R14 88T	185/70 R14 88T
64 psi / 4.4bar	33 psi / 2.3bar	32 psi / 2.2bar	32 psi / 2.2bar	32 psi / 2.2bar	32 psi/2.2bar
65 psi / 4.5bar	33 psi / 2.3bar	32 psi / 2.2bar	32 psi / 2.2bar	32 psi / 2.2bar	32 psi / 2.2bar
100kg	100kg	100kg	100kg	100kg	100kg
THREE	THREE	THREE	THREE	THREE	THREE
202cm x 156cm /6'8" x 5'1"	202cm x 176cm /6'8" x 5'9"	202cm x 176cm /6'8" x 5'9"	202cm x 176cm /6'8" x 5'9"	203cm x 131cm /6'8" x 4'4"	202cm x 156cm /6'8" x 5'1"
156cm x 72cm/5'1" x 2'4"	186cm x 72cm/6'1" x 2'4"	176cm x 72cm/5'9" x 2'4"	176cm x 72cm/5'9" x 2'4"		156cm x 72cm/5'1" x 2'4"
156cm x 72cm/5'1" x 2'4"	176cm x 72cm/5'9" x 2'4"	186cm x 72cm/6'1" x 2'4"	186cm x 72cm/6'1" x 2'4"		156cm x 72cm/5'1" x 2'4"
185cm x 133cm /6'1" x 4'4"	202cm x 133cm /6'8" x 4'4"		192cm x 130cm /6'4" x 4'3"	192cm x 130cm /6'4" x 4'3"	185cm x 133cm /6'1" x 4'4"
	186cm x 64cm/6'1" x 2'1"	192cm x 68cm/6'4" x 2'3"	180cm x 69cm /5'11" x 2'3"	180cm x 62cm /5'11" x 2'0"	
	176cm x 64cm/5'9" x 2'1"	183cm x 73cm/6'0" x 2'5"			
	173cm x 59cm /5'8" x 1'11"		176cm x 59cm /5'9" x 1'11"	176cm x 59cm /5'9" x 1'11"	
	163cm x 59cm /5'4" x 1'11"				

Awning sizes: Due to varying awning designs and sizes the awning sizes given are approximate only. Specific awning sizes must be confirmed by your dealer or awning manufacturer prior to purchase.

* The dimensions given are approximate due to slight variations in suspension ride heights, loading conditions and tyre pressures.

Customers should verify the actual dimensions of their touring caravan before committing to anything that could be impacted by these dimensions

Please note: Any dealer fit options will reduce the overall payload available to the user of the caravan.

If you require additional payload it is possible to upgrade the MTPLM to the upper limit. Please contact your Swift caravan dealer for more information.

Specification

Eccles	Eccles Topaz	Eccles Moonstone	Eccles Solitaire
Berths	2	4	4
Axles	1	1	1
Internal Length (bed box height)	4.40m/14'5"	5.29m/17'4"	5.60m/18'4"
Overall Width*	2.25m/7'4½"	2.25m/7'4½"	2.25m/7'4½"
Overall Height (inc. TV Aerial)*	2.64m/8'8"	2.65m/8'8"	2.65m/8'8"
Maximum Internal Headroom	1.95m/6'5"	1.95m/6'5"	1.95m/6'5"
Overall Length*	6.06m/19'11"	6.94m/22'9"	7.25m/23'9"
Awning A/A dimension	8.77m/28'9"	9.65m/31'8"	9.96m/32'8"
Mass in Running Order (inc. tolerance)	1171kg/23.1cwt	1336kg/26.3cwt	1365kg/26.9cwt
Maximum Technical Permissible Laden Mass (Lower limit)	1292kg/25.4cwt	1486kg/29.3cwt	1518kg/29.9cwt
Maximum Technical Permissible Laden Mass (Upper limit)	1350kg/26.6cwt	1500kg/29.5cwt	1550kg/30.5cwt
Total user Payload	121kg/2.4cwt	150kg/3.0cwt	153kg/3.0cwt
Personal Effects	121kg/2.4cwt	150kg/3.0cwt	153kg/3.0cwt
Options	0kg/0cwt	0kg/0cwt	0kg/0cwt
Tyre Size	185 R14C 102Q	185 R14C 102Q	185 R14C 102Q
Tyre pressure at Lower limit MTPLM	52 psi / 3.6bar	62 psi / 4.3bar	64 psi/4.4bar
Tyre pressure at Upper limit MTPLM	55 psi / 3.8bar	64 psi/4.4bar	65 psi/4.5bar
Static Load on Coupling Head	100kg	100kg	100kg
Thermal Insulation Grade	THREE	THREE	THREE
Bed Sizes			
Front Double	202cm x 176cm/6'8" x 5'9"	202cm x 176cm/6'8" x 5'9"	202cm x 156cm/6'8" x 5'1"
or Front Nearside Single and Front Offside Single	186cm x 72cm/6'1" x 2'4"	176cm x 72cm/5'9" x 2'4"	156cm x 72cm/5'1" x 2'4"
Rear Double			
Side Single (offside)		180cm x 62cm/5'11" x 2'0"	192cm x 68cm/6'4" x 2'3"
Side Single (nearside)			183cm x 73cm/6'0" x 2'5"
Side Bunk (offside)		176cm x 59cm/5'9" x 1'11"	
Side Bunk (nearside)			
Side Fixed Lower Bunk			
Side Fixed Mid Bunk			
Side Fixed Upper Bunk			

** Estimated

Weights: From the 2011 season the method of calculating the Mass in Running Order (MRO) and user payload figures has changed in order to bring it in line with European Vehicle Directives.

Allowances for essential equipment (e.g. gas cylinders) previously allowed for in the user payload are now contained within the MRO. A provision for a leisure battery which used to be within the essential

equipment payload has now been included within the personal effects payload allowance.

Although the method of calculation has changed, the overall effect is that the amount of payload available to the customer has remained the same, it is just calculated in a different manner

Bed Sizes : Please note that the front double bed sizes quoted are for seating configurations without chest of drawers. The front double bed width for a layout with a chest of drawers fitted will be reduced by 0.4m(1'4") from that stated.

Eccles Ruby	Eccles Quartz	Eccles Amethyst	Eccles Coral	Eccles Wayfarer
4	4	6	6	4
1	1	2	2	2
5.60m/18'4"	5.83m/19'2"	6.27m/20'7"	6.27m/20'7"	6.27m/20'7"
2.25m/7'4½"	2.25m/7'4½"	2.25m/7'4½"	2.25m/7'4½"	2.25m/7'4½"
2.65m/8'8"	2.65m/8'8"	2.62m/8'7"	2.62m/8'7"	2.62m/8'7"
1.95m/6'5"	1.95m/6'5"	1.95m/6'5"	1.95m/6'5"	1.95m/6'5"
7.25m/23'9"	7.48m/24'6"	7.93m/26'0"	7.93m/26'0"	7.93m/26'0"
9.96m/32'8"	10.19m/33'5"	10.64m/34'11"	10.64m/34'11"	10.64m/34'11"
1335kg/26.3cwt	1365kg/26.9cwt	1608kg/31.7cwt**	1569kg/30.9cwt	1580kg/31.1cwt
1488kg/29.3cwt	1521kg/29.9cwt	1800kg/35.4cwt**	1800kg/35.4cwt	1800kg/35.4cwt
1500kg/29.5cwt	1550kg/30.5cwt	1800kg/35.4cwt	1800kg/35.4cwt	1800kg/35.4cwt
153kg/3.0cwt	156kg/3.1cwt	192kg/3.8cwt	231kg/4.5cwt	220kg/4.3cwt
153kg/3.0cwt	156kg/3.1cwt	180kg/3.5cwt	180kg/3.5cwt	160kg/3.1cwt
0kg/0cwt	0kg/0cwt	0kg/0cwt	0kg/0cwt	0kg/0cwt
185 R14C 102Q	185 R14C 102Q	185/70 R14 88T	185/70 R14 88T	185/70 R14 88T
62 psi/4.3bar	65 psi/4.5bar	32 psi/2.2bar	32 psi/2.2bar	32 psi/2.2bar
64 psi/4.4bar	65 psi/4.5bar	32 psi/2.2bar	32 psi/2.2bar	32 psi/2.2bar
100kg	100kg	100kg	100kg	100kg
THREE	THREE	THREE	THREE	THREE
Bed Sizes				
202cm x 156cm/6'8" x 5'1"	202cm x 156cm /6'8" x 5'1"	202cm x 176cm /6'8" x 5'9"	203cm x 131cm /6'8" x 4'4"	202cm x 156cm /6'8" x 5'1"
156cm x 72cm/5'1" x 2'4"	156cm x 72cm/5'1" x 2'4"	176cm x 72cm/5'9" x 2'4"		156cm x 72cm/5'1" x 2'4"
156cm x 72cm/5'1" x 2'4"	156cm x 72cm/5'1" x 2'4"	186cm x 72cm/6'1" x 2'4"		156cm x 72cm/5'1" x 2'4"
192cm x 130cm/6'4" x 4'3"	185cm x 133cm /6'1" x 4'4"	192cm x 130cm /6'4" x 4'3"	192cm x 130cm /6'4" x 4'3"	185cm x 133cm /6'1" x 4'4"
		180cm x 69cm /5'11" x 2'3"	180cm x 62cm /5'11" x 2'0"	
		176cm x 59cm /5'9" x 1'11"	176cm x 59cm /5'9" x 1'11"	

Awning sizes: Due to varying awning designs and sizes the awning sizes given are approximate only. Specific awning sizes must be confirmed by your dealer or awning manufacturer prior to purchase.

* The dimensions given are approximate due to slight variations in suspension ride heights, loading conditions and tyre pressures.

Customers should verify the actual dimensions of their touring caravan before committing to anything that could be impacted by these dimensions

Please note: Any dealer fit options will reduce the overall payload available to the user of the caravan. If you require additional payload it is possible to upgrade the MTPLM to the upper limit. Please contact your Swift caravan dealer for more information.

Specification

Conqueror	Conqueror 480	Conqueror 530	Conqueror 565
Elite			
Berths	2	4	4
Axles	1	1	1
Internal Length (bed box height)	4.74m/15'7"	5.50m/18'1"	5.60m/18'4"
Overall Width*	2.31m/7'7"	2.31m/7'7"	2.31m/7'7"
Overall Height (inc. TV Aerial)*	2.62m/8'7"	2.67m/8'9"	2.67m/8'9"
Maximum Internal Headroom	1.95m/6'5"	1.95m/6'5"	1.95m/6'5"
Overall Length*	6.46m/21'2"	7.22m/23'8"	7.32m/24'0"
Awning A/A dimension	9.12m/29'11"	9.88m/32'5"	9.98m/32'9"
Mass in Running Order (inc. tolerance)	1348kg/26.5cwt	1535kg/30.2cwt	1521kg/29.9cwt
Maximum Technical Permissible Laden Mass (Lower limit)	1473kg/29.0cwt	1688kg/33.2cwt	1675kg/33.0cwt
Maximum Technical Permissible Laden Mass (Upper limit)	1500kg/29.5cwt	1750kg/34.4cwt	1750kg/34.4cwt
Total user Payload	125kg/2.5cwt	153kg/3.0cwt	154kg/3.0cwt
Personal Effects	125kg/2.5cwt	153kg/3.0cwt	154kg/3.0cwt
Options	0kg/0cwt	0kg/0cwt	0kg/0cwt
Tyre Size	185 R14C 102Q	195/70 R15C 104R	195/70 R15C 104R
Tyre pressure at Lower limit MTPLM	62 psi / 4.3bar	65 psi/4.5bar	65 psi/4.5bar
Tyre pressure at Upper limit MTPLM	64 psi / 4.4bar	65 psi/4.5bar	65 psi/4.5bar
Static Load on Coupling Head	100kg	100kg	100kg
Thermal Insulation Grade	THREE	THREE	THREE
Bed Sizes			
Front Double	207cm x 186cm/6'9" x 6'1"	207cm x 176cm/6'9" x 5'9"	207cm x 156cm/6'9" x 5'1"
or Front Nearside Single	186cm x 72cm/6'1" x 2'4"	176cm x 72cm/5'9" x 2'4"	156cm x 72cm/5'1" x 2'4"
and Front Offside Single	186cm x 72cm/6'1" x 2'4"	186cm x 72cm/6'1" x 2'4"	156cm x 72cm/5'1" x 2'4"
Rear Double			
Rear Bunk			
Side Single (offside)		180cm x 69cm/5'11" x 2'3"	192cm x 72cm/6'4" x 2'4"
Side Single (nearside)			183cm x 73cm/6'0" x 2'5"
Side Bunk (offside)		176cm x 59cm/5'9" x 1'11"	

** Estimated

Weights: The method of calculating the Mass in Running Order (MRO) and user payload figures has changed in order to bring it in line with European Vehicle Directives.

Allowances for essential equipment (e.g. gas cylinders) previously allowed for in the user payload are now contained within the MRO. A provision for a leisure battery which used to be within the essential

equipment payload has now been included within the personal effects payload allowance.

Although the method of calculation has changed, the overall effect is that the amount of payload available to the customer has remained the same, it is just calculated in a different manner

Bed Sizes : Please note that the front double bed sizes quoted are for seating configurations without chest of drawers. The front double bed width for a layout with a chest of drawers fitted will be reduced by 0.4m(1'4") from that stated.

Conqueror 570	Conqueror 630	Conqueror 645
Elite Amber		
Elite Searcher		
Elite Explorer		
4	4	4
1	2	2
5.60m/18'4"	6.27m/20'7"	6.27m/20'7"
2.31m/7'7"	2.31m/7'7"	2.31m/7'7"
2.67m/8'9"	2.62m/8'7"	2.62m/8'7"
1.95m/6'5"	1.95m/6'5"	1.95m/6'5"
7.32m/24'0"	7.99m/26'3"	7.99m/26'3"
9.98m/32'9"	10.65m/34'11"	10.65m/34'11"
1521kg/29.9cwt**	1672kg/32.9cwt	1663kg/32.7cwt
1675kg/33.0cwt**	1900kg/37.4cwt	1900kg/37.4cwt
1750kg/34.4cwt	1900kg/37.4cwt	1900kg/37.4cwt
154kg/3.0cwt	228kg/4.5cwt	237kg/4.7cwt
154kg/3.0cwt	160kg/3.1cwt	160kg/3.1cwt
0kg/0cwt	0kg/0cwt	0kg/0cwt
195/70 R15C 104R	185/70 R14 88T	185/70 R14 88T
65 psi/4.5bar	33 psi/2.3bar	33 psi/2.3bar
65 psi/4.5bar	33 psi/2.3bar	33 psi/2.3bar
100kg	100kg	100kg
THREE	THREE	THREE
207cm x 156cm/6'9" x 5'1"	207cm x 156cm/6'9" x 5'1"	207cm x 156cm/6'9" x 5'1"
156cm x 72cm/5'1" x 2'4"	156cm x 72cm/5'1" x 2'4"	156cm x 72cm/5'1" x 2'4"
156cm x 72cm/5'1" x 2'4"	156cm x 72cm/5'1" x 2'4"	156cm x 72cm/5'1" x 2'4"
192cm x 134cm/6'4" x 4'5"	192cm x 134cm/6'4" x 4'5"	185cm x 133cm/6'1" x 4'4"

Awning sizes: Due to varying awning designs and sizes the awning sizes given are approximate only. Specific awning sizes must be confirmed by your dealer or awning manufacturer prior to purchase.

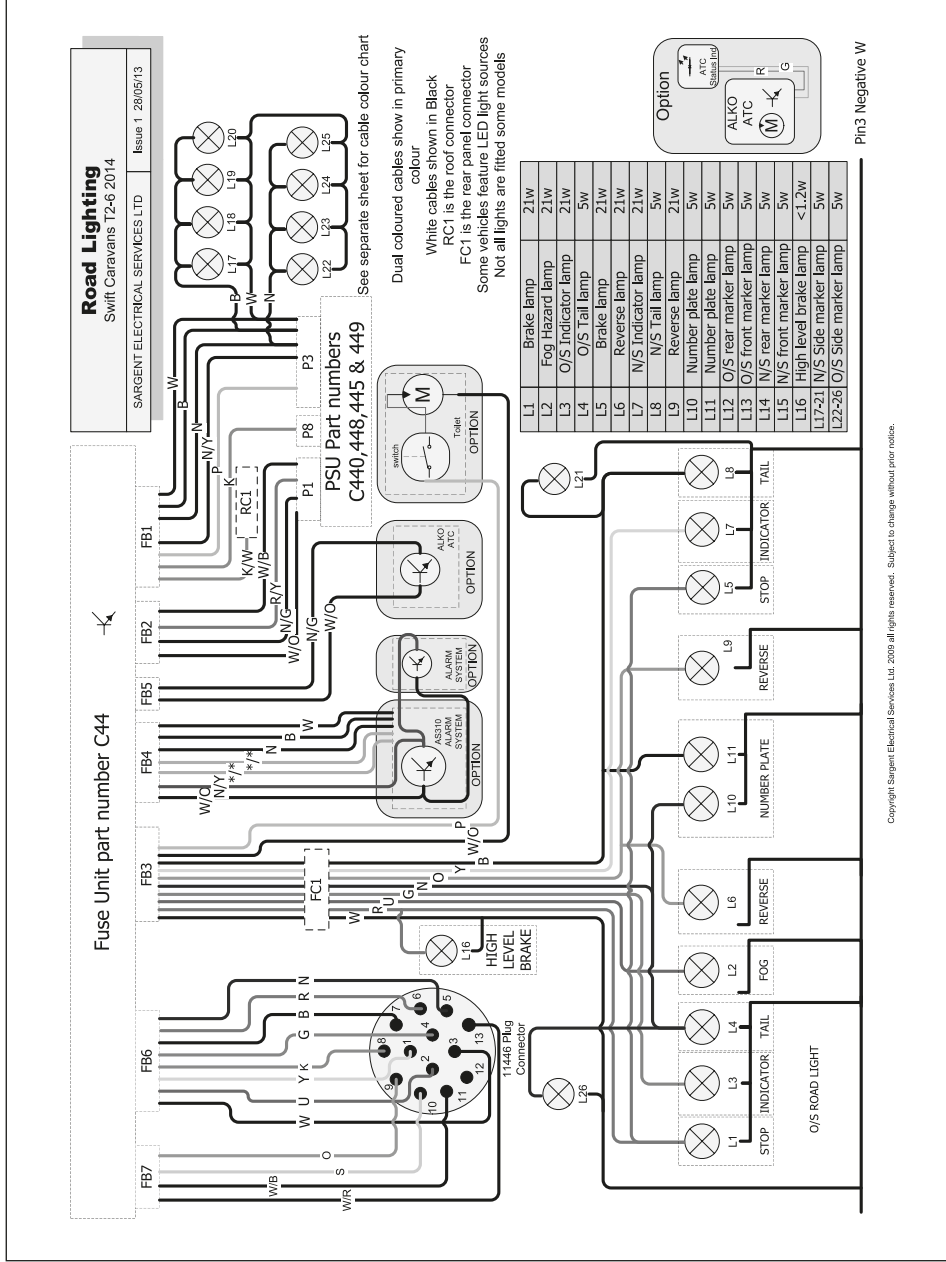
* The dimensions given are approximate due to slight variations in suspension ride heights, loading conditions and tyre pressures.

Customers should verify the actual dimensions of their touring caravan before committing to anything that could be impacted by these dimensions

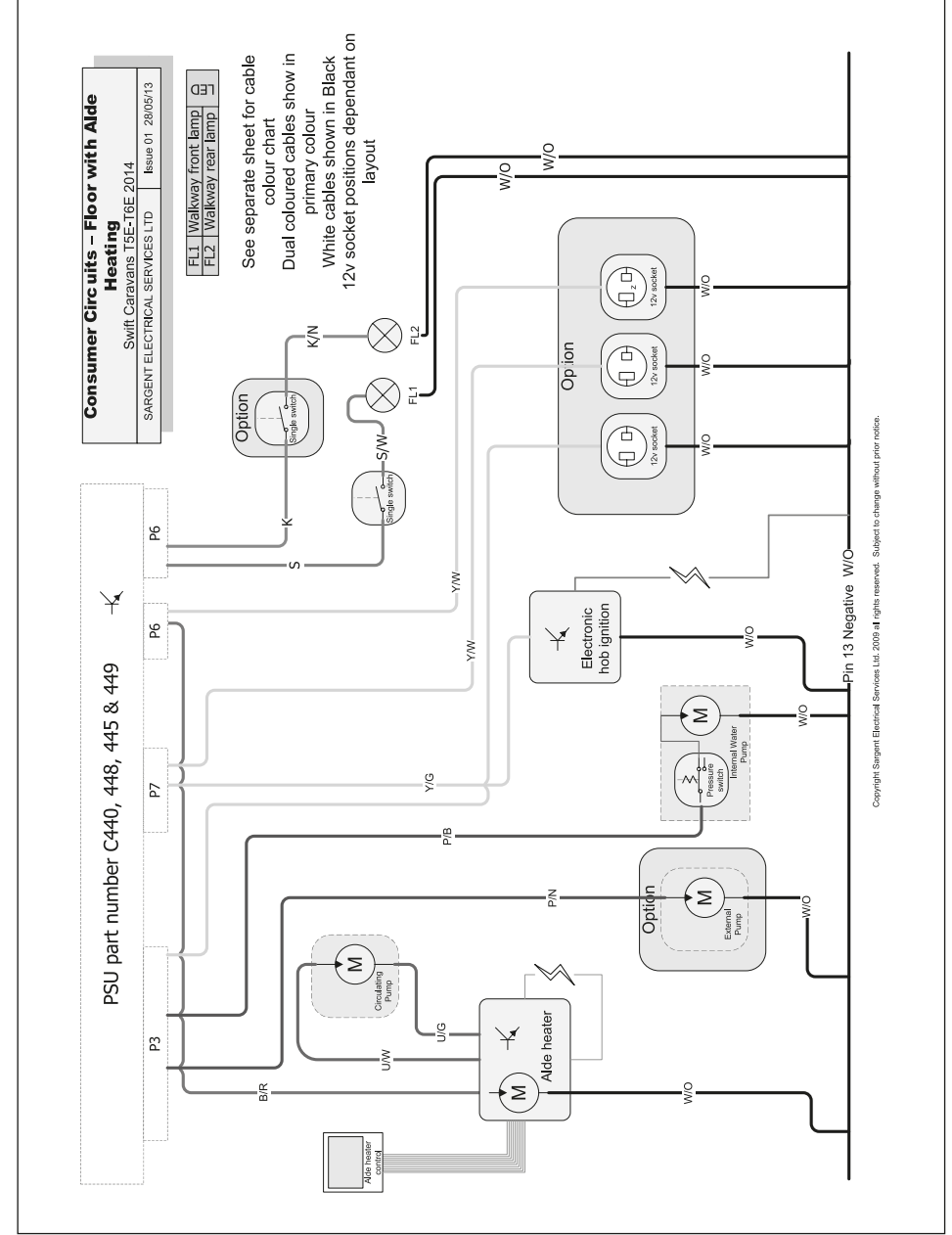
Please note: Any dealer fit options will reduce the overall payload available to the user of the caravan.

If you require additional payload it is possible to upgrade the MTPLM to the upper limit. Please contact your Swift caravan dealer for more information.

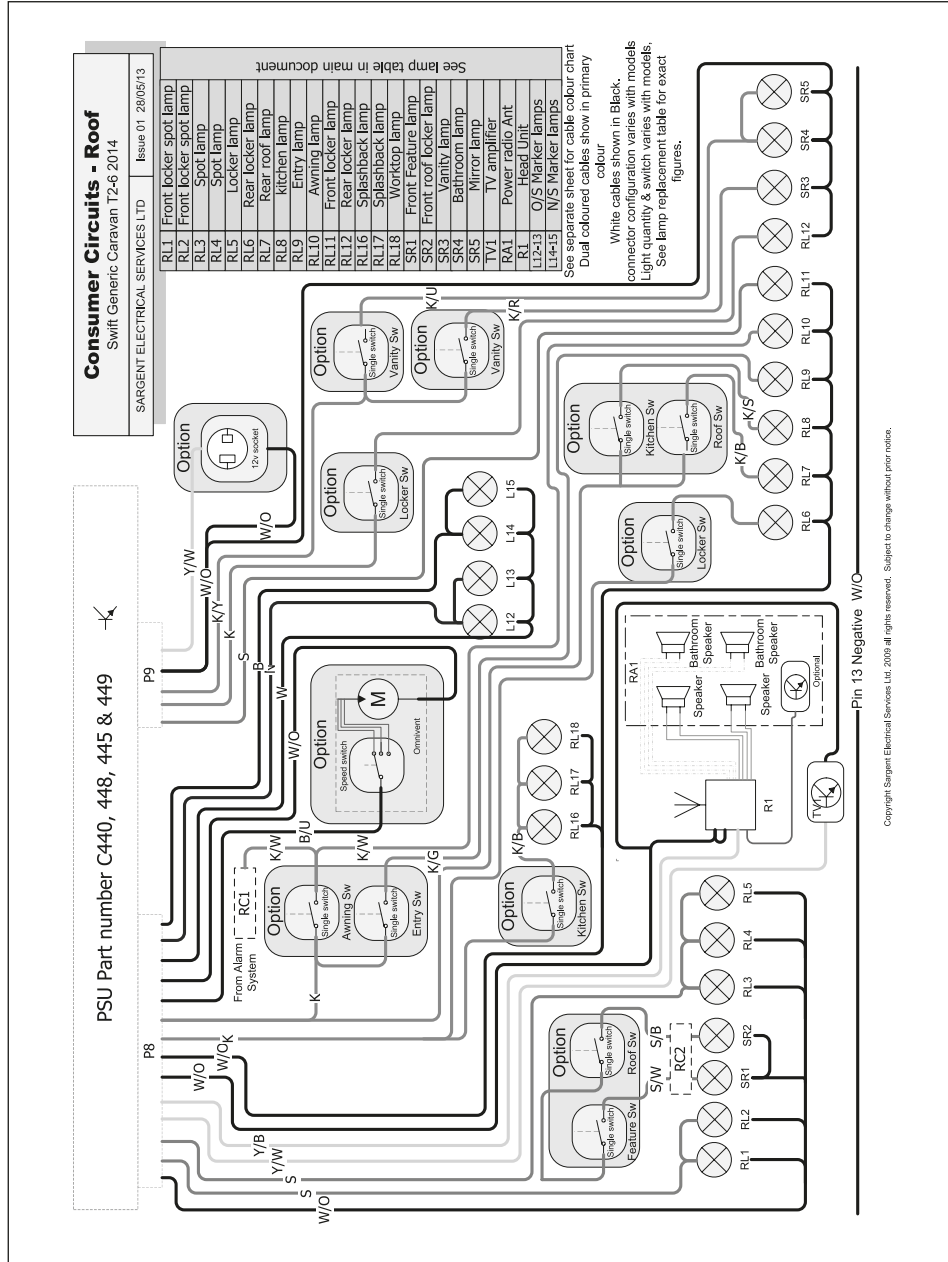
Challenger - Conqueror - Eccles - Elite - Road lighting circuits



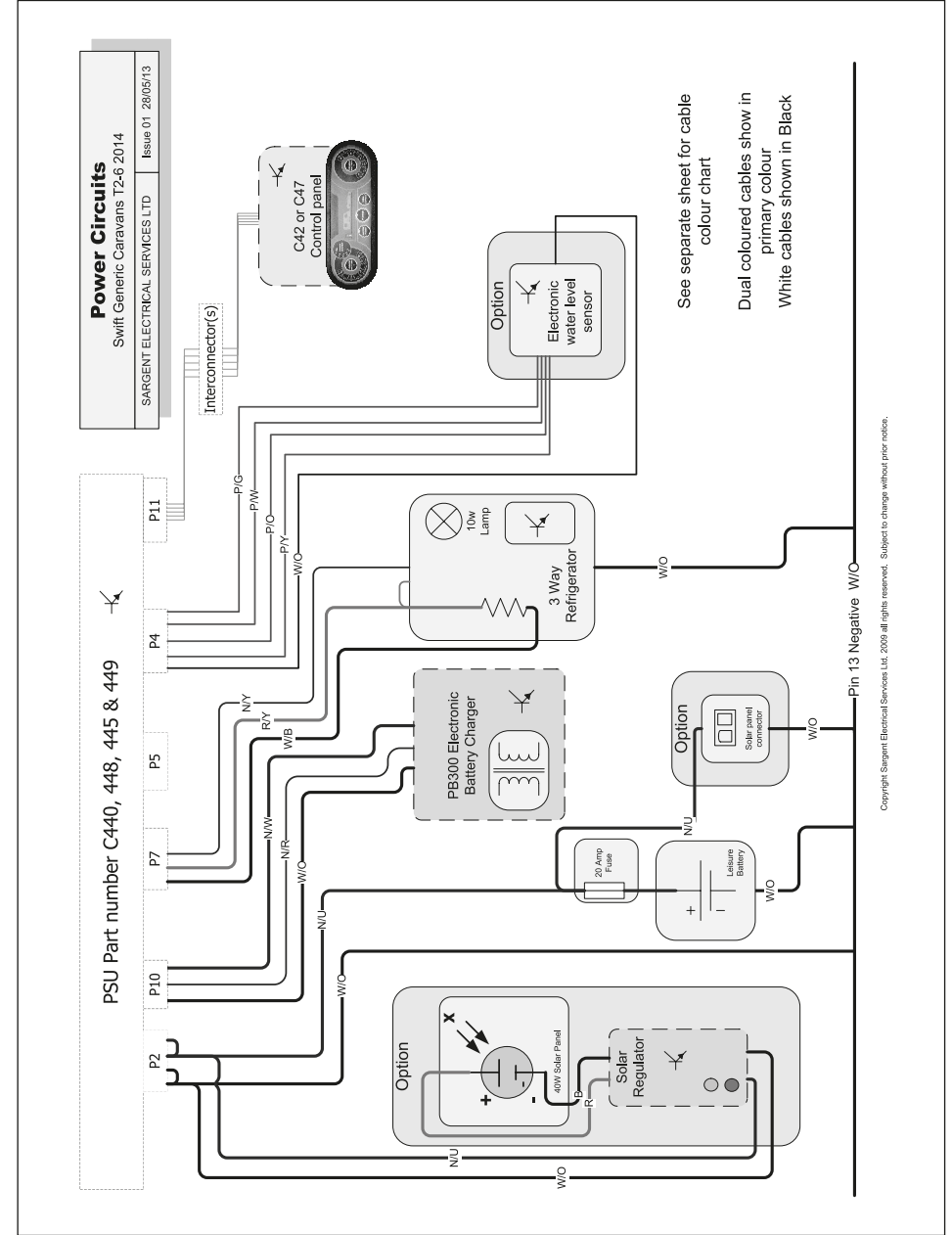
Challenger - Conqueror - Eccles - Elite - Floor circuits with Alde



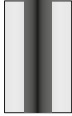
Challenger - Conqueror - Eccles - Elite - Consumer circuits roof



Challenger - Conqueror - Eccles - Elite - Power circuits



Challenger - Conqueror - Eccles - Elite - Cable colour chart



Example

Y/U

Yellow cable with Blue stripe

Cable Colour Chart

Swift range

SARGENT ELECTRICAL SERVICES LTD

Issue 06/07/10

12v Cable Colours	
B	BLACK
N	BROWN
R	RED
O	ORANGE
Y	YELLOW
G	GREEN
U	BLUE
P	PURPLE
S	SLATE GREY
W	WHITE
K	PINK

230v Cable Colours	
B	BLACK
N	BROWN
W	WHITE
O	ORANGE
Y	YELLOW
G	GREEN
U	BLUE

Copyright Sargent Electrical Services Ltd. 2010 all rights reserved. Subject to change without prior notice.

Exterior Lights	Bulb type	Bulb rating
Front marker lights	Complete lamp	12v LED
Side marker - Low Level	W5W	12v 5W
Side marker - High Level	R5W	12v 5W
Reversing light	P21	12v 21W
Rear indicator light	P21	12v 21W
Rear indicator light	P21W Orange Bulb	12v 21W
Brake / tail light	P21/5W	12v 21W/5W
Fog light	P21	12v 21W
Number plate light	C5W	12v 5W
High level brake light	Jokon ZHBL 12 Red	LED
Interior / Other Lights	Bulb type	Bulb rating
Awning lamp	FEM0945 complete lamp	12v LED
Locker spotlights	FEM0854 complete lamp	12v LED
Downlighters, Chrome	FEM1189 LED complete unit	12v LED
Downlighters, Offset lense	FEM0855 complete lamp, silver	12v LED
Worktop feature light	Complete lamp (500mm/1000mm)	12v LED
Kitchen light (splashback)	FEM1043 complete lamp, surface mount	12v LED
Kitchen light	500mm cold cthode 4.5W light	12v 4.5W CCFL
Over locker lighting	Flourescent 300mm	12v 8W
Over locker lighting	FEM1214	12v LED
Feature light over front seating	FEM0937 complete lamp	12v LED
Wardrobe lamp	Halogen capsule bulb	GU4 12V 5W
Ceiling light triple LED	FEM0858 complete lamp	12v LED

Note: Not all bulbs and lights feature on all models within a range

Bulb replacement

T5D / T6D CHALLENGER / ECCLES / CONQUEROR / ELITE ROAD LIGHT BULB ACCESS

REAR LIGHT CLUSTERS (CONTAINING INDICATOR, TAIL / STOP, REVERSE AND FOG LAMPS)

All of the bulbs within the clusters are accessed from the rear of the cluster.

To remove the cluster, release the four screws that can be seen around the perimeter of the lense of the lamp. The whole lamp can then be withdrawn from the rear of the caravan.

The relevant bulb holder can now, from the rear of the lamp, be twisted relative to the body of the lamp to release it.

The bulbs are then a bayonet fitting into the bulb holder - push the bulb lightly toward the holder, and twist, to release.

Please take additional care replacing stop/tail light in correct orientation. When fitted correctly brake light illumination will be brighter than tail lamp illumination.

Re-fit the bulb holder into the lamp body.

FRONT LOW LEVEL MARKER / POSITION LAMPS (CLEAR LENSE)

These lamps are LED and have no user serviceable parts inside.

Replacements should be undertaken by your dealer, as the lamps are sealed onto the mounting panel.

HIGH LEVEL BRAKE LAMP

This lamp is single piece and has no user serviceable parts inside.

Replacements should be undertaken by your dealer, as the lamps are sealed onto the mounting panel.

NUMBER PLATE LAMPS

Bulb access is from via the front lense of each lamp.

Remove the two screws in the lense of the lamp, and remove.

Lever the bulb out of retaining clips.

Reverse the procedure to re-fit a new bulb and the light lense.

SIDE MARKER / POSITION LAMPS

Bulb access is from rear of lamp.

If rear of lamp is visible from inside the caravan:

- Depending on the location, a small brown plastic cover may be present covering the connections to the lamp. Remove the screws in the cover to release and access the rear of the lamp.
- The harness plugs directly into the bulb holder - twist the bulb holder relative to the lamp body to release, and withdraw the bulb holder and bulb.
- Bulbs are push fit into bulb holder - pull bulb directly away from holder to release
- Reverse the procedure to replace the bulb in the holder, holder in the lamp and the lamp onto the caravan body. Replace plastic cover.

If rear of lamp is not visible from inside the caravan:

- Remove the 2 screws from the front of the light fitting, and withdraw the whole fitting from the caravan body
- The harness plugs directly into the bulb holder - twist the bulb holder relative to the lamp body to release, and withdraw the bulb holder and bulb.
- Bulbs are push fit into bulb holder - pull bulb directly away from holder to release
- Reverse the procedure to replace the bulb in the holder, holder in the lamp and the lamp onto the caravan body.