



**Swift Group**  
Dunswell Road  
Cottingham  
East Yorkshire HU16 4JX  
Tel **01482 847332**  
Fax **01482 841042**  
email [enquiry@swiftgroup.co.uk](mailto:enquiry@swiftgroup.co.uk)

For more information visit  
[www.swiftgroup.co.uk](http://www.swiftgroup.co.uk)

Issued July 2014

## Challenger Sport & Eccles Sport Technical Handbook

---



Challenger Sport Specifications ..... 2

Eccles Sport Specifications ..... 4

Wiring Diagrams ..... 6

Bulb Chart ..... 13

Bulb Replacement..... 14

# Specification

| Challenger Sport                                       | 442                            | 514                           | 524                            | 554                           |
|--|--------------------------------|-------------------------------|--------------------------------|-------------------------------|
| Berths   | 2                              | 4                             | 4                              | 4                             |
| Axles  | 1                              | 1                             | 1                              | 1                             |
| Internal Length (bed box height)                       | 4.40m/14'5"                    | 5.23m/17'2"                   | 5.29m/17'4"                    | 5.60m/18'4"                   |
| Overall Width*   | 2.25m/7'5"                     | 2.25m/7'5"                    | 2.25m/7'5"                     | 2.25m/7'5"                    |
| Overall Height (inc. TV Aerial)*                       | 2.64m/8'8"                     | 2.65m/8'8"                    | 2.65m/8'8"                     | 2.65m/8'8"                    |
| Maximum Internal Headroom                              | 1.95m/6'5"                     | 1.95m/6'5"                    | 1.95m/6'5"                     | 1.95m/6'5"                    |
| Overall Length*  | 6.06m/19'11"                   | 6.88m/22'7"                   | 6.94m/22'9"                    | 7.25m/23'9"                   |
| Awning A/A dimension                                   | 8.79m/28'10"                   | 9.62m/31'7"                   | 9.68m/31'9"                    | 9.99m/32'9"                   |
| Mass in Running Order (inc. tolerance)                 | 1120kg/22.0cwt                 | 1231kg/24.2cwt                | 1260kg/24.8cwt                 | 1267kg/24.9cwt                |
| Maximum Technical Permissible Laden Mass (Lower limit) | 1241kg/24.4cwt                 | 1381kg/27.2cwt                | 1410kg/27.8cwt                 | 1420kg/28.0cwt                |
| Maximum Technical Permissible Laden Mass (Upper limit) | 1350kg/26.6cwt                 | 1500kg/29.5cwt                | 1500kg/29.5cwt                 | 1500kg/29.5cwt                |
| Total user Payload                                     | 121kg/2.4cwt                   | 150kg/3.0cwt                  | 150kg/3.0cwt                   | 153kg/3.0cwt                  |
| Personal Effects                                       | 121kg/2.4cwt                   | 150kg/3.0cwt                  | 150kg/3.0cwt                   | 153kg/3.0cwt                  |
| Options  | 0kg/0cwt                       | 0kg/0cwt                      | 0kg/0cwt                       | 0kg/0cwt                      |
| Tyre Size  | 185 R14C 102Q                  | 185 R14C 102Q                 | 185 R14C 102Q                  | 185 R14C 102Q                 |
| Tyre pressure at Lower limit MTPLM                     | 3.5 bar / 51psi                | 4.0 bar / 58 psi              | 4.1 bar / 59 psi               | 4.1 bar / 59psi               |
| Tyre pressure at Upper limit MTPLM                     | 3.8 bar / 55 psi               | 4.4 bar / 64 psi              | 4.4 bar / 64 psi               | 4.4 bar / 64 psi              |
| Static Load on Coupling Head                           | 100kg                          | 100kg                         | 100kg                          | 100kg                         |
| Thermal Insulation Grade                               | THREE                          | THREE                         | THREE                          | THREE                         |
| <b>Bed Sizes</b>                                       |                                |                               |                                |                               |
| Front Double   | 202cm x 180cm/<br>6'8" x 5'11" | 202cm x 153cm/<br>6'8" x 5'0" | 202cm x 180cm/<br>6'8" x 5'11" | 202cm x 159cm/<br>6'8" x 5'3" |
| or Front Nearside Single                               | 190cm x 72cm/6'3" x 2'4"       | 153cm x 72cm/5'0" x 2'4"      | 180cm x 72cm/5'11" x 2'4"      | 160cm x 72cm/5'3" x 2'4"      |
| and Front Offside Single                               | 180cm x 72cm/5'11" x 2'4"      | 160cm x 72cm/5'3" x 2'4"      | 190cm x 72cm/6'3" x 2'4"       | 160cm x 72cm/5'3" x 2'4"      |
| Rear Double  |                                | 198cm x 133cm/6'6" x 4'4"     |                                | 191cm x 133cm/6'3" x 4'4"     |
| Rear Bunk  |                                |                               |                                |                               |
| Side Single (offside)                                  |                                |                               | 180cm x 62cm/5'11" x 2'0"      |                               |
| Side Single (nearside)                                 |                                |                               |                                |                               |
| Side Bunk (offside)                                    |                                |                               | 176cm x 59cm/5'9" x 1'11"      |                               |
| Side Bunk (nearside)                                   |                                |                               |                                |                               |
| Rear Fixed Lower Bunk                                  |                                |                               |                                |                               |
| Rear Fixed Mid Bunk                                    |                                |                               |                                |                               |
| Rear Fixed Upper Bunk                                  |                                |                               |                                |                               |
| Side Fixed Lower Bunk                                  |                                |                               |                                |                               |
| Side Fixed Mid Bunk                                    |                                |                               |                                |                               |
| Side Fixed Upper Bunk                                  |                                |                               |                                |                               |

**Weights:** The method of calculating the Mass in Running Order (MRO) and user payload figures has changed in order to bring it in line with European Vehicle Directives.

Allowances for essential equipment (e.g. gas cylinders) previously allowed for in the user payload are now contained within the MRO. A provision for a leisure battery which used to be within the essential

equipment payload has now been included within the personal effects payload allowance.

Although the method of calculation has changed, the overall effect is that the amount of payload available to the customer has remained the same, it is just calculated in a different manner

**Bed Sizes :** Please note that the front double bed sizes quoted are for seating configurations without chest of drawers. The front double bed width for a layout with a chest of drawers fitted will be reduced by 0.4m(1'4") from that stated.

| 564                           | 584                           | 586                            | 640                            |
|-------------------------------|-------------------------------|--------------------------------|--------------------------------|
| 4                             | 4                             | 6                              | 6                              |
| 1                             | 1                             | 1                              | 2                              |
| 5.60m/18'4"                   | 5.83m/19'2"                   | 5.83m/19'2"                    | 6.27m/20'7"                    |
| 2.25m/7'5"                    | 2.25m/7'5"                    | 2.25m/7'5"                     | 2.25m/7'5"                     |
| 2.65m/8'8"                    | 2.65m/8'8"                    | 2.65m/8'8"                     | 2.62m/8'7"                     |
| 1.95m/6'5"                    | 1.95m/6'5"                    | 1.95m/6'5"                     | 1.95m/6'5"                     |
| 7.25m/23'9"                   | 7.48m/24'6"                   | 7.48m/24'6"                    | 7.93m/26'0"                    |
| 9.99m/32'9"                   | 10.22m/33'6"                  | 10.22m/33'6"                   | 10.66m/35'0"                   |
| 1292kg/25.4cwt                | 1297kg/25.5cwt                | 1358kg/26.7cwt                 | 1529kg/30.1cwt                 |
| 1445kg/28.4cwt                | 1453kg/28.6cwt                | 1550kg/30.5cwt                 | 1750kg/34.4cwt                 |
| 1500kg/29.5cwt                | 1500kg/29.5cwt                | 1550kg/30.5cwt                 | 1850kg/36.4cwt                 |
| 153kg/3.0cwt                  | 156kg/3.1cwt                  | 192kg/3.8cwt                   | 221kg/4.3cwt                   |
| 153kg/3.0cwt                  | 156kg/3.1cwt                  | 176kg/3.5cwt                   | 180kg/3.5cwt                   |
| 0kg/0cwt                      | 0kg/0cwt                      | 0kg/0cwt                       | 0kg/0cwt                       |
| 185 R14C 102Q                 | 185 R14C 102Q                 | 185 R14C 102Q                  | 185/70 R14 88T                 |
| 4.2 bar / 61 psi              | 4.2 bar / 61 psi              | 4.5 bar / 65 psi               | 2.1 bar / 30 psi               |
| 4.4 bar / 64 psi              | 4.4 bar / 64 psi              | 4.5 bar / 65 psi               | 2.3 bar / 33 psi               |
| 100kg                         | 100kg                         | 100kg                          | 100kg                          |
| THREE                         | THREE                         | THREE                          | THREE                          |
| <b>Bed Sizes</b>              |                               |                                |                                |
| 202cm x 159cm/<br>6'8" x 5'3" | 202cm x 159cm/<br>6'8" x 5'3" | 202cm x 180cm/<br>6'8" x 5'11" | 202cm x 180cm/<br>6'8" x 5'11" |
| 160cm x 72cm/5'3" x 2'4"      | 160cm x 72cm/5'3" x 2'4"      | 190cm x 72cm/6'3" x 2'4"       | 190cm x 72cm/6'3" x 2'4"       |
| 160cm x 72cm/5'3" x 2'4"      | 160cm x 72cm/5'3" x 2'4"      | 180cm x 72cm/5'11" x 2'4"      | 180cm x 72cm/5'11" x 2'4"      |
|                               | 191cm x 133cm/6'3" x 4'4"     |                                | 202cm x 133cm/6'8" x 4'4"      |
|                               |                               |                                |                                |
| 192cm x 71cm/6'4" x 2'4"      |                               |                                | 186cm x 64cm/6'1" x 2'1"       |
| 183cm x 75cm/6'0" x 2'6"      |                               | 180cm x 62cm/5'11" x 2'0"      | 176cm x 64cm/5'9" x 2'1"       |
|                               |                               |                                | 173cm x 59cm/5'8" x 1'11"      |
|                               |                               | 176cm x 59cm/5'9" x 1'11"      | 163cm x 59cm/5'4" x 1'11"      |
|                               |                               |                                |                                |
|                               |                               | 183cm x 57cm/6'0" x 1'10"      |                                |
|                               |                               |                                |                                |
|                               |                               | 183cm x 57cm/6'0" x 1'10"      |                                |

**Awning sizes:** Due to varying awning designs and sizes the awning sizes given are approximate only. Specific awning sizes must be confirmed by your dealer or awning manufacturer prior to purchase.

\* The dimensions given are approximate due to slight variations in suspension ride heights, loading conditions and tyre pressures.

Customers should verify the actual dimensions of their touring caravan before committing to anything that could be impacted by these dimensions

**Please note:** Any dealer fit options will reduce the overall payload available to the user of the caravan.

If you require additional payload it is possible to upgrade the MTPLM to the upper limit. Please contact your Swift caravan dealer for more information.

# Specification

| Eccles Sport   | 442                            | 514                           | 524                            |
|--|--------------------------------|-------------------------------|--------------------------------|
| Berths   | 2                              | 4                             | 4                              |
| Axles  | 1                              | 1                             | 1                              |
| Internal Length (bed box height)                       | 4.40m/14'5"                    | 5.23m/17'2"                   | 5.29m/17'4"                    |
| Overall Width*   | 2.25m/7'5"                     | 2.25m/7'5"                    | 2.25m/7'5"                     |
| Overall Height (inc. TV Aerial)*                       | 2.64m/8'8"                     | 2.65m/8'8"                    | 2.65m/8'8"                     |
| Maximum Internal Headroom                              | 1.95m/6'5"                     | 1.95m/6'5"                    | 1.95m/6'5"                     |
| Overall Length*  | 6.06m/19'11"                   | 6.88m/22'7"                   | 6.94m/22'9"                    |
| Awning A/A dimension                                   | 8.79m/28'10"                   | 9.62m/31'7"                   | 9.68m/31'9"                    |
| Mass in Running Order (inc. tolerance)                 | 1125kg/22.1cwt                 | 1236kg/24.3cwt                | 1265kg/24.9cwt                 |
| Maximum Technical Permissible Laden Mass (Lower limit) | 1246kg/24.5cwt                 | 1386kg/27.3cwt                | 1415kg/27.9cwt                 |
| Maximum Technical Permissible Laden Mass (Upper limit) | 1350kg/26.6cwt                 | 1500kg/29.5cwt                | 1500kg/29.5cwt                 |
| Total user Payload                                     | 121kg/2.4cwt                   | 150kg/3.0cwt                  | 150kg/3.0cwt                   |
| Personal Effects                                       | 121kg/2.4cwt                   | 150kg/3.0cwt                  | 150kg/3.0cwt                   |
| Options  | 0kg/0cwt                       | 0kg/0cwt                      | 0kg/0cwt                       |
| Tyre Size  | 185 R14C 102Q                  | 185 R14C 102Q                 | 185 R14C 102Q                  |
| Tyre pressure at Lower limit MTPLM                     | 3.5 bar / 51 psi               | 4.0 bar / 58 psi              | 4.1 bar / 59 psi               |
| Tyre pressure at Upper limit MTPLM                     | 3.8 bar / 55 psi               | 4.4 bar / 64 psi              | 4.4 bar / 64 psi               |
| Static Load on Coupling Head                           | 100kg                          | 100kg                         | 100kg                          |
| Thermal Insulation Grade                               | THREE                          | THREE                         | THREE                          |
| <b>Bed Sizes</b>                                       |                                |                               |                                |
| Front Double   | 202cm x 180cm/<br>6'8" x 5'11" | 202cm x 153cm/<br>6'8" x 5'0" | 202cm x 180cm/<br>6'8" x 5'11" |
| or Front Nearside Single                               | 190cm x 72cm/6'3" x 2'4"       | 153cm x 72cm/5'0" x 2'4"      | 180cm x 72cm/5'11" x 2'4"      |
| and Front Offside Single                               | 180cm x 72cm/5'11" x 2'4"      | 160cm x 72cm/5'3" x 2'4"      | 190cm x 72cm/6'3" x 2'4"       |
| Rear Double  |                                | 198cm x 133cm/6'6" x 4'4"     |                                |
| Rear Bunk  |                                |                               |                                |
| Side Single (offside)                                  |                                |                               | 180cm x 62cm/5'11" x 2'0"      |
| Side Single (nearside)                                 |                                |                               |                                |
| Side Bunk (offside)                                    |                                |                               | 176cm x 59cm/5'9" x 1'11"      |
| Side Bunk (nearside)                                   |                                |                               |                                |
| Rear Fixed Lower Bunk                                  |                                |                               |                                |
| Rear Fixed Mid Bunk                                    |                                |                               |                                |
| Rear Fixed Upper Bunk                                  |                                |                               |                                |
| Side Fixed Lower Bunk                                  |                                |                               |                                |
| Side Fixed Mid Bunk                                    |                                |                               |                                |
| Side Fixed Upper Bunk                                  |                                |                               |                                |

† Estimate

**Weights:** The method of calculating the Mass in Running Order (MRO) and user payload figures has changed in order to bring it in line with European Vehicle Directives.

Allowances for essential equipment (e.g. gas cylinders) previously allowed for in the user payload are now contained within the MRO. A provision for a leisure battery which used to be within the essential

equipment payload has now been included within the personal effects payload allowance.

Although the method of calculation has changed, the overall effect is that the amount of payload available to the customer has remained the same, it is just calculated in a different manner

**Bed Sizes :** Please note that the front double bed sizes quoted are for seating configurations without chest of drawers. The front double bed width for a layout with a chest of drawers fitted will be reduced by 0.4m(1'4") from that stated.

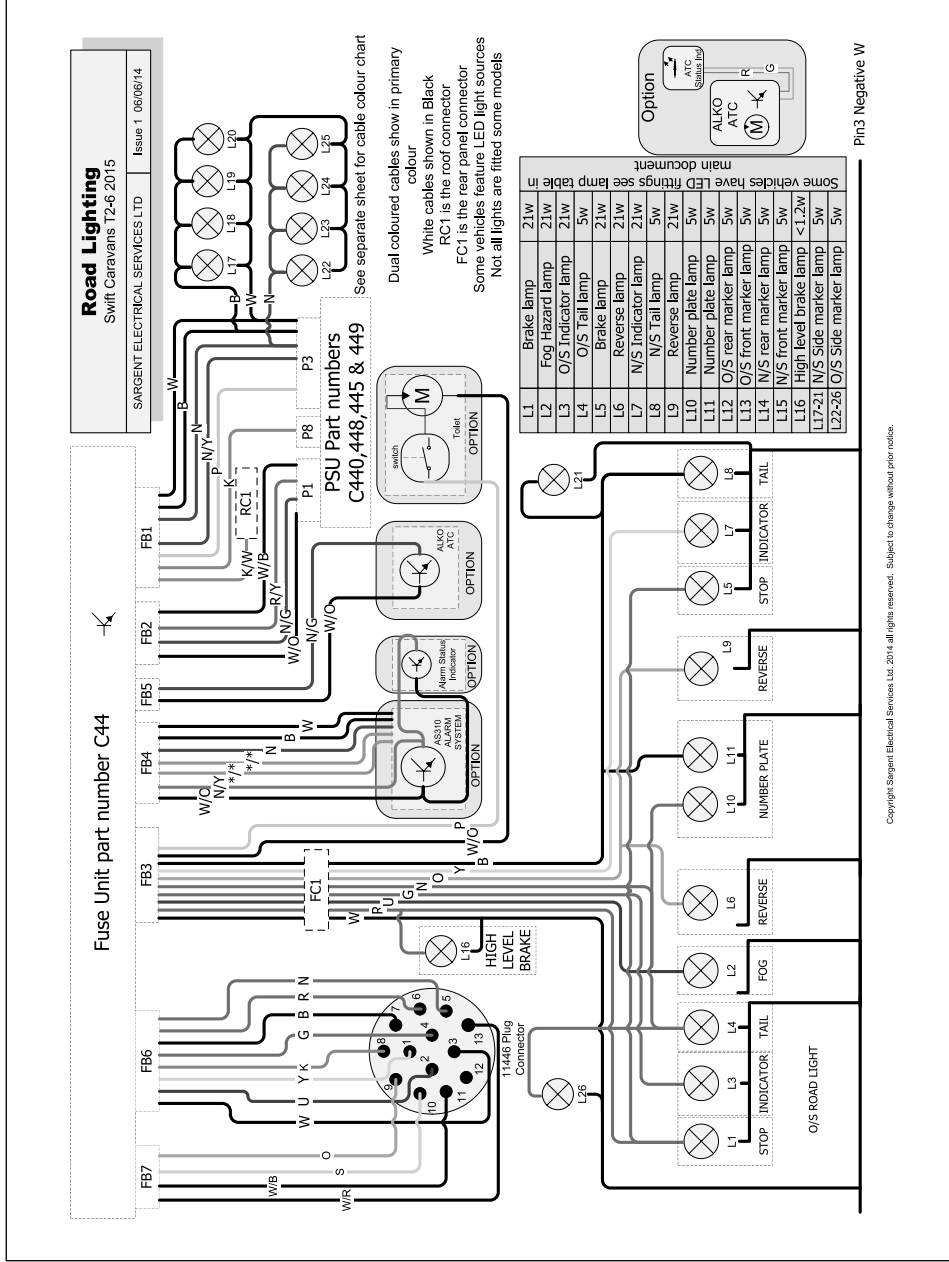
| 554                           | 584                           | 586                            | 640                            |
|-------------------------------|-------------------------------|--------------------------------|--------------------------------|
| 4                             | 4                             | 6                              | 6                              |
| 1                             | 1                             | 1                              | 2                              |
| 5.60m/18'4"                   | 5.83m/19'2"                   | 5.83m/19'2"                    | 6.27m/20'7"                    |
| 2.25m/7'5"                    | 2.25m/7'5"                    | 2.25m/7'5"                     | 2.25m/7'5"                     |
| 2.65m/8'8"                    | 2.65m/8'8"                    | 2.65m/8'8"                     | 2.62m/8'7"                     |
| 1.95m/6'5"                    | 1.95m/6'5"                    | 1.95m/6'5"                     | 1.95m/6'5"                     |
| 7.25m/23'9"                   | 7.48m/24'6"                   | 7.48m/24'6"                    | 7.93m/26'0"                    |
| 9.99m/32'9"                   | 10.22m/33'6"                  | 10.22m/33'6"                   | 10.66m/35'0"                   |
| 1272kg/25.0cwt                | 1302kg/25.6cwt                | 1363kg/26.8cwt                 | 1534kg/30.2cwt                 |
| 1425kg/28.1cwt                | 1458kg/28.7cwt                | 1550kg/30.5cwt                 | 1750kg/34.4cwt                 |
| 1500kg/29.5cwt                | 1500kg/29.5cwt                | 1550kg/30.5cwt                 | 1850kg/36.4cwt                 |
| 153kg/3.0cwt                  | 156kg/3.1cwt                  | 187kg/3.7cwt                   | 216kg/4.3cwt                   |
| 153kg/3.0cwt                  | 156kg/3.1cwt                  | 176kg/3.5cwt                   | 180kg/3.5cwt                   |
| 0kg/0cwt                      | 0kg/0cwt                      | 0kg/0cwt                       | 0kg/0cwt                       |
| 185 R14C 102Q                 | 185 R14C 102Q                 | 185 R14C 102Q                  | 185/70 R14 88T                 |
| 4.1 bar / 59 psi              | 4.2 bar / 61 psi              | 4.5 bar / 65 psi               | 2.1 bar / 30 psi               |
| 4.4 bar / 64 psi              | 4.4 bar / 64 psi              | 4.5 bar / 65 psi               | 2.3 bar / 33 psi               |
| 100kg                         | 100kg                         | 100kg                          | 100kg                          |
| THREE                         | THREE                         | THREE                          | THREE                          |
|                               |                               |                                |                                |
| 202cm x 159cm/<br>6'8" x 5'3" | 202cm x 159cm/<br>6'8" x 5'3" | 202cm x 180cm/<br>6'8" x 5'11" | 202cm x 180cm/<br>6'8" x 5'11" |
| 160cm x 72cm/5'3" x 2'4"      | 160cm x 72cm/5'3" x 2'4"      | 190cm x 72cm/6'3" x 2'4"       | 190cm x 72cm/6'3" x 2'4"       |
| 160cm x 72cm/5'3" x 2'4"      | 160cm x 72cm/5'3" x 2'4"      | 180cm x 72cm/5'11" x 2'4"      | 180cm x 72cm/5'11" x 2'4"      |
| 191cm x 133cm/6'3" x 4'4"     | 191cm x 133cm/6'3" x 4'4"     |                                | 202cm x 133cm/6'8" x 4'4"      |
|                               |                               |                                |                                |
|                               |                               |                                | 186cm x 64cm/6'1" x 2'1"       |
|                               |                               | 180cm x 62cm/5'11" x 2'0"      | 176cm x 64cm/5'9" x 2'1"       |
|                               |                               |                                | 173cm x 59cm/5'8" x 1'11"      |
|                               |                               | 176cm x 59cm/5'9" x 1'11"      | 163cm x 59cm/5'4" x 1'11"      |
|                               |                               |                                |                                |
|                               |                               | 183cm x 57cm/6'0" x 1'10"      |                                |
|                               |                               |                                |                                |
|                               |                               | 183cm x 57cm/6'0" x 1'10"      |                                |

**Awning sizes:** Due to varying awning designs and sizes the awning sizes given are approximate only. Specific awning sizes must be confirmed by your dealer or awning manufacturer prior to purchase.

\* The dimensions given are approximate due to slight variations in suspension ride heights, loading conditions and tyre pressures. Customers should verify the actual dimensions of their touring caravan before committing to anything that could be impacted by these dimensions

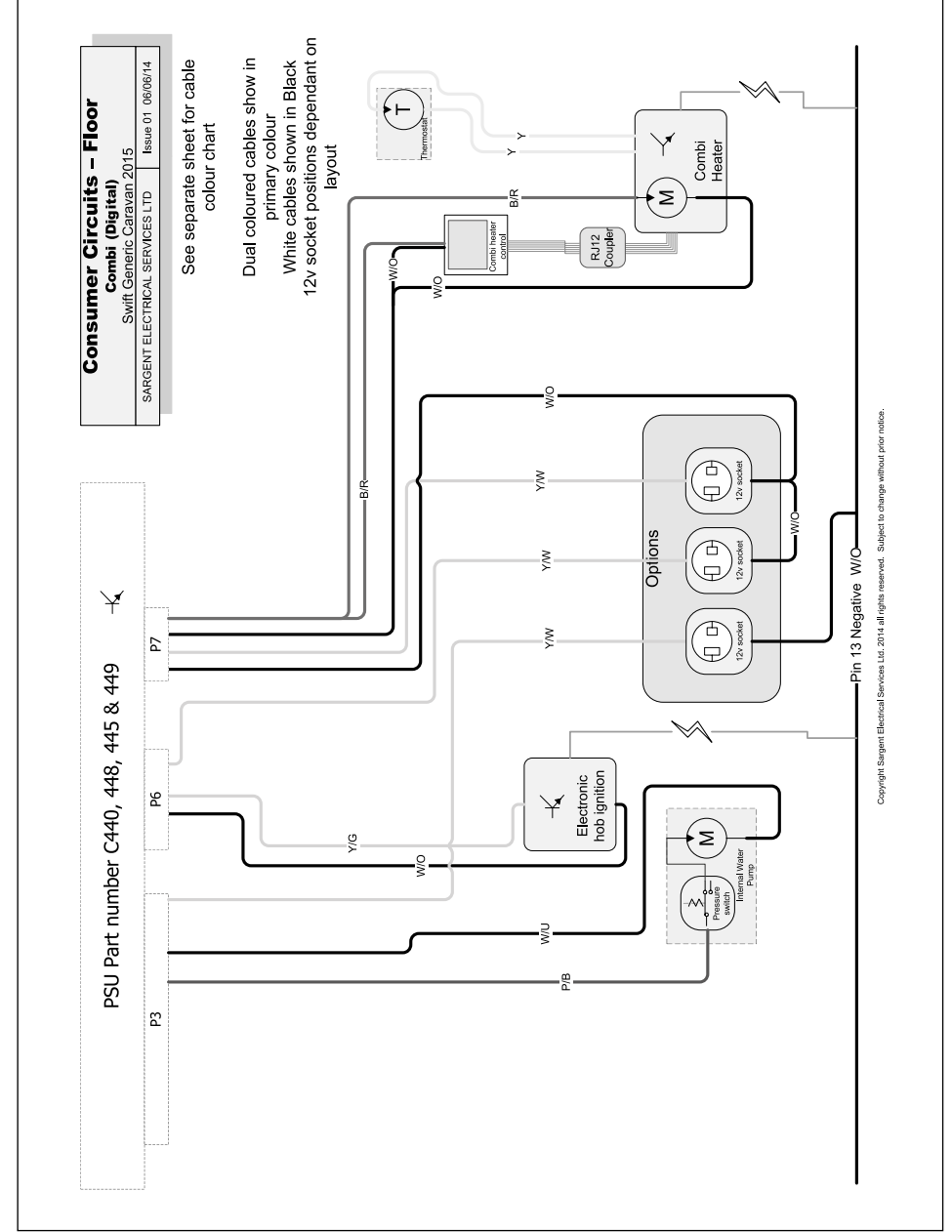
**Please note:** Any dealer fit options will reduce the overall payload available to the user of the caravan. If you require additional payload it is possible to upgrade the MTPLM to the upper limit. Please contact your Swift caravan dealer for more information.

## Challenger Sport - Eccles Sport Road lighting circuits



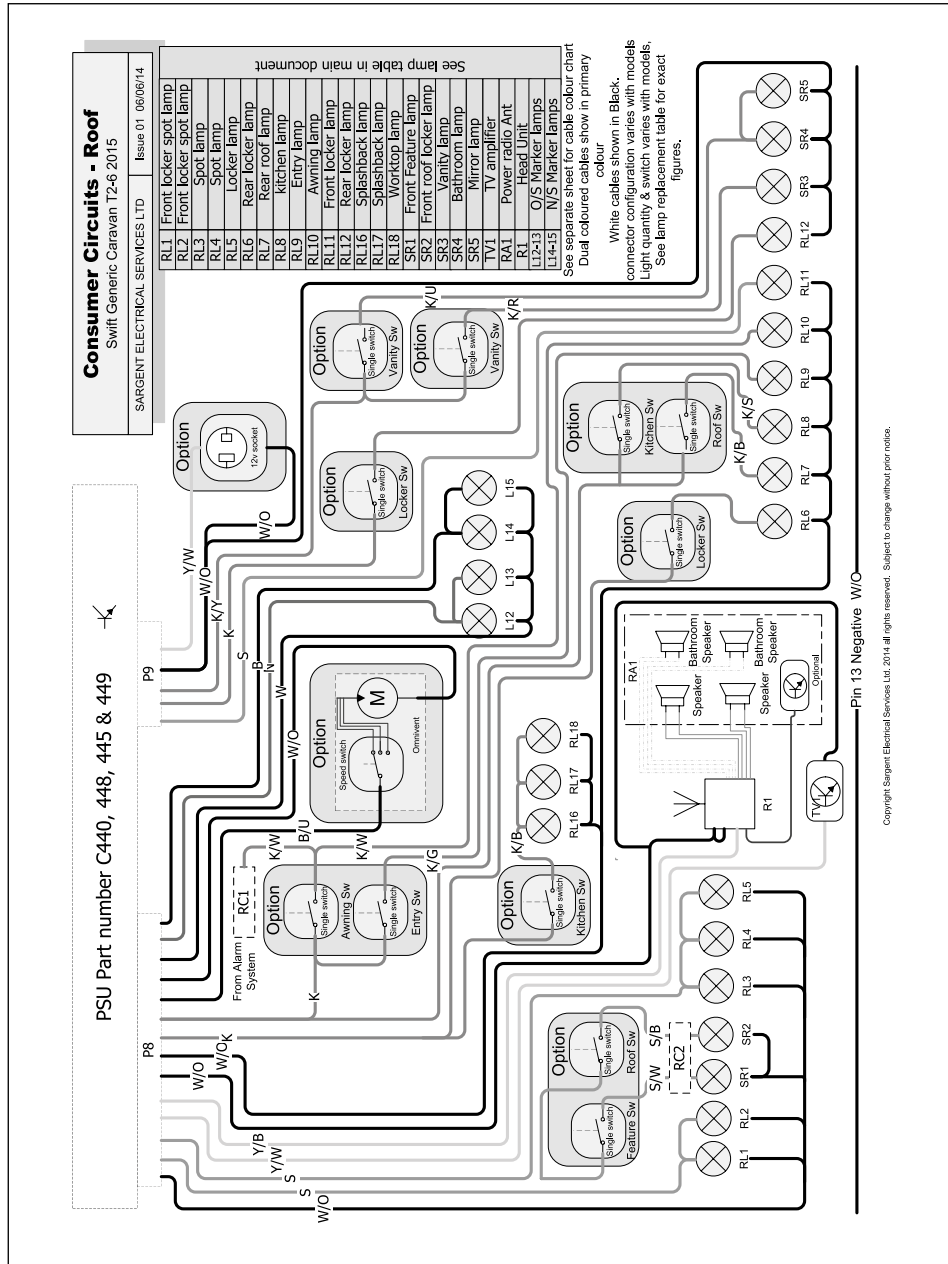
Copyright Sargent Electrical Services Ltd. 2014 all rights reserved. Subject to change without prior notice.

## Challenger Sport - Eccles Sport - Consumer Circuits - Floor circuits

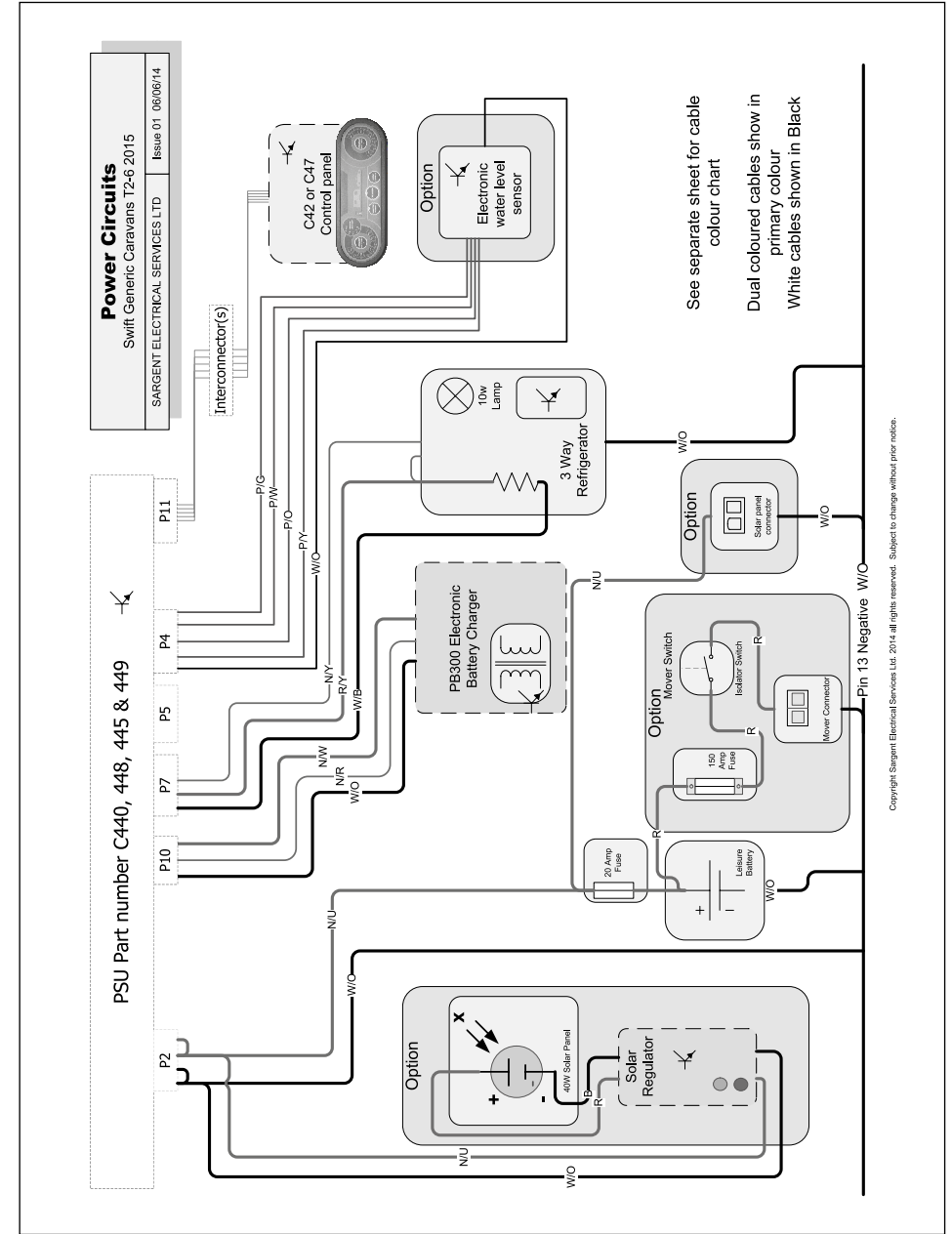


Copyright Sargent Electrical Services Ltd. 2014 all rights reserved. Subject to change without prior notice.

## Challenger Sport - Eccles Sport - Roof lighting circuits



## Challenger Sport - Eccles Sport - Power circuits






## Challenger Sport - Eccles Sport - Cable Colour Chart

|          |            |
|----------|------------|
| <b>B</b> | BLACK      |
| <b>N</b> | BROWN      |
| <b>R</b> | RED        |
| <b>O</b> | ORANGE     |
| <b>Y</b> | YELLOW     |
| <b>G</b> | GREEN      |
| <b>U</b> | BLUE       |
| <b>P</b> | PURPLE     |
| <b>S</b> | SLATE GREY |
| <b>W</b> | WHITE      |
| <b>K</b> | PINK       |


**12v Cable Colours**



**Y/U** Example  
Yellow cable with Blue stripe

|          |        |
|----------|--------|
| <b>B</b> | BLACK  |
| <b>N</b> | BROWN  |
| <b>W</b> | WHITE  |
| <b>O</b> | ORANGE |
| <b>Y</b> | YELLOW |
| <b>G</b> | GREEN  |
| <b>U</b> | BLUE   |

**230v Cable Colours**



**Cable Colour Chart**  
Swift range  
SARGENT ELECTRICAL SERVICES LTD  
Issue 06/07/10

Copyright Sargent Electrical Services Ltd. 2014. All rights reserved. Subject to change without prior notice.

| Exterior Lights                             | Bulb type   | Bulb rating  |
|---|---|--------------|
| Front marker lights                         | W5W   | 12v 5w       |
| Side marker - Low Level                     | W5W   | 12v 5w       |
| Side marker - High Level                    | R5W   | 12v 5w       |
| Reversing light                             | P21   | 12v 21w      |
| Rear indicator light                        | P21   | 12v 21w      |
| Brake / tail light                          | P21/5W  | 12v 21w / 5w |
| Fog light                                   | P21   | 12v 21w      |
| Number plate light                          | C5W   | 12v 5w       |
| High level brake light                      | T5/13.5   | 12v 2.3w     |
| Interior / Other Lights                     | Bulb type   | Bulb rating  |
| Awning lamp, LED                            | LED complete unit FEM0945                         | 12v LED      |
| Awning lamp, LED with alarm indicator       | LED complete unit FEM1225-W                       | 12v LED      |
| Over locker LED strip light                 | FEM-1183NW flexible LED light strip               | 12v LED      |
| Ceiling light, triple LED (Kitchen area)    | FEM0858 complete lamp                             | 12v LED      |
| Ceiling light, halogen (Bathroom area)      | Halogen capsule bulb                              | 12v 10w      |
| Ceiling light, halogen (White, shower area) | Halogen capsule bulb                              | 12v 10w      |
| Forward ceiling LED strip light             | LED strip FEM0937A                                | 12v LED      |
| Kitchen light                               | Cold Cathode complete unit                        | 12v 4.8w     |
| Locker spotlights                           | LED Complete unit FEM0854                         | 12v LED      |
| Locker spotlights with dimmer               | LED Complete unit FEM1168                         | 12v LED      |
| Downlights, small format                    | LED Complete unit FEM1189                         | 12v LED      |
| Downlight, shower cubicle, 3-stud           | LED Complete unit FEM0856                         | 12v LED      |
| Illuminated panel or mirror backlight       | FEM-1214 flexible LED light strip (cut to length) | 12v LED      |
| Bunk light                                  | LED Complete unit SCS-KIM2                        | 12v LED      |

Note: Not all bulbs and lights feature on all models within a range



## Bulb replacement

### CHALLENGER SPORT/ ECCLES SPORT ROAD LIGHT BULB ACCESS

#### STOP / TAIL / INDICATOR AND REVERSE LAMPS

- Bulb access is from front / via lense of each lamp
- Remove 2x screws from each light lense and withdraw lense
- Bulbs are a bayonet fitting – apply slight pressure on bulb towards light fitting, and twist to release
- Reverse procedure to re-fit bulb and lense.
- Take care when replacing stop/tail lamp bulb, that orientation of bulb is correct – to check, brake light operation should be brighter than tail lamp operation.

#### REAR CENTRAL FOG LIGHT

- Bulb access is from front / via lense of lamp
- Remove 2x screws from light lense and withdraw lense
- Bulb is a bayonet fitting – apply slight pressure on bulb towards light fitting, and twist to release
- Reverse procedure to re-fit bulb and lense.

#### UPPER REAR SIDE POSITION LAMPS (RED / CLEAR LENSE)

- Lense is removed from base to access bulb
- Carefully insert small flat bladed screwdriver into recess in lower edge of lamp base. Apply pressure to release locking barb.
- Lift lense upwards and away from lamp base, lower edge first
- Lever bulb out of retaining clips
- Reverse procedure to re-fit bulb and lense

### HIGH LEVEL BRAKE LAMP

- Remove 2x screw cover caps from front face of lamp using small flat bladed screwdriver.
- Remove screws at either end of lamp, and withdraw whole fitting away from rear panel of caravan
- Disconnect lamp from harness
- Re-connect new lamp to harness, and secure lamp to caravan body with 2x screws
- Lamp retaining screws are fixed into a rubber sleeve with a threaded insert, often known as a rawlnut. If lamp has been removed / re-fitted several times the rubber sleeve may need replacing, these are available through your dealer

### NUMBER PLATE LAMPS

- Bulb access is from the front / via lense of each lamp
- Remove the two screws in the lense of the lamp
- Lever the bulb out of retaining clips
- Reverse the procedure to re-fit a new bulb and the light lense

### FRONT MARKER POSITION LAMPS

- Bulb access is from rear of lamp
- Remove 2x screws from light fitting, and withdraw whole fitting from caravan front panel
- Harness plugs into bulb holder – Twist bulb holder relative to lamp body to release bulb holder from lamp body
- Bulbs are push fit into bulb holder – pull bulb directly away from holder to release
- Reverse procedure to replace bulb in holder, holder in lamp and lamp onto caravan body.

### SIDE MARKER POSITION LAMPS

- Bulb access is from rear of lamp. First check from within caravan if the rear of the lamp is accessible:
- If rear of light is accessible:
- Harness plugs into bulb holder – Twist bulb holder relative to lamp body to release bulb holder from lamp body
- Bulbs are push fit into bulb holder – pull bulb directly away from holder to release
- Reverse procedure to replace bulb in holder and holder in lamp
- If rear of light is not accessible:
- Remove 2x screws from light fitting, and withdraw whole fitting from caravan body
- Harness plugs into bulb holder – Twist bulb holder relative to lamp body to release bulb holder from lamp body
- Bulbs are push fit into bulb holder – pull bulb directly away from holder to release
- Reverse procedure to replace bulb in holder, holder in lamp and lamp onto caravan body

