



**SWIFT GROUP**

Dunswell Road  
Cottingham  
East Yorkshire HU16 4JX  
Tel 01482 875740  
Fax 01482 840082  
email [enquiry@swiftgroup.co.uk](mailto:enquiry@swiftgroup.co.uk)

For more information visit  
[www.swiftgroup.co.uk](http://www.swiftgroup.co.uk)

Issued July 2016

# 2017 CARAVAN

## TECHNICAL HANDBOOK

---

FIND OUT MORE [SWIFTGROUP.CO.UK](http://SWIFTGROUP.CO.UK)



BROCHURE  
DOWNLOADS



FIND A  
DEALER



FACEBOOK AND  
[SWIFT-TALK.CO.UK](http://SWIFT-TALK.CO.UK)



PRODUCT VIDEOS  
[SWIFTTV.CO.UK](http://SWIFTTV.CO.UK)



Sprite Freedom Specification ..... 2

Sprite Specification ..... 4

Challenger / Eccles Alde Specification ..... 6

Challenger / Eccles Truma Specification..... 8

Conqueror / Elite Specification..... 10

Elegance / Continental Specification ..... 12

Wiring Diagrams ..... 14

13 Pin Socket ..... 20

Cable Colours..... 21

Bulb Chart / Replacement..... 22

# Sprite Freedom Specification

Sprite Freedom	Freedom 6	Freedom 6TD	Freedom FB
Berths	6	6	6
Axles	1	1	2
Internal Length (bed box height)	5.60m/18'4"	5.83m/19'2"	6.27m/20'7"
Overall Width**	2.23m/7'4"	2.23m/7'4"	2.23m/7'4"
Overall Height (inc. TV Aerial)**	2.58m/8'6"	2.58m/8'6"	2.55m/8'4"
Maximum Internal Headroom	1.95m/6'5"	1.95m/6'5"	1.95m/6'5"
Overall Length**	7.25m/23'9"	7.48m/24'6"	7.92m/26'0"
Awning A/A dimension	9.99m/32'9"	10.22m/33'6"	10.66m/35'0"
Mass in Running Order (inc. tolerance)	1187kg/23.4cwt	1222kg/24.1cwt	1320kg/26.0cwt
Maximum Technical Permissible Laden Mass (Lower limit)	1360kg/26.8cwt	1398kg/27.5cwt	1500kg/29.5cwt
Maximum Technical Permissible Laden Mass (Upper limit)	1500kg/29.5cwt	1500kg/29.5cwt	1600kg/31.5cwt
Total user Payload	173kg/3.4cwt	176kg/3.5cwt	180kg/3.5cwt
Personal Effects	173kg/3.4cwt	176kg/3.5cwt	180kg/3.5cwt
Options	0.0kg/0.0cwt	0.0kg/0.0cwt	0.0kg/0.0cwt
Tyre Size	185 R14C 102Q	185 R14C 102Q	185/70 R14 88 T
Tyre pressure at Lower limit MTPLM	3.9 bar / 57 psi	4.0 bar / 58 psi	1.8 bar / 26 psi
Tyre pressure at Upper limit MTPLM	4.4 bar / 64 psi	4.4 bar / 64 psi	1.9 bar / 28 psi
Static Load on Coupling Head	100kg	100kg	100kg
Thermal Insulation Grade	THREE	THREE	THREE
<b>Bed Sizes</b>			
Front Double	202cm x 170cm/6'8" x 5'7"	202cm x 180cm/6'8" x 5'11"	202cm x 180cm/6'8" x 5'11"
or Front Nearside Single and Front Offside Single		190cm x 72cm/6'3" x 2'4"	180cm x 72cm/5'11" x 2'4"
Rear Double			192cm x 132cm/6'4" x 4'4"
Side Single (offside)	180cm x 83cm/5'11" x 2'9"		180cm x 62cm/5'11" x 2'0"
Side Single (nearside)		180cm x 67cm/5'11" x 2'2"	
Side Bunk (offside)	176cm x 59cm/5'9" x 1'11"		176cm x 59cm/5'9" x 1'11"
Side Bunk (nearside)		176cm x 59cm/5'9" x 1'11"	
Side Fixed Lower Bunk	183cm x 57cm/6'0" x 1'10"	183cm x 57cm/6'0" x 1'10"	
Side Fixed Upper Bunk	183cm x 57cm/6'0" x 1'10"	183cm x 57cm/6'0" x 1'10"	

**Masses:** The masses are calculated in accordance to EU regulation 1230/2012 and NCC code of practice 304.

The Mass in Running Order (MRO) comprises:

- The mass of the empty caravan as supplied by Swift including loose items such as the hook-up cable, kit bag, entrance step, manuals etc.
- 10kg allowance for LPG

The MRO is calculated with the fresh water tank, toilet flush tank and water heater empty. If you travel with water in the fresh water tank, toilet flush tank and the water heater the payload will reduce accordingly.

The personal effects is based on the number of berths and the length of the caravan and includes an allowance of 20kg for a leisure battery.

The Maximum Technical Laden Mass (MTPLM) is the maximum mass allowed when the caravan is fully laden.

**WARNING: Under no circumstances should the MTPLM be exceeded**

**Bed Sizes :** Please note that the front double bed sizes quoted are for seating configurations without chest of drawers. The front double bed width for a layout with a chest of drawers fitted will be reduced by 0.4m(1'4") from that stated.

**Awning sizes:** Due to the varying awning designs and sizes the awning sizes given are approximate only. Specific awning sizes must be confirmed by your dealer or the awning manufacturer prior to purchase.

\*Estimated weight or bed size

\*\*The dimensions given are approximate due to slight variations in suspension ride heights, loading conditions and tyre pressures.

Customers should verify the actual dimensions of their touring caravan before committing to anything that could be impacted by these dimensions

**Please note:** Any dealer fit options will reduce the overall payload available to the user of the caravan.

If you require additional payload it is possible to upgrade the MTPLM to the upper limit. Please contact your caravan dealer for more information.

# Sprite Specification

Sprite	Alpine 2	Alpine 4	Major 4 SB	Major 4 EB
Berths	2	4	4	4
Axles	1	1	1	1
Internal Length (bed box height)	4.34m/14'3"	4.74m/15'7"	5.83m/19'2"	5.83m/19'2"
Overall Width**	2.23m/7'4"	2.23m/7'4"	2.23m/7'4"	2.23m/7'4"
Overall Height (inc. TV Aerial)**	2.67m/8'9"	2.67m/8'9"	2.68m/8'9"	2.68m/8'9"
Maximum Internal Headroom	1.95m/6'5"	1.95m/6'5"	1.95m/6'5"	1.95m/6'5"
Overall Length**	5.99m/19'8"	6.39m/21'0"	7.48m/24'6"	7.48m/24'6"
Awning A/A dimension	8.73m/28'8"	9.14m/30'0"	10.22m/33'6"	10.22m/33'6"
Mass in Running Order (inc. tolerance)	1020kg/20.1cwt	1054kg/20.7cwt	1209kg/23.8cwt	1232kg/24.3cwt
Maximum Technical Permissible Laden Mass (Lower limit)	1186kg/23.3cwt	1244kg/24.5cwt	1410kg/27.8cwt	1433kg/28.2cwt
Maximum Technical Permissible Laden Mass (Upper limit)	1250kg/24.6cwt	1300kg/25.6cwt	1500kg/29.5cwt	1500kg/29.5cwt
Total user Payload	166kg/3.3cwt	190kg/3.7cwt	201kg/4.0cwt	201kg/4.0cwt
Personal Effects	121kg/2.4cwt	145kg/2.9cwt	156kg/3.1cwt	156kg/3.1cwt
Options	45kg/0.9cwt	45kg/0.9cwt	45kg/0.9cwt	45kg/0.9cwt
Tyre Size	185 R14C 102Q	185 R14C 102Q	185 R14C 102Q	185 R14C 102Q
Tyre pressure at Lower limit MTPLM	3.3 bar / 48 psi	3.5 bar / 51 psi	4.1 bar / 59 psi	4.1 bar / 59 psi
Tyre pressure at Upper limit MTPLM	3.5 bar / 51 psi	3.7 bar / 54 psi	4.4 bar / 64 psi	4.4 bar / 64 psi
Static Load on Coupling Head	100kg	100kg	100kg	100kg
Thermal Insulation Grade	THREE	THREE	THREE	THREE
<b>Bed Sizes</b>				
Front Double	202cm x 180cm/6'8" x 5'11"	202cm x 128cm/6'8" x 4'2"	202cm x 159cm/6'8" x 5'3"	202cm x 159cm/6'8" x 5'3"
or Front Nearside Single	190cm x 72cm/6'3" x 2'4"		159cm x 72cm/5'3" x 2'4"	159cm x 72cm/5'3" x 2'4"
and Front Offside Single	180cm x 72cm/ 5'11" x 2'4"		159cm x 72cm/5'3" x 2'4"	159cm x 72cm/5'3" x 2'4"
Rear Double		189cm x 132cm/ 6'2" x 4'4"	185cm x 133cm/ 6'1" x 4'4"	190cm x 133cm/ 6'3" x 4'4"
Side Single (offside)				
Side Single (nearside)				
Side Bunk (offside)				
Side Bunk (nearside)				
Side Fixed Lower Bunk				
Side Fixed Upper Bunk				

**Masses:** The masses are calculated in accordance to EU regulation 1230/2012 and NCC code of practice 304.

The Mass in Running Order (MRO) comprises:

1. The mass of the empty caravan as supplied by Swift including loose items such as the hook-up cable, kit bag, entrance step, manuals etc.
2. 10kg allowance for LPG

The MRO is calculated with the fresh water tank, toilet flush tank and water heater empty. If you travel with water in the fresh water tank, toilet flush tank and the water heater the payload will reduce accordingly.

The personal effects is based on the number of berths and the length of the caravan and includes an allowance of 20kg for a leisure battery.

The Maximum Technical Laden Mass (MTPLM) is the maximum mass allowed when the caravan is fully laden.

**WARNING: Under no circumstances should the MTPLM be exceeded**

Major 6	Major 6 TD	Quattro EW	Quattro FB	Quattro DD
6	6	6	6	6
1	1	2	2	2
5.60m/18'4"	5.83m/19'2"	6.27m/20'7"	6.27m/20'7"	6.27m/20'7"
2.23m/7'4"	2.23m/7'4"	2.23m/7'4"	2.23m/7'4"	2.23m/7'4"
2.68m/8'9"	2.68m/8'9"	2.65m/8'8"	2.65m/8'8"	2.65m/8'8"
1.95m/6'5"	1.95m/6'5"	1.95m/6'5"	1.95m/6'5"	1.95m/6'5"
7.25m/23'9"	7.48m/24'6"	7.92m/26'0"	7.92m/26'0"	7.92m/26'0"
9.99m/32'9"	10.22m/33'6"	10.66m/35'0"	10.66m/35'0"	10.66m/35'0"
1227kg/24.2cwt	1263kg/24.9cwt	1358kg/26.7cwt	1363kg/26.8cwt	1399kg/27.5cwt *
1445kg/28.4cwt	1484kg/29.2cwt	1583kg/31.2cwt	1588kg/31.3cwt	1624kg/32.0cwt *
1500kg/29.5cwt	1500kg/29.5cwt	1800kg/35.4cwt	1800kg/35.4cwt	1800kg/35.4cwt
218kg/4.3cwt	221kg/4.4cwt	225kg/4.4cwt	225kg/4.4cwt	225kg/4.4cwt
173kg/3.4cwt	176kg/3.5cwt	180kg/3.5cwt	180kg/3.5cwt	180kg/3.5cwt
45kg/0.9cwt	45kg/0.9cwt	45kg/0.9cwt	45kg/0.9cwt	45kg/0.9cwt
185 R14C 102Q	185 R14C 102Q	185/70 R14 88T	185/70 R14 88T	185/70 R14 88T
4.2 bar / 61 psi	4.3 bar / 62 psi	1.9 bar / 28 psi	1.9 bar / 28 psi	1.9 bar / 28 psi
4.4 bar / 64 psi	4.4 bar / 64 psi	2.2 bar / 32 psi	2.2 bar / 32 psi	2.2 bar / 32 psi
100kg	100kg	100kg	100kg	100kg
THREE	THREE	THREE	THREE	THREE
202cm x 170cm/6'8" x 5'7"	202cm x 180cm/ 6'8" x 5'11"	206cm x 134cm/6'9" x 4'5"	202cm x 180cm/ 6'8" x 5'11"	202cm x 180cm/ 6'8" x 5'11"
	190cm x 72cm/6'3" x 2'4"		180cm x 72cm/5'11" x 2'4"	190cm x 72cm/6'3" x 2'4"
	180cm x 72cm/5'11" x 2'4"		190cm x 72cm/6'3" x 2'4"	180cm x 72cm/5'11" x 2'4"
		194cm x 132cm/6'4" x 4'4"	192cm x 132cm/6'4" x 4'4"	202cm x 133cm/6'8" x 4'4"
180cm x 83cm/5'11" x 2'9"		180cm x 62cm/5'11" x 2'0"	180cm x 62cm/5'11" x 2'0"	186cm x 64cm/6'1" x 2'1"
	180cm x 67cm/5'11" x 2'2"			176cm x 64cm/5'9" x 2'1"
176cm x 59cm/5'9" x 1'11"		176cm x 59cm/5'9" x 1'11"	176cm x 59cm/5'9" x 1'11"	173cm x 59cm/5'8" x 1'11"
	176cm x 59cm/5'9" x 1'11"			163cm x 59cm/5'4" x 1'11"
183cm x 57cm/6'0" x 1'10"	183cm x 57cm/6'0" x 1'10"			
183cm x 57cm/6'0" x 1'10"	183cm x 57cm/6'0" x 1'10"			

**Bed Sizes:** Please note that the front double bed sizes quoted are for seating configurations without chest of drawers. The front double bed width for a layout with a chest of drawers fitted will be reduced by 0.4m(1'4") from that stated.

**Awning sizes:** Due to the varying awning designs and sizes the awning sizes given are approximate only. Specific awning sizes must be confirmed by your dealer or the awning manufacturer prior to purchase.

\*Estimated weight or bed size

\*\*The dimensions given are approximate due to slight variations in suspension ride heights, loading conditions and tyre pressures.

Customers should verify the actual dimensions of their touring caravan before committing to anything that could be impacted by these dimensions

**Please note:** Any dealer fit options will reduce the overall payload available to the user of the caravan.

If you require additional payload it is possible to upgrade the MTPLM to the upper limit. Please contact your caravan dealer for more information.

# Challenger / Eccles Specification (Alde)

Challenger (Alde heating)	Challenger 480	Challenger 510	Challenger 530	Challenger 560
Eccles (Alde heating)	Eccles 480	Eccles 510	Eccles 530	Eccles 560
Berths	2	4	4	4
Axles	1	1	1	1
Internal Length (bed box height)	4.40m/14'5"	5.23m/17'2"	5.29m/17'4"	5.83m/19'2"
Overall Width**	2.23m/7'4"	2.23m/7'4"	2.23m/7'4"	2.23m/7'4"
Overall Height (inc. TV Aerial)**	2.61m/8'7"	2.61m/8'7"	2.61m/8'7"	2.61m/8'7"
Maximum Internal Headroom	1.95m/6'5"	1.95m/6'5"	1.95m/6'5"	1.95m/6'5"
Overall Length**	6.11m/20'1"	6.94m/22'9"	7.00m/23'0"	7.54m/24'9"
Awning A/A dimension	8.77m/28'9"	9.60m/31'6"	9.66m/31'8"	10.20m/33'6"
Mass in Running Order (inc. tolerance)	1166kg/23.0cwt	1278kg/25.2cwt	1313kg/25.8cwt	1338kg/26.3cwt *
Maximum Technical Permissible Laden Mass (Lower limit)	1288kg/25.4cwt	1428kg/28.1cwt	1464kg/28.8cwt	1494kg/29.4cwt *
Maximum Technical Permissible Laden Mass (Upper limit)	1350kg/26.6cwt	1500kg/29.5cwt	1500kg/29.5cwt	1550kg/30.5cwt
Total user Payload	122kg/2.4cwt	150kg/3.0cwt	151kg/3.0cwt	156kg/3.1cwt
Personal Effects	122kg/2.4cwt	150kg/3.0cwt	151kg/3.0cwt	156kg/3.1cwt
Options	0.0kg/0.0cwt	0.0kg/0.0cwt	0.0kg/0.0cwt	0.0kg/0.0cwt
Tyre Size	185 R14C 102Q	185 R14C 102Q	185 R14C 102Q	185 R14C 102Q
Tyre pressure at Lower limit MTPLM	3.6 bar / 52 psi	4.1 bar / 59 psi	4.2 bar / 61 psi	4.4 bar / 64 psi
Tyre pressure at Upper limit MTPLM	3.8 bar / 55 psi	4.4 bar / 64 psi	4.4 bar / 64 psi	4.5 bar / 65 psi
Static Load on Coupling Head	100kg	100kg	100kg	100kg
Thermal Insulation Grade	THREE	THREE	THREE	THREE
<b>Bed Sizes</b>				
Front Double	202cm x 176cm/6'8" x 5'9"	202cm x 149cm/6'8" x 4'11"	202cm x 176cm/6'8" x 5'9"	202cm x 156cm/6'8" x 5'11"
or Front Nearside Single	186cm x 72cm/6'1" x 2'4"	149cm x 72cm/ 4'11" x 2'4"	176cm x 72cm/5'9" x 2'4"	156cm x 72cm/ 5'1" x 2'4"
and Front Offside Single	176cm x 72cm/5'9" x 2'4"	156cm x 72cm/5'1" x 2'4"	186cm x 72cm/6'1" x 2'4"	156cm x 72cm/ 5'1" x 2'4"
Rear Double		198cm x 130cm/ 6'6" x 4'3"		190cm x 133cm/ 6'3" x 4'4"
Side Single (offside)			180cm x 62cm/5'11" x 2'0"	
Side Single (nearside)				
Side Bunk (offside)			176cm x 59cm/ 5'9" x 1'11"	
Side Bunk (nearside)				
Side Fixed Lower Bunk				
Side Fixed Upper Bunk				

**Masses:** The masses are calculated in accordance to EU regulation 1230/2012 and NCC code of practice 304.

The Mass in Running Order (MRO) comprises:

- The mass of the empty caravan as supplied by Swift including loose items such as the hook-up cable, kit bag, entrance step, manuals etc.
- 10kg allowance for LPG

The MRO is calculated with the fresh water tank, toilet flush tank and water heater empty. If you travel with water in the fresh water tank, toilet flush tank and the water heater the payload will reduce accordingly.

The personal effects is based on the number of berths and the length of the caravan and includes an allowance of 20kg for a leisure battery.

The Maximum Technical Laden Mass (MTPLM) is the maximum mass allowed when the caravan is fully laden.

**WARNING: Under no circumstances should the MTPLM be exceeded**

Challenger 565	Challenger 580	Challenger 590	Challenger 635	Challenger 645
Eccles 565	Eccles 580	Eccles 590	Eccles 635	Eccles 645
4	4	6	4	4
1	1	1	2	2
5.60m/18'4"	5.83m/19'2"	5.83m/19'2"	6.27m/20'7"	6.27m/20'7"
2.23m/7'4"	2.23m/7'4"	2.23m/7'4"	2.23m/7'4"	2.23m/7'4"
2.61m/8'7"	2.61m/8'7"	2.61m/8'7"	2.61m/8'7"	2.61m/8'7"
1.95m/6'5"	1.95m/6'5"	1.95m/6'5"	1.95m/6'5"	1.95m/6'5"
7.31m/24'0"	7.54m/24'9"	7.54m/24'9"	7.98m/26'2"	7.98m/26'2"
9.97m/32'9"	10.20m/33'6"	10.20m/33'6"	10.64m/34'11"	10.64m/34'11"
1343kg/26.4cwt	1353kg/26.6cwt	1439kg/28.3cwt	1540kg/30.3cwt	1495kg/29.4cwt
1497kg/29.5cwt	1509kg/29.7cwt	1615kg/31.8cwt	1700kg/33.5cwt	1655kg/32.6cwt Est
1550kg/30.5cwt	1550kg/30.5cwt	1650kg/32.5cwt	2000kg/39.4cwt	2000kg/39.4cwt Est
154kg/3.0cwt	156kg/3.1cwt	176kg/3.5cwt	160kg/3.1cwt	160kg/3.1cwt
154kg/3.0cwt	156kg/3.1cwt	176kg/3.5cwt	160kg/3.1cwt	160kg/3.1cwt
0.0kg/0.0cwt	0.0kg/0.0cwt	0.0kg/0.0cwt	0.0kg/0.0cwt	0.0kg/0.0cwt
185 R14C 102Q	185 R14C 102Q	195/70 R15C 104R	185/70 R14 88T	185/70 R14 88T
4.4 bar / 64 psi	4.4 bar / 64 psi	4.5 bar / 65 psi	2.0 bar / 29 psi	2.0 bar / 29 psi
4.5 bar / 65 psi	4.5 bar / 65 psi	4.5 bar / 65 psi	2.5 bar / 36 psi	2.5 bar / 36 psi
100kg	100kg	100kg	100kg	100kg
THREE	THREE	THREE	THREE	THREE
<b>Bed Sizes</b>				
202cm x 156cm/6'8" x 5'1"	202cm x 156cm/6'8" x 5'1"	202cm x 176cm/6'8" x 5'9"	202cm x 156cm/6'8" x 5'1"	202cm x 156cm/6'8" x 5'1"
156cm x 72cm/5'1" x 2'4"	156cm x 72cm/5'1" x 2'4"	186cm x 72cm/6'1" x 2'4"	156cm x 72cm/5'1" x 2'4"	156cm x 72cm/5'1" x 2'4"
156cm x 72cm/5'1" x 2'4"	156cm x 72cm/5'1" x 2'4"	176cm x 72cm/5'9" x 2'4"	156cm x 72cm/5'1" x 2'4"	156cm x 72cm/5'1" x 2'4"
	185cm x 133cm/6'1" x 4'4"		185cm x 133cm/6'1" x 4'4"	185cm x 133cm/6'1" x 4'4"
192cm x 68cm/6'4" x 2'3"				
183cm x 73cm/6'0" x 2'5"		178cm x 62cm/5'10" x 2'0"		
		169cm x 59cm/5'7" x 1'11"		
		181cm x 57cm/5'11" x 1'10"		
		181cm x 57cm/5'11" x 1'10"		

**Bed Sizes :** Please note that the front double bed sizes quoted are for seating configurations without chest of drawers. The front double bed width for a layout with a chest of drawers fitted will be reduced by 0.4m(1'4") from that stated.

**Awning sizes:** Due to the varying awning designs and sizes the awning sizes given are approximate only. Specific awning sizes must be confirmed by your dealer or the awning manufacturer prior to purchase.

\*Estimated weight or bed size

\*\*The dimensions given are approximate due to slight variations in suspension ride heights, loading conditions and tyre pressures.

Customers should verify the actual dimensions of their touring caravan before committing to anything that could be impacted by these dimensions

**Please note:** Any dealer fit options will reduce the overall payload available to the user of the caravan.

If you require additional payload it is possible to upgrade the MTPLM to the upper limit. Please contact your caravan dealer for more information.

# Challenger / Eccles Specification (Truma)

Challenger (Truma heating)	Challenger 480	Challenger 510	Challenger 530	Challenger 560
Eccles (Truma heating)	Eccles 480	Eccles 510	Eccles 530	Eccles 560
Berths	2	4	4	4
Axles	1	1	1	1
Internal Length (bed box height)	4.40m/14'5"	5.23m/17'2"	5.29m/17'4"	5.83m/19'2"
Overall Width**	2.23m/7'4"	2.23m/7'4"	2.23m/7'4"	2.23m/7'4"
Overall Height (inc. TV Aerial)**	2.61m/8'7"	2.61m/8'7"	2.61m/8'7"	2.61m/8'7"
Maximum Internal Headroom	1.95m/6'5"	1.95m/6'5"	1.95m/6'5"	1.95m/6'5"
Overall Length**	6.11m/20'1"	6.94m/22'9"	7.00m/23'0"	7.54m/24'9"
Awning A/A dimension	8.77m/28'9"	9.60m/31'6"	9.66m/31'8"	10.20m/33'6"
Mass in Running Order (inc. tolerance)	1151kg/22.7cwt	1257kg/24.7cwt	1298kg/25.5cwt	1318kg/25.9cwt *
Maximum Technical Permissible Laden Mass (Lower limit)	1273kg/25.1cwt	1407kg/27.7cwt	1449kg/28.5cwt	1474kg/29.0cwt *
Maximum Technical Permissible Laden Mass (Upper limit)	1350kg/26.6cwt	1500kg/29.5cwt	1500kg/29.5cwt	1500kg/29.5cwt
Total user Payload	122kg/2.4cwt	150kg/3.0cwt	151kg/3.0cwt	156kg/3.1cwt
Personal Effects	122kg/2.4cwt	150kg/3.0cwt	151kg/3.0cwt	156kg/3.1cwt
Options	0.0kg/0.0cwt	0.0kg/0.0cwt	0.0kg/0.0cwt	0.0kg/0.0cwt
Tyre Size	185 R14C 102Q	185 R14C 102Q	185 R14C 102Q	185 R14C 102Q
Tyre pressure at Lower limit MTPLM	3.6 bar / 52 psi	4.0 bar / 58 psi	4.2 bar / 61 psi	4.3 bar / 62 psi
Tyre pressure at Upper limit MTPLM	3.8 bar / 55 psi	4.4 bar / 64 psi	4.4 bar / 64 psi	4.4 bar / 64 psi
Static Load on Coupling Head	100kg	100kg	100kg	100kg
Thermal Insulation Grade	THREE	THREE	THREE	THREE
<b>Bed Sizes</b>				
Front Double	202cm x 176cm/6'8" x 5'9"	202cm x 149cm/6'8" x 4'11"	202cm x 176cm/6'8" x 5'9"	202cm x 156cm/6'8" x 5'1"
or Front Nearside Single	186cm x 72cm/6'1" x 2'4"	149cm x 72cm/ 4'11" x 2'4"	176cm x 72cm/5'9" x 2'4"	156cm x 72cm/ 5'11" x 2'4"
and Front Offside Single	176cm x 72cm/5'9" x 2'4"	156cm x 72cm/5'1" x 2'4"	186cm x 72cm/6'1" x 2'4"	156cm x 72cm/ 5'11" x 2'4"
Rear Double		198cm x 130cm/ 6'6" x 4'3"		190cm x 133cm/ 6'3" x 4'4"
Side Single (offside)			180cm x 62cm/5'11" x 2'0"	
Side Single (nearside)				
Side Bunk (offside)			176cm x 59cm/ 5'9" x 1'11"	
Side Bunk (nearside)				
Side Fixed Lower Bunk				
Side Fixed Upper Bunk				

**Masses:** The masses are calculated in accordance to EU regulation 1230/2012 and NCC code of practice 304.

The Mass in Running Order (MRO) comprises:

1. The mass of the empty caravan as supplied by Swift including loose items such as the hook-up cable, kit bag, entrance step, manuals etc.
2. 10kg allowance for LPG

The MRO is calculated with the fresh water tank, toilet flush tank and water heater empty. If you travel with water in the fresh water tank, toilet flush tank and the water heater the payload will reduce accordingly.

The personal effects is based on the number of berths and the length of the caravan and includes an allowance of 20kg for a leisure battery.

The Maximum Technical Laden Mass (MTPLM) is the maximum mass allowed when the caravan is fully laden.

**WARNING: Under no circumstances should the MTPLM be exceeded**

Challenger 565	Challenger 580	Challenger 590	Challenger 635	Challenger 645
Eccles 565	Eccles 580	Eccles 590	Eccles 635	Eccles 645
4	4	6	4	4
1	1	1	2	2
5.60m/18'4"	5.83m/19'2"	5.83m/19'2"	6.27m/20'7"	6.27m/20'7"
2.23m/7'4"	2.23m/7'4"	2.23m/7'4"	2.23m/7'4"	2.23m/7'4"
2.61m/8'7"	2.61m/8'7"	2.61m/8'7"	2.61m/8'7"	2.61m/8'7"
1.95m/6'5"	1.95m/6'5"	1.95m/6'5"	1.95m/6'5"	1.95m/6'5"
7.31m/24'0"	7.54m/24'9"	7.54m/24'9"	7.98m/26'2"	7.98m/26'2"
9.97m/32'9"	10.20m/33'6"	10.20m/33'6"	10.64m/34'11"	10.64m/34'11"
1323kg/26.0cwt	1333kg/26.2cwt	1419kg/27.9cwt	1520kg/29.9cwt	1475kg/29.0cwt
1477kg/29.1cwt	1489kg/29.3cwt	1600kg/31.5cwt	1680kg/33.1cwt	1635kg/32.2cwt
1500kg/29.5cwt	1500kg/29.5cwt	1600kg/31.5cwt	2000kg/39.4cwt	2000kg/39.4cwt
154kg/3.0cwt	156kg/3.1cwt	176kg/3.5cwt	160kg/3.1cwt	160kg/3.1cwt
154kg/3.0cwt	156kg/3.1cwt	176kg/3.5cwt	160kg/3.1cwt	160kg/3.1cwt
0.0kg/0.0cwt	0.0kg/0.0cwt	0.0kg/0.0cwt	0.0kg/0.0cwt	0.0kg/0.0cwt
185 R14C 102Q	185 R14C 102Q	195/70 R15C 104R	185/70 R14 88T	185/70 R14 88T
4.3 bar / 62 psi	4.4 bar / 64 psi	4.4 bar / 64 psi	1.8 bar / 26 psi	2.0 bar / 29 psi
4.4 bar / 64 psi	4.4 bar / 64 psi	4.4 bar / 64 psi	2.5 bar / 36 psi	2.5 bar / 36 psi
100kg	100kg	100kg	100kg	100kg
THREE	THREE	THREE	THREE	THREE
<b>Bed Sizes</b>				
202cm x 156cm/6'8" x 5'1"	202cm x 156cm/6'8" x 5'1"	202cm x 176cm/6'8" x 5'9"	202cm x 156cm/6'8" x 5'1"	202cm x 156cm/6'8" x 5'1"
156cm x 72cm/5'1" x 2'4"	156cm x 72cm/5'1" x 2'4"	186cm x 72cm/6'1" x 2'4"	156cm x 72cm/5'1" x 2'4"	156cm x 72cm/5'1" x 2'4"
156cm x 72cm/5'1" x 2'4"	156cm x 72cm/5'1" x 2'4"	176cm x 72cm/5'9" x 2'4"	156cm x 72cm/5'1" x 2'4"	156cm x 72cm/5'1" x 2'4"
	185cm x 133cm/6'1" x 4'4"		185cm x 133cm/6'1" x 4'4"	185cm x 133cm/6'1" x 4'4"
192cm x 68cm/6'4" x 2'3"				
183cm x 73cm/6'0" x 2'5"		178cm x 62cm/5'10" x 2'0"		
		169cm x 59cm/5'7" x 1'11"		
		181cm x 57cm/5'11" x 1'10"		
		181cm x 57cm/5'11" x 1'10"		

**Bed Sizes :** Please note that the front double bed sizes quoted are for seating configurations without chest of drawers. The front double bed width for a layout with a chest of drawers fitted will be reduced by 0.4m(1'4") from that stated.

**Awning sizes:** Due to the varying awning designs and sizes the awning sizes given are approximate only. Specific awning sizes must be confirmed by your dealer or the awning manufacturer prior to purchase.

\*Estimated weight or bed size

\*\*The dimensions given are approximate due to slight variations in suspension ride heights, loading conditions and tyre pressures.

Customers should verify the actual dimensions of their touring caravan before committing to anything that could be impacted by these dimensions

**Please note:** Any dealer fit options will reduce the overall payload available to the user of the caravan.

If you require additional payload it is possible to upgrade the MTPLM to the upper limit. Please contact your caravan dealer for more information.

# Conqueror Specification

Conqueror	Conqueror 480	Conqueror 560	Conqueror 565	Conqueror 570
Elite	Elite 480	Elite 560	Elite 565	Elite 570
Berths	2	4	4	4
Axles	1	1	1	1
Internal Length (bed box height)	4.98m/16'4"	5.93m/19'5"	5.93m/19'5"	5.93m/19'5"
Overall Width**	2.26m/7'5"	2.26m/7'5"	2.26m/7'5"	2.26m/7'5"
Overall Height (inc. TV Aerial)**	2.61m/8'7"	2.61m/8'7"	2.61m/8'7"	2.61m/8'7"
Maximum Internal Headroom	1.95m/6'5"	1.95m/6'5"	1.95m/6'5"	1.95m/6'5"
Overall Length**	6.54m/21'5"	7.49m/24'7"	7.49m/24'7"	7.49m/24'7"
Awning A/A dimension	9.01m/29'7"	10.02m/32'10"	10.02m/32'10"	10.02m/32'10"
Mass in Running Order (inc. tolerance)	1323kg/26.0cwt	1510kg/29.7cwt	1500kg/29.5cwt	1480kg/29.1cwt
Maximum Technical Permissible Laden Mass (Lower limit)	1449kg/28.5cwt	1666kg/32.8cwt	1656kg/32.6cwt	1636kg/32.2cwt
Maximum Technical Permissible Laden Mass (Upper limit)	1550kg/30.5cwt	1700kg/33.5cwt	1700kg/33.5cwt	1700kg/33.5cwt
Total user Payload	126kg/2.5cwt	156kg/3.1cwt	156kg/3.1cwt	156kg/3.1cwt
Personal Effects	126kg/2.5cwt	156kg/3.1cwt	156kg/3.1cwt	156kg/3.1cwt
Options	0.0kg/0.0cwt	0.0kg/0.0cwt	0.0kg/0.0cwt	0.0kg/0.0cwt
Tyre Size	185 R14C 102 Q	195/70 R15C 104 R	195/70 R15C 104 R	195/70 R15C 104 R
Tyre pressure at Lower limit MTPLM	4.2 bar / 61 psi	4.5bar / 65 psi	4.5bar / 65 psi	4.5bar / 65 psi
Tyre pressure at Upper limit MTPLM	4.5 bar / 65 psi	4.5bar / 65 psi	4.5bar / 65 psi	4.5bar / 65 psi
Static Load on Coupling Head	100kg	100kg	100kg	100kg
Thermal Insulation Grade	THREE	THREE	THREE	THREE
<b>Bed Sizes</b>				
Front Double	198cm x 178cm/ 6'6" x 5'10"	198cm x 163cm/ 6'6" x 5'4"	198cm x 163cm/ 6'6" x 5'4"	198cm x 163cm/ 6'6" x 5'4"
or Front Nearside Single	188cm x 67cm/6'2" x 2'2"	153cm x 67cm/5'0" x 2'2"	163cm x 67cm/5'4" x 2'2"	163cm x 67cm/5'4" x 2'2"
and Front Offside Single	178cm x 67cm/ 5'10" x 2'4"	163cm x 67cm/5'4" x 2'2"	163cm x 67cm/5'4" x 2'2"	163cm x 67cm/5'4" x 2'2"
Rear Double		182cm x 133cm/ 6'0" x 4'4"		191cm x 129cm/ 6'3" x 4'3"
Side Single (offside)			172cm x 74cm/5'8" x 2'5"	
Side Single (nearside)			190cm x 75cm/6'3" x 2'6"	
Side Bunk (offside)				

**Masses:** The masses are calculated in accordance to EU regulation 1230/2012 and NCC code of practice 304.

The Mass in Running Order (MRO) comprises:

- The mass of the empty caravan as supplied by Swift including loose items such as the hook-up cable, kit bag, entrance step, manuals etc.
- 10kg allowance for LPG

The MRO is calculated with the fresh water tank, toilet flush tank and water heater empty. If you travel with water in the fresh water tank, toilet flush tank and the water heater the payload will reduce accordingly.

The personal effects is based on the number of berths and the length of the caravan and includes an allowance of 20kg for a leisure battery.

The Maximum Technical Laden Mass (MTPLM) is the maximum mass allowed when the caravan is fully laden.

**WARNING: Under no circumstances should the MTPLM be exceeded**

Conqueror 580	Conqueror 630	Conqueror 645	Conqueror 650
Elite 580	Elite 630	Elite 645	Elite 650
4	6	4	4
1	2	2	2
5.93m/19'5"	6.38m/20'11"	6.38m/20'11"	6.38m/20'11"
2.26m/7'5"	2.26m/7'5"	2.26m/7'5"	2.26m/7'5"
2.61m/8'7"	2.61m/8'7"	2.61m/8'7"	2.61m/8'7"
1.95m/6'5"	1.95m/6'5"	1.95m/6'5"	1.95m/6'5"
7.49m/24'7"	7.94m/26'1"	7.94m/26'1"	7.94m/26'1"
10.02m/32'10"	10.41m/34'2"	10.41m/34'2"	10.41m/34'2"
1485kg/29.2cwt	1611kg/31.7cwt	1601kg/31.5cwt	1636kg/32.2cwt
1641kg/32.3cwt	1791kg/35.3cwt	1761kg/34.7cwt	1796kg/35.4cwt
1700kg/33.5cwt	2000kg/39.4cwt	2000kg/39.4cwt	2000kg/39.4cwt
156kg/3.1cwt	180kg/3.5cwt	160kg/3.1cwt	160kg/3.1cwt
156kg/3.1cwt	180kg/3.5cwt	160kg/3.1cwt	160kg/3.1cwt
0kg/0cwt	0.0kg/0.0cwt	0.0kg/0.0cwt	0.0kg/0.0cwt
195/70 R15C 104 R	185/70 R14 88 T	185/70 R14 88 T	185/70 R14 88 T
4.5bar / 65 psi	2.2bar / 32 psi	2.1 bar / 30 psi	2.2 bar / 32 psi
4.5bar / 65 psi	2.5bar / 36 psi	2.5bar / 36 psi	2.5 bar /36 psi
100kg	100kg	100kg	100kg
THREE	THREE	THREE	THREE
198cm x 163cm/6'6" x 5'4"	205cm x 137cm/6'9" x 4'6"	198cm x 163cm/6'6" x 5'4"	198cm x 153cm/6'6" x 5'0"
163cm x 67cm/5'4" x 2'2"		163cm x 67cm/5'4" x 2'2"	153cm x 67cm/5'0" x 2'2"
163cm x 67cm/5'4" x 2'2"		163cm x 67cm/5'4" x 2'2"	188cm x 67cm/6'2" x 2'2"
182cm x 133cm/6'0" x 4'4"	192cm x 129cm/6'4" x 4'3"	182cm x 133cm/6'0" x 4'4"	182cm x 133cm/6'0" x 4'4"
	180cm x 69cm/5'11" x 2'3"		
	176cm x 59cm/5'9" x 1'11"		

**Bed Sizes :** Please note that the front double bed sizes quoted are for seating configurations without chest of drawers. The front double bed width for a layout with a chest of drawers fitted will be reduced by 0.4m(1'4") from that stated.

**Awning sizes:** Due to the varying awning designs and sizes the awning sizes given are approximate only. Specific awning sizes must be confirmed by your dealer or the awning manufacturer prior to purchase.

\*Estimated weight or bed size

\*\*The dimensions given are approximate due to slight variations in suspension ride heights, loading conditions and tyre pressures.

Customers should verify the actual dimensions of their touring caravan before committing to anything that could be impacted by these dimensions

**Please note:** Any dealer fit options will reduce the overall payload available to the user of the caravan.

If you require additional payload it is possible to upgrade the MTPLM to the upper limit. Please contact your caravan dealer for more information.

# Elegance Specification

Elegance	Elegance 480	Elegance 530	Elegance 565
Continental	Continental 480	Continental 530	Continental 565
Berths	2	4	4
Axles	1	1	1
Internal Length (bed box height)	4.98m/16'4"	5.45m/17'11"	5.93m/19'5"
Overall Width*	2.26m/7'5"	2.26m/7'5"	2.26m/7'5"
Overall Height (inc. TV Aerial)*	2.61m/8'7"	2.61m/8'7"	2.61m/8'7"
Maximum Internal Headroom	1.95m/6'5"	1.95m/6'5"	1.95m/6'5"
Overall Length*	6.54m/21'5"	7.01m/23'0"	7.49m/24'7"
Awning A/A dimension	9.01m/29'7"	9.54m/31'4"	10.02m/32'10"
Mass in Running Order (inc. tolerance)	1396kg/27.5cwt *	1510kg/29.7cwt	1570kg/30.9cwt *
Maximum Technical Permissible Laden Mass (Lower limit)	1522kg/30.0cwt *	1661kg/32.7cwt	1726kg/34.0cwt *
Maximum Technical Permissible Laden Mass (Upper limit)	1650kg/32.5cwt *	1750kg/34.4cwt	1750kg/34.4cwt *
Total user Payload	126kg/2.5cwt	151kg/3.0cwt	156kg/3.1cwt
Personal Effects	126kg/2.5cwt	151kg/3.0cwt	156kg/3.1cwt
Options	0.0kg/0.0cwt	0.0kg/0.0cwt	0.0kg/0.0cwt
Tyre Size	195/70 R15C 104 R	195/70 R15C 104 R	195/70 R15C 104 R
Tyre pressure at Lower limit MTPLM	4.2 bar / 61 psi	4.5 bar / 65 psi	4.5 bar / 65 psi
Tyre pressure at Upper limit MTPLM	4.5 bar / 65 psi	4.5 bar / 65 psi	4.5 bar / 65 psi
Static Load on Coupling Head	100kg	100kg	100kg
Thermal Insulation Grade	THREE	THREE	THREE
<b>Bed Sizes</b>			
Front Double	198cm x 178cm/6'6" x 5'10"	198cm x 178cm/6'6" x 5'10"	198cm x 163cm/6'6" x 5'4"
or Front Nearside Single	188cm x 67cm/6'2" x 2'2"	178cm x 67cm/5'10" x 2'2"	163cm x 67cm/5'4" x 2'2"
and Front Offside Single	178cm x 67cm/5'10" x 2'4"	188cm x 67cm/6'2" x 2'2"	163cm x 67cm/5'4" x 2'2"
Rear Double			
Rear Bunk			
Side Single (offside)		180cm x 69cm/5'11" x 2'3"	172cm x 74cm/5'8" x 2'5"
Side Single (nearside)			184cm x 75cm/6'0" x 2'6"
Side Bunk (offside)		176cm x 59cm/5'9" x 1'11"	

**Masses:** The masses are calculated in accordance to EU regulation 1230/2012 and NCC code of practice 304.

The Mass in Running Order (MRO) comprises:

- The mass of the empty caravan as supplied by Swift including loose items such as the hook-up cable, kit bag, entrance step, manuals etc.
- 10kg allowance for LPG

The MRO is calculated with the fresh water tank, toilet flush tank and water heater empty. If you travel with water in the fresh water tank, toilet flush tank and the water heater the payload will reduce accordingly.

The personal effects is based on the number of berths and the length of the caravan and includes an allowance of 20kg for a leisure battery.

The Maximum Technical Laden Mass (MTPLM) is the maximum mass allowed when the caravan is fully laden.

**WARNING: Under no circumstances should the MTPLM be exceeded**

Elegance 570	Elegance 580	Elegance 645	Elegance 650
Continental 570	Continental 580	Continental 645	Continental 650
4	4	4	4
1	1	2	2
5.93m/19'5"	5.93m/19'5"	6.38m/20'11"	6.38m/20'11"
2.26m/7'5"	2.26m/7'5"	2.26m/7'5"	2.26m/7'5"
2.61m/8'7"	2.61m/8'7"	2.61m/8'7"	2.61m/8'7"
1.95m/6'5"	1.95m/6'5"	1.95m/6'5"	1.95m/6'5"
7.49m/24'7"	7.49m/24'7"	7.94m/26'1"	7.94m/26'1"
10.02m/32'10"	10.02m/32'10"	10.41m/34'2"	10.41m/34'2"
1555kg/30.6cwt	1550kg/30.5cwt	1700kg/33.5cwt	1722kg/33.9cwt *
1711kg/33.7cwt	1706kg/33.6cwt	1900kg/37.4cwt	1900kg/37.4cwt *
1750kg/34.4cwt	1750kg/34.4cwt	2000kg/39.4cwt	2000kg/39.4cwt *
156kg/3.1cwt	156kg/3.1cwt	200kg/3.9cwt	178kg/3.5cwt
156kg/3.1cwt	156kg/3.1cwt	160kg/3.1cwt	160kg/3.1cwt
0.0kg/0.0cwt	0.0kg/0.0cwt	0.0kg/0.0cwt	0.0kg/0.0cwt
195/70 R15C 104 R	195/70 R15C 104 R	185/60 R15 88 H	185/60 R15 88 H
4.5 bar / 65 psi	4.5 bar / 65 psi	2.7 bar / 39 psi	2.7 bar / 39 psi
4.5 bar / 65 psi	4.5 bar / 65 psi	2.9 bar / 42 psi	2.9 bar / 42 psi
100kg	100kg	100kg	100kg
THREE	THREE	THREE	THREE
198cm x 163cm/6'6" x 5'4"	198cm x 163cm/6'6" x 5'4"	198cm x 163cm/6'6" x 5'4"	198cm x 153cm/6'6" x 5'0"
163cm x 67cm/5'4" x 2'2"	163cm x 67cm/5'4" x 2'2"	163cm x 67cm/5'4" x 2'2"	153cm x 67cm/5'0" x 2'2"
163cm x 67cm/5'4" x 2'2"	163cm x 67cm/5'4" x 2'2"	163cm x 67cm/5'4" x 2'2"	188cm x 67cm/6'2" x 2'2"
191cm x 129cm/6'3" x 4'3"	182cm x 133cm/6'0" x 4'4"	182cm x 133cm/6'0" x 4'4"	182cm x 133cm/6'0" x 4'4"

**Bed Sizes :** Please note that the front double bed sizes quoted are for seating configurations without chest of drawers. The front double bed width for a layout with a chest of drawers fitted will be reduced by 0.4m(1'4") from that stated.

**Awning sizes:** Due to the varying awning designs and sizes the awning sizes given are approximate only. Specific awning sizes must be confirmed by your dealer or the awning manufacturer prior to purchase.

\*Estimated weight or bed size

\*\*The dimensions given are approximate due to slight variations in suspension ride heights, loading conditions and tyre pressures.

Customers should verify the actual dimensions of their touring caravan before committing to anything that could be impacted by these dimensions

**Please note:** Any dealer fit options will reduce the overall payload available to the user of the caravan.

If you require additional payload it is possible to upgrade the MTPLM to the upper limit. Please contact your caravan dealer for more information.

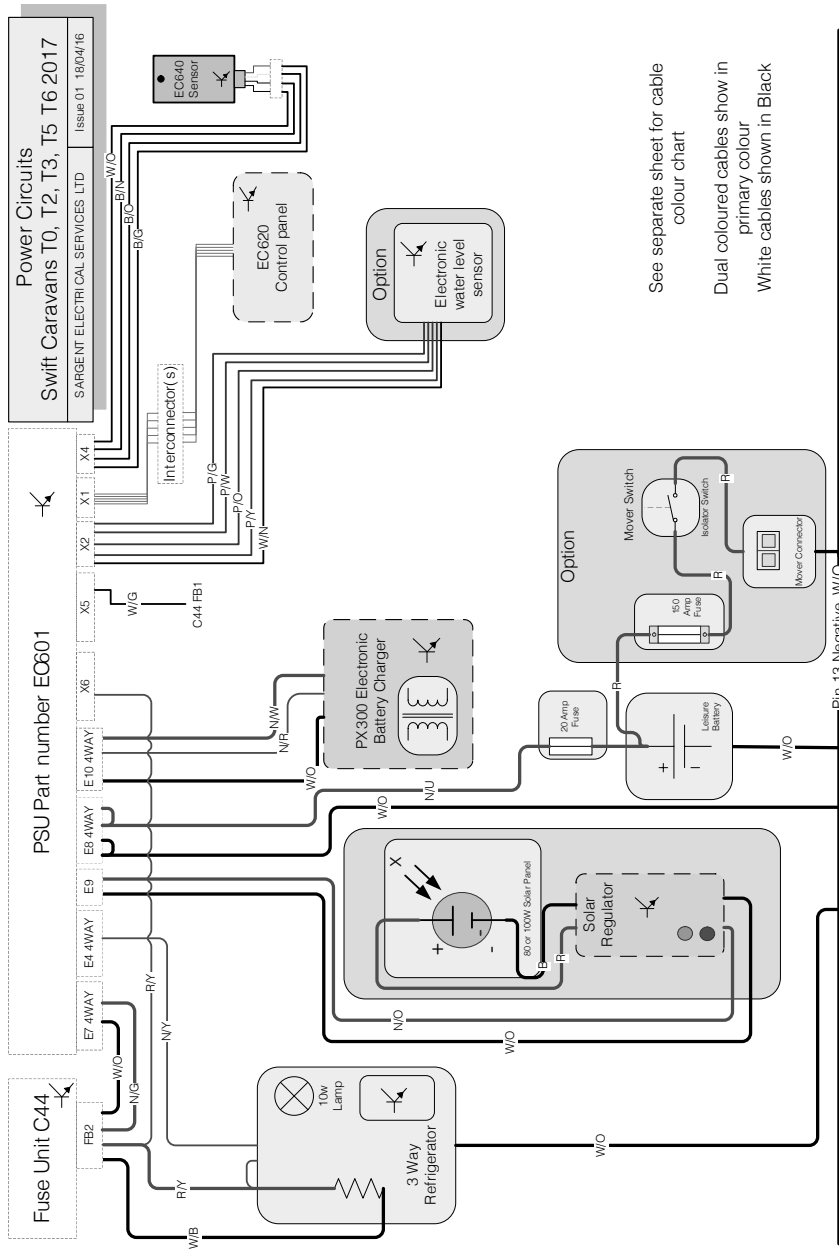






# Wiring Diagrams - Power Circuits

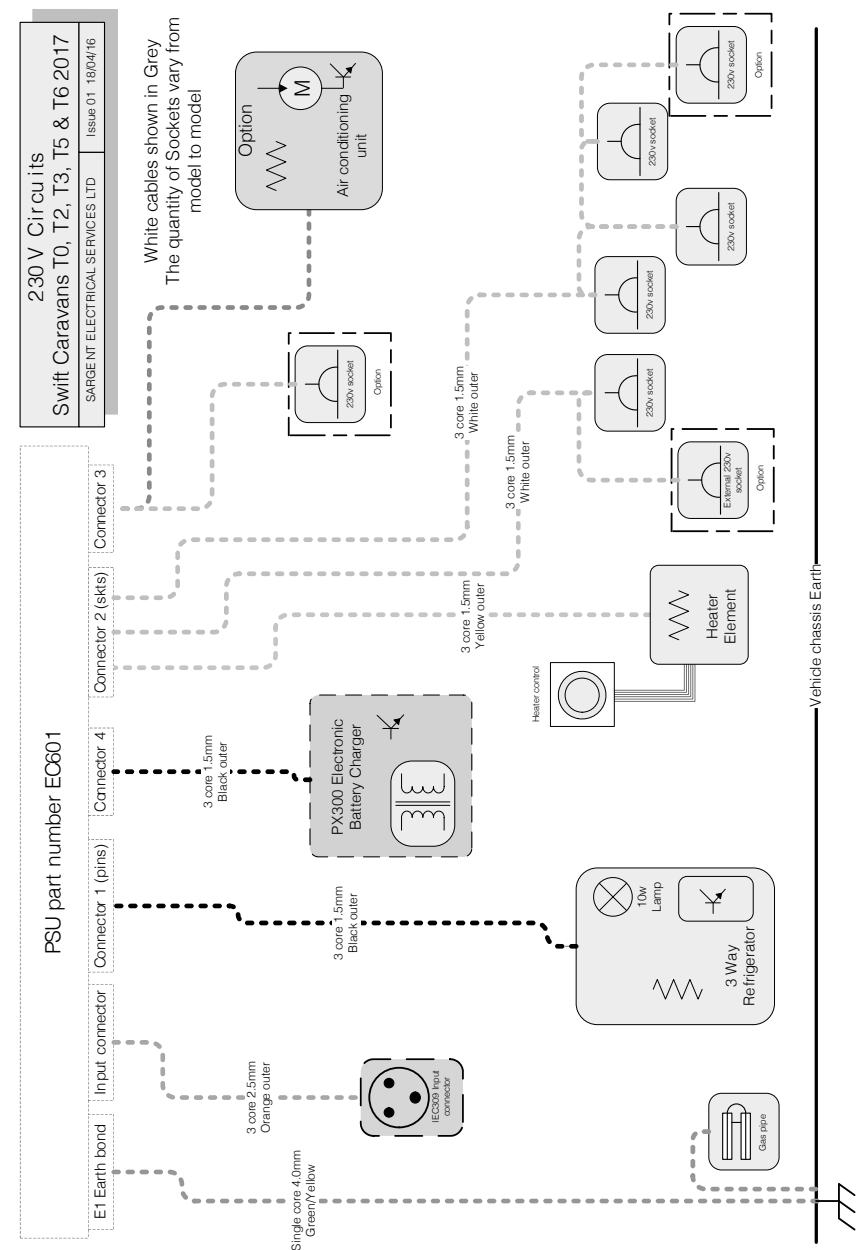
Power Circuits - Sprite Freedom, Sprite, Challenger, Eccles, Conqueror, Elite, Elegance & Continental



Copyright Sargent Electrical Services Ltd. 2016. All rights reserved. Subject to change without prior notice.

# Wiring Diagrams - 230V Circuits

230V Circuits - Sprite Freedom, Sprite, Challenger, Eccles, Conqueror, Elite, Elegance & Continental



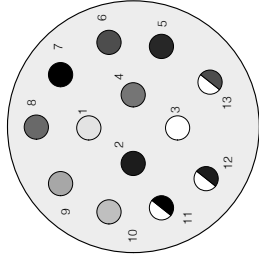
Copyright Sargent Electrical Services Ltd. 2016. All rights reserved. Subject to change without prior notice.

# Wiring Diagrams - 13 Pin Socket

## 13 pin socket

ISO 11 446 Circuits  
Swift Group Caravans (where applicable)

SARGENT ELECTRICAL SERVICES LTD  
Issue 01 06/07/10



11446 Plug Connector viewed from cable entry on plug



It is possible to get adaptors that convert two sockets on the towbar to a single 13 pin ISO socket, and vice versa.

Connection lead from 12N 7 pin socket plus 12S 7 pin socket to 13pin Euro Socket. (Converts a vehicle with two 7 pin sockets to a caravan with a 13 pin plug)

Please be aware that some car and adaptor manufacturers don't provide the fridge power connections

Pin No	Core Colour	Core Size	Function
1	Yellow	1.5	Left Hand Indicator Light
2	Blue	1.5	Rear Fog Warning Light(s)
3	White	2.5	Earth for pins 1 - 8
4	Green	1.5	Right Hand Indicator Light
5	Brown	1.5	Right Hand Tail Light
6	Red	1.5	Brake Lights
7	Black	1.5	Left Hand Tail Light
8	Pink	1.5	Reverse Light(s)
9	Orange	2.5	Car +ve
10	Slate (Grey)	2.5	Fridge +ve
11	White/Black	2.5	Earth for pin 10
12	White/Blue	1.5	Not Yet Allocated
13	White/Red	2.5	Earth for pin 9

Copyright Sargent Electrical Services Ltd. 2016 all rights reserved. Subject to change without prior notice.



Example

**Y/U** Yellow cable with Blue stripe

Cable Colour Chart  
Swift range 2016

SARGENT ELECTRICAL SERVICES LTD  
Issue 29/04/16

# Wiring Diagrams - Cable Colour Chart

## Cable colour chart

### 12v Cable Colours

B	BLACK
N	BROWN
R	RED
O	ORANGE
Y	YELLOW
G	GREEN
U	BLUE
P	PURPLE
S	SLATE GREY
W	WHITE
K	PINK

### 230v Cable Colours

B	BLACK
N	BROWN
W	WHITE
O	ORANGE
Y	YELLOW
G	GREEN
U	BLUE

Copyright Sargent Electrical Services Ltd. 2016 all rights reserved. Subject to change without prior notice.

# Bulb Replacement

## Road Lights

Application	Type or Wattage	Bulb Reference or lamp reference	Sprite Freedom	Sprite	Challenger / Eccles	Conqueror / Elite	Continental / Elegance	Bessacarr
Front marker lamp - Britax	LED	L99.00.L12V			X	X	X	X
Front marker lamp - Hella	5W	W5W	X	X				
Side marker lamp - Britax	LED	L99.01.12V	X	X	X	X	X	X
Rear end outline lamp (Red/White) - Britax	LED	L103.00.L12V	X	X	X	X	X	X
High level stop lamp - Britax	LED	L102.00.L12V	X	X	X	X	X	X
Number plate lamp - Britax	LED	L104.00.L12V	X	X	X	X	X	X
Rear lamp multi function cluster - Britax	LED	L79.00.12v (LH) & L79.01.12v (RH)			X	X	X	X
Stop and Tail lamp - Hella	12W / 5W	P21/5W	X	X				
Indicator lamp - Hella	21W	P21	X	X				
Rear fog lamp - Hella	21W	P21	X	X				
Reverse lamp - Hella	21W	P21	X	X				

Note: Not all lights and bulbs feature on all models within a range

# Bulb Replacement

## Interior/Other

Application	Type or Wattage	Bulb or lamp Reference	Sprite Freedom	Sprite	Challenger / Eccles	Conqueror / Elite	Continental / Elegance	Bessacarr
Locker spotlight	LED	FEM1555	X	X	X			
Locker spotlight with dimming control	LED	FEM1561			X	X	X	X
Downlights, Chrome surround	LED	FEM1567	X	X	X	X	X	X
Downlights, 3-stud offset lens	LED	FEM1556	X	X	X	X	X	X
China locker base lamp, switched, recessed	LED	FEM1374	X	X	X	X	X	X
Over locker / high level strip lamps	LED	FEM1214 (Cut to length strip)	X	X	X	X	X	X
Illuminated panel backlighting	LED	FEM1214 (Cut to length strip)	X	X	X	X	X	X
Strip light over top chest	LED	FEM1214 (Cut to length strip)				X	X	X
Strip light over top chest	LED	FEM1572	X	X	X			
Walkway low level lamps	LED	FEM0983				X	X	X
Wardrobe lamp	5W	G4 Halogen capsule bulb				X	X	X
Ceiling light, 150mm diameter, White, switched	LED	Saturn 2	X	X	X			
Locker base strip lamp, switched, recessed	LED	FEM1374	X					
Locker base strip lamp, switched, surface mount	LED	FEM1373	X					
Bunk light with touch control	LED	SMD	X	X	X			
Storage area lamp, switched, surface mount	LED	FEM1373						X
A-pillar rod lights	LED	12v LED					X	X
A-frame lamp (gas locker illumination, Cameo only)	5W	G5W					X	X
Feature lighting (i.e. cockpit cabinet light)	LED	FEM1214 (Cut to length strip)					X	X
Awning lamp	LED	L101-00-L12V	X	X	X	X	X	X

Note: Not all lights feature on all models within a range

## Bulb Replacement

### 2017 Sprite and Sprite Freedom Road Light Bulb Access

#### STOP / TAIL / INDICATOR AND REVERSE LAMPS

- Bulb access is from front / via lense of each lamp
- Remove 2x screws from each light lense and withdraw lense
- Bulbs are a bayonet fitting – apply slight pressure on bulb towards light fitting, and twist to release
- Reverse procedure to re-fit bulb and lense.
- Take care when replacing stop/tail lamp bulb, that orientation of bulb is correct – to check, brake light operation should be brighter than tail lamp operation.

#### REAR CENTRAL FOG LIGHT

- Bulb access is from front / via lense of lamp
- Remove 2x screws from light lense and withdraw lense
- Bulb is a bayonet fitting – apply slight pressure on bulb towards light fitting, and twist to release
- Reverse procedure to re-fit bulb and lense.

#### UPPER REAR SIDE POSITION LAMPS (RED / CLEAR LENSE)

- These lamps are LED and have no user serviceable parts inside.
- Replacements should be undertaken by your dealer, as the lamps are sealed onto the mounting panel.

#### NUMBER PLATE LAMPS

- These lamps are single piece and have no user serviceable parts inside.
- Replacements should be undertaken by your dealer, as the lamps are sealed onto the mounting panel.

#### FRONT MARKER POSITION LAMPS

- Bulb access is from rear of lamp
- Remove 2x screws from light fitting, and withdraw whole fitting from caravan front panel
- Harness plugs into bulb holder – Twist bulb holder relative to lamp body to release bulb holder from lamp body
- Bulbs are push fit into bulb holder – pull bulb directly away from holder to release
- Reverse procedure to replace bulb in holder, holder in lamp and lamp onto caravan body

#### SIDE MARKER POSITION LAMPS (BRITAX, RECTANGULAR)

- These lamps are LED and have no user serviceable parts inside.
- Replacements should be undertaken by your dealer, as the lamps are sealed onto the mounting panel.

#### HIGH LEVEL BRAKE LAMP (WHEN FITTED)

- This lamp is single piece and has no user serviceable parts inside.
- Replacement should be undertaken by your dealer, as the lamp is sealed onto the mounting panel.

### 2017 CHALLENGER / ECCLES / CONQUEROR / ELITE / CONTINENTAL / ELEGANCE / CAMEO ROAD LIGHT BULB ACCESS

#### REAR LIGHT CLUSTERS (CONTAINING INDICATOR, TAIL / STOP, REVERSE AND FOG LAMPS):

- These multi-function lights are LED and have no user serviceable parts inside.
- Replacement clusters can be fitted in the following way:
- Remove three screws visible around the perimeter of the cluster
- Pull the cluster away from the rear panel of the tourer, taking care to not put excessive strain on the electrical connections behind the lamp
- Unplug the electrical connection from the rear of the lamp, by releasing the tab and lifting the connector upwards relative to the cluster
- Plug the connector back into the replacement lamp, position the lamp into the recess and replace the three fixing screws.

#### FRONT LOW LEVEL MARKER / POSITION LAMPS (CLEAR LENSE)

- These lamps are LED and have no user serviceable parts inside.
- Replacements should be undertaken by your dealer, as the lamps are sealed onto the mounting panel.

#### HIGH LEVEL BRAKE LAMP

- This lamp is single piece and has no user serviceable parts inside.
- Replacements should be undertaken by your dealer, as the lamps are sealed onto the mounting panel.

## Bulb Replacement

#### NUMBER PLATE LAMPS

- These lamps are single piece and have no user serviceable parts inside.
- Replacements should be undertaken by your dealer, as the lamps are sealed onto the mounting panel.

#### SIDE MARKER / POSITION LAMPS (AMBER LENSE)

- These lamps are LED and have no user serviceable parts inside.
- Replacements should be undertaken by your dealer, as the lamps are sealed onto the mounting panel.

#### UPPER SIDE MARKER / POSITION LAMPS (RED AND WHITE LENSE)

- These lamps are LED and have no user serviceable parts inside.
- Replacement should be undertaken by your dealer, as the lamp is sealed onto the mounting panel.