



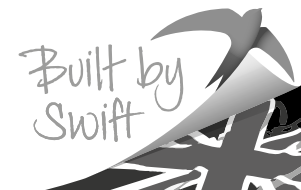
Swift Group
Dunswell Road
Cottingham
East Yorkshire HU16 4JX
Tel **01482 847332**
Fax **01482 841042**
email enquiry@swiftgroup.co.uk

For more information visit
www.swiftgroup.co.uk

Issued July 2014



Autocruise Van Conversion Technical Handbook



Specifications 2

Capacities 6

Towing Capabilities 7

Jacking 8

Wiring Diagrams 9

Bulb Chart 14

Bulb Replacement..... 15

Peugeot Specifications

Model	Rhythm	Rhythm Compact	
Roof Profile	Panel Van	Panel Van	
Engine Power	130 HDI	110 HDI	130 HDI
Engine Capacity	2.2L	2.2L	
Chassis	Boxer 335	Boxer 333	
Wheel base	4.04m/13'3"	3.45m/11'4"	
Designated Passenger Seats excluding Driver	1	1	
Berths (sleeping positions)	2	2	
Overall Length (no ladder)	6.00m/19'8"	5.41m/17'9"	
Overall Width	2.05m/6'9"	2.05m/6'9"	
Overall Width (mirrors folded)	2.26m/7'5"	2.26m/7'5"	
Overall Width (mirrors extended)	2.51m/8'3"	2.51m/8'3"	
Overall Height	2.72m/8'11"	2.72m/8'11"	
Maximum Technical Permissible Laden Mass (A)	3500kg	3300kg	
Mass in Running Order (B)	2945kg	2795kg	2810kg
Maximum User Payload (A-B)	555kg	505kg	490kg
Unladen Weight	2770kg	2620kg	2635kg
Essential Habitation Equipment	9kg	9kg	
Thermal Insulation Grade	Three	Three	
Bed Sizes			
Front Double			
Front Nearside Single			
Front Offside Single			
Rear Double	1.86m x 1.88m / 6'1" x 6'2"	1.86m x 1.28m / 6'1" x 4'2"	
Rear Nearside Single	1.88m x 0.65m / 6'2" x 2'2"		
Rear Offside Single	1.88m x 0.65m / 6'2" x 2'2"		
Rear Bunk (Upper)			
Rear Bunk (Lower)			
Overcab Bed			

Alto	Accent	Forte	Carrera 4
Panel Van	Panel Van	Panel Van	Panel Van
130 HDI	130 HDI	130 HDI	130 HDI
2.2L	2.2L	2.2L	2.2L
Boxer 435	Boxer 335	Boxer 435	Boxer 335
4.04m/13'3"	4.04m/13'3"	4.04m/13'3"	4.04m/13'3"
3	3	3	3
3	3	4	4
6.36m/20'11"	6.00m/19'8"	6.36m/20'11"	6.00m/19'8"
2.05m/6'9"	2.05m/6'9"	2.05m/6'9"	2.05m/6'9"
2.26m/7'5"	2.26m/7'5"	2.26m/7'5"	2.26m/7'5"
2.51m/8'3"	2.51m/8'3"	2.51m/8'3"	2.51m/8'3"
2.72m/8'11"	2.72m/8'11"	2.72m/8'11"	2.72m/8'11"
3500kg	3500kg	3500kg	3500kg
3110kg	3045kg	3110kg	3030kg
390kg	455kg	390kg	470kg
2939kg	2870kg	2939kg	2855kg
9kg	9kg	9kg	9kg
Three	Three	Three	Three
		1.80m x 1.22m / 5'11" x 4'0"	
1.70m x 0.90m/0.54m / 5'7" x 2'11"/1'9"	1.70m x 0.90m/0.54m / 5'7" x 2'11"/1'9"	1.70m x 0.90m/0.54m / 5'7" x 2'11" / 1'9"	
1.85m x 1.30m / 6'1" x 4'3"	1.83m x 1.35m / 6'0" x 4'5"	1.86m x 1.20m / 6'1" x 3'11"	1.82m x 1.35m / 6'0" x 4'5"

NOTE: 1. The **Maximum User Payload** includes:

- a) the **conventional load** (this is the allowance for passengers)
- b) **essential habitation equipment** (items and fluids required for safe and proper functioning of habitation equipment)
- c) **optional equipment** (items available from the manufacturer over and above the standard specification)
- d) **personal effects** (those items not covered by the above)

2. The **Mass in Running Order** is the mass of the unladen vehicle including a 75kg allowance for the driver plus engine coolants and 90% of the fuel tank and 100% gas capacity. The MRO is calculated with the fresh water tank empty. If you travel with water in the fresh water tank then the payload will reduce accordingly.

3. PLEASE TAKE CARE TO ENSURE THAT YOU HAVE ALLOWED FOR THE MASSES OF ALL ITEMS YOU INTEND TO CARRY IN THE MOTOR CARAVAN, e.g. passengers, optional equipment, essential

habitation equipment and personal effects, such as clothing, food, pets, bicycles, sailboards, sports equipment etc.

4. **WARNING** - UNDER NO CIRCUMSTANCES SHOULD THE MAXIMUM TECHNICAL PERMISSIBLE LADEN MASS OF THIS MOTOR CARAVAN BE EXCEEDED.

* Estimated

Fiat Specifications

Model	Rhythm		Rhythm Compact	
Roof Profile	Panel Van		Panel Van	
Engine Power	130 MJT	130 MJT Auto	130 MJT	130 MJT Auto
Engine Capacity	2.3L		2.3L	
Chassis	Ducato 35L		Ducato 33Q	
Wheel base	4.04m/13'3"		3.45m/11'4"	
Designated Passenger Seats excluding Driver	1		1	
Berths (sleeping positions)	2		2	
Overall Length (no ladder)	6.00m/19'8"		5.41m/17'9"	
Overall Width	2.05m/6'9"		2.05m/6'9"	
Overall Width (mirrors folded)	2.26m/7'5"		2.26m/7'5"	
Overall Width (mirrors extended)	2.51m/8'3"		2.51m/8'3"	
Overall Height	2.72m/8'11"		2.72m/8'11"	
Maximum Technical Permissible Laden Mass (A)	3500kg		3300kg	
Mass in Running Order (B)	2945kg	2962kg	2810kg	2827kg
Maximum User Payload (A-B)	555kg	538kg	490kg	413kg
Unladen Weight	2770kg	2787kg	2635kg	2652kg
Essential Habitation Equipment	9kg		9kg	
Thermal Insulation Grade	Three		Three	
Bed Sizes				
Front Double				
Front Nearside Single				
Front Offside Single				
Rear Double	1.86m x 1.88m / 6'1" x 6'2"		1.86m x 1.28m / 6'1" x 4'2"	
Rear Nearside Single	1.88m x 0.65m / 6'2" x 2'2"			
Rear Offside Single	1.88m x 0.65m / 6'2" x 2'2"			
Rear Bunk (Upper)				
Rear Bunk (Lower)				
Overcab Bed				

Alto		Accent		Forte		Carrera 4	
Panel Van		Panel Van		Panel Van		Panel Van	
130 MJT	130 MJT Auto	130 MJT	130 MJT Auto	130 MJT	130 MJT Auto	130 MJT	130 MJT Auto
2.3L		2.3L		2.3L		2.3L	
Ducato 35L		Ducato 35L		Ducato 35L		Ducato 35L	
4.04m/13'3"		4.04m/13'3"		4.04m/13'3"		4.04m/13'3"	
3		3		3		3	
3		3		4		2	
6.36m/20'11"		6.00m/19'8"		6.36m/20'11"		6.00/19'8"	
2.05m/6'9"		2.05m/6'9"		2.05m/6'9"		2.05m/6'9"	
2.26m/7'5"		2.26m/7'5"		2.26m/7'5"		2.26m/7'5"	
2.51m/8'3"		2.51m/8'3"		2.51m/8'3"		2.51m/8'3"	
2.72m/8'11"		2.72m/8'11"		2.72m/8'11"		2.72/8'11"	
3500kg		3500kg		3500kg		3500kg	
3070kg	3087kg	3045kg	3062kg	3070kg	3087kg	3030kg	3047kg
430kg	413kg	455kg	438kg	430kg	413kg	470kg	453kg
2899kg	2916kg	2870kg	2887kg	2899kg	2916kg	2855kg	2872kg
9kg		9kg		9kg		9kg	
Three		Three		Three		Three	
				1.80m x 1.22m / 5'11" x 4'0"			
1.70m x 0.90m/0.54m / 5'7" x 2'11"/1'9"		1.70m x 0.90m/0.54m / 5'7" x 2'11"/1'9"		1.70m x 0.90m/0.54m / 5'7" x 2'11" / 1'9"			
1.85m x 1.30m / 6'1" x 4'3"		1.83m x 1.35m / 6'0" x 4'5"		1.86m x 1.20m / 6'1" x 3'11"		1.82m x 1.35m / 6'0" x 4'5"	

NOTE: 1. The **Maximum User Payload** includes:

- a) the **conventional load** (this is the allowance for passengers)
- b) **essential habitation equipment** (items and fluids required for safe and proper functioning of habitation equipment)
- c) **optional equipment** (items available from the manufacturer over and above the standard specification)
- d) **personal effects** (those items not covered by the above)

2. The **Mass in Running Order** is the mass of the unladen vehicle including a 75kg allowance for the driver plus engine coolants and 90% of the fuel tank, water tank and 100% gas capacity. The MRO is calculated with the fresh water tank empty. If you travel with water in the fresh water tank then the payload will reduce accordingly.

3. PLEASE TAKE CARE TO ENSURE THAT YOU HAVE ALLOWED FOR THE MASSES OF ALL ITEMS YOU INTEND TO CARRY IN THE MOTOR CARAVAN, e.g. passengers, optional equipment, essential

habitation equipment and personal effects, such as clothing, food, pets, bicycles, sailboards, sports equipment etc.

4. **WARNING** - UNDER NO CIRCUMSTANCES SHOULD THE MAXIMUM TECHNICAL PERMISSIBLE LADEN MASS OF THIS MOTOR CARAVAN BE EXCEEDED.

* Estimated

Capacities

Water Tank Capacities

	Fresh Water Tank	Waste Water Tank	Water Heater
Rhythm Compact, Alto, Carrera & Forte	66 litre	41 litre	10 litre
Rhythm & Accent	100 litre	58 litre	10 litre

Gas Capacities

	Capacity
Forte	1 x 4.5kg plus 1 x 7kg
The rest	2 x 7kg

The above are recommended gas bottle sizes

NOTICE : For technical data on the base vehicle please refer to manufacturer's handbook

Towing Capabilities

Van Conversion Towing Capabilities

Model	Engine / Chassis	MTPLM	Permissible Front Axle Load	Permissible Rear Axle Load	Recommended Maximum Trailer Weight	Gross Train Weight
Rhythm	130 HDI (2.2L) / MJT (2.3L)	3500kg	1850kg	2000kg	2500kg	6000kg
Rhythm	130 MJT (2.3L) AUTO	3500kg	1850kg	2000kg	2500kg	6000kg
Rhythm Compact	110 HDI (2.2L)	3300kg	1750kg	1900kg	2500kg	5800kg
Rhythm Compact	130 HDI (2.2L) / MJT (2.3L)	3300kg	1750kg	1900kg	2500kg	5800kg
Rhythm Compact	130 MJT (2.3L) AUTO	3300kg	1750kg	1900kg	2500kg	5800kg
Alto	130 HDI (2.2L)**	3500kg	2100kg	2400kg	2500kg*	6000kg
Alto	130 MJT (2.3L)***	3500kg	1850kg	2000kg	2500kg*	6000kg
Alto	130 MJT (2.3L) AUTO	3500kg	1850kg	2000kg	2500kg*	6000kg
Accent	130 HDI (2.2L) / MJT (2.3L)	3500kg	1850kg	2000kg	2500kg*	6000kg
Accent	130 MJT (2.3L) AUTO	3500kg	1850kg	2000kg	2500kg*	6000kg
Forte	130 HDI (2.2L)**	3500kg	2100kg	2400kg	2500kg*	6000kg
Forte	130 MJT (2.3L)***	3500kg	1850kg	2000kg	2500kg*	6000kg
Forte	130 MJT (2.3L) AUTO	3500kg	1850kg	2000kg	2500kg*	6000kg
Carrera 4	130 HDI (2.2L) / MJT (2.3L)	3500kg	1850kg	1850kg	2500kg*	6000kg
Carrera 4	130 MJT (2.3L) AUTO	3500kg	1850kg	1850kg	2500kg*	6000kg

Please note that the additional weight of the tow bar and trailer nose weight increases the rear axle loading of the motor home so care should be taken that the rear axle load is not exceeded when towing.

* With this vehicle configuration it will be necessary to reduce the payload carried inside the van when towing to ensure that the MTPLM and maximum axle loads are not exceeded.

** Peugeot 435 Heavy chassis

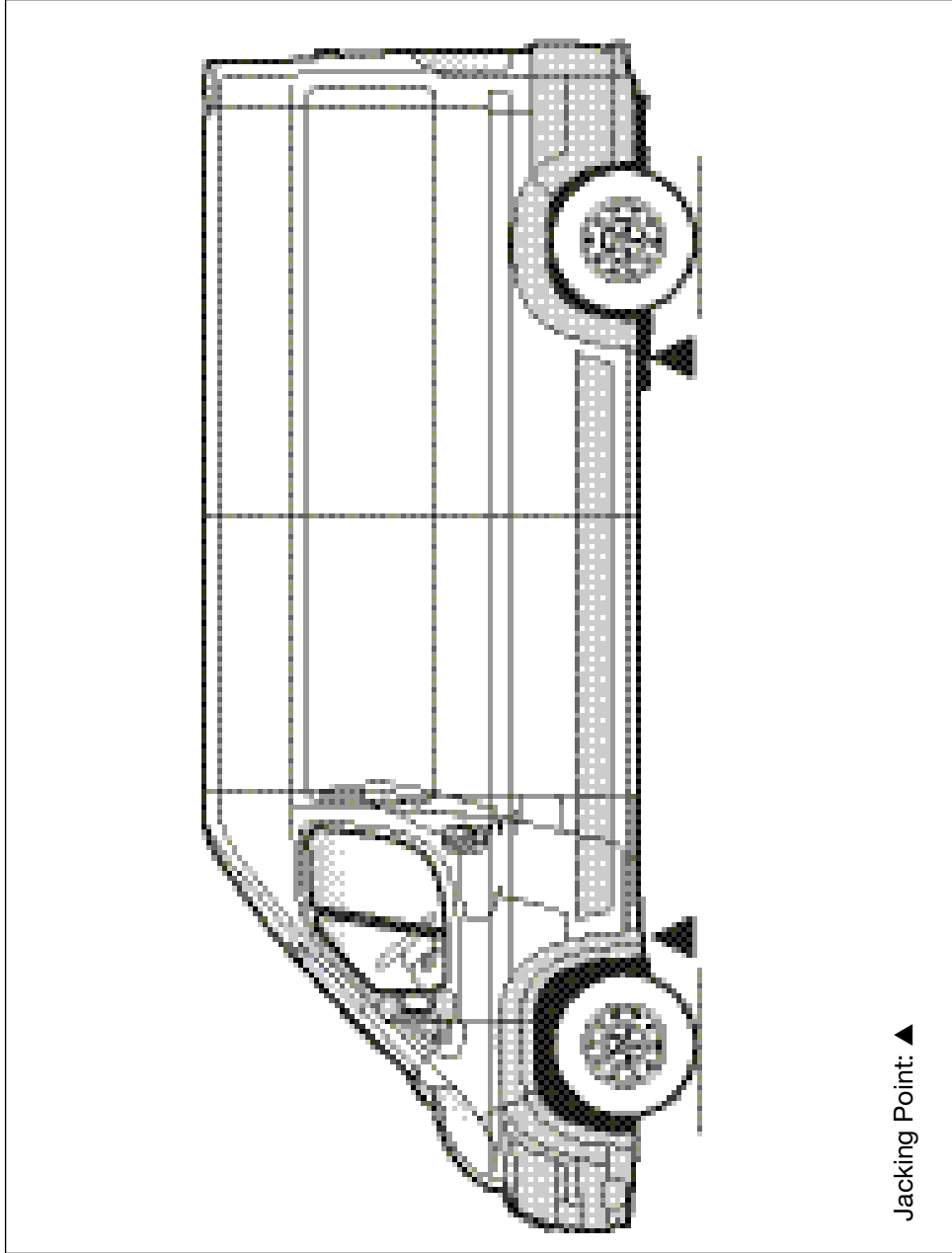
*** Fiat 35QL Light chassis

To ensure adequate road holding, the load on the front axle, under all conditions, must not be less than 40% or more than 70% of the total weight.

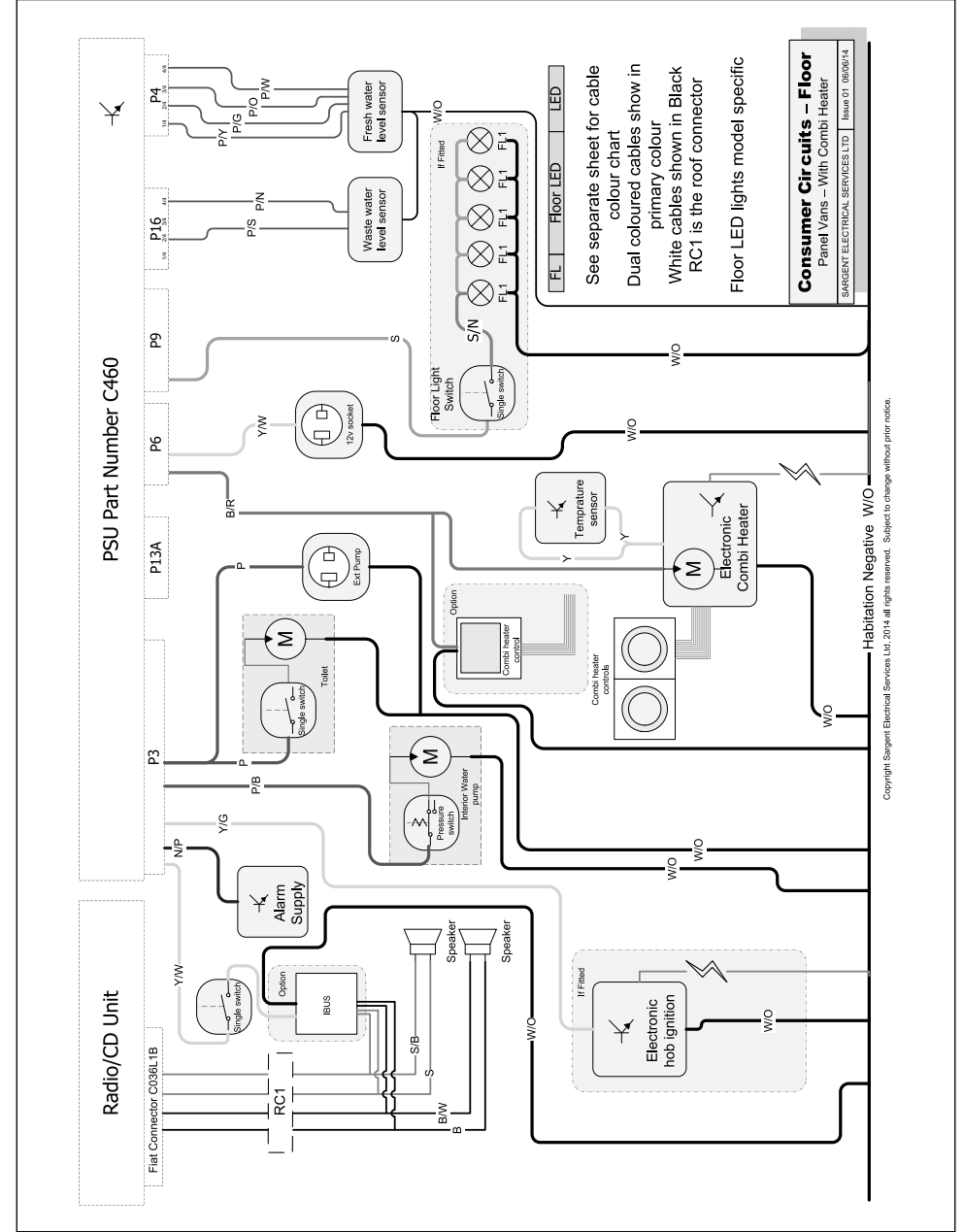
Care must be taken when distributing loads. The loadings and weights above are maximums and must not be exceeded under any circumstances.

CAUTION: When fitting a towbar, it must meet certain minimum requirements as specified by Type Approval Regulations. The bar will have marked on it the approval standard (94/20/EC or 55R ECE) and the maximum download, or noseweight, that it can accept. It must fit the manufacturer's approved mounting points and must not obscure the towing vehicle's number plate.

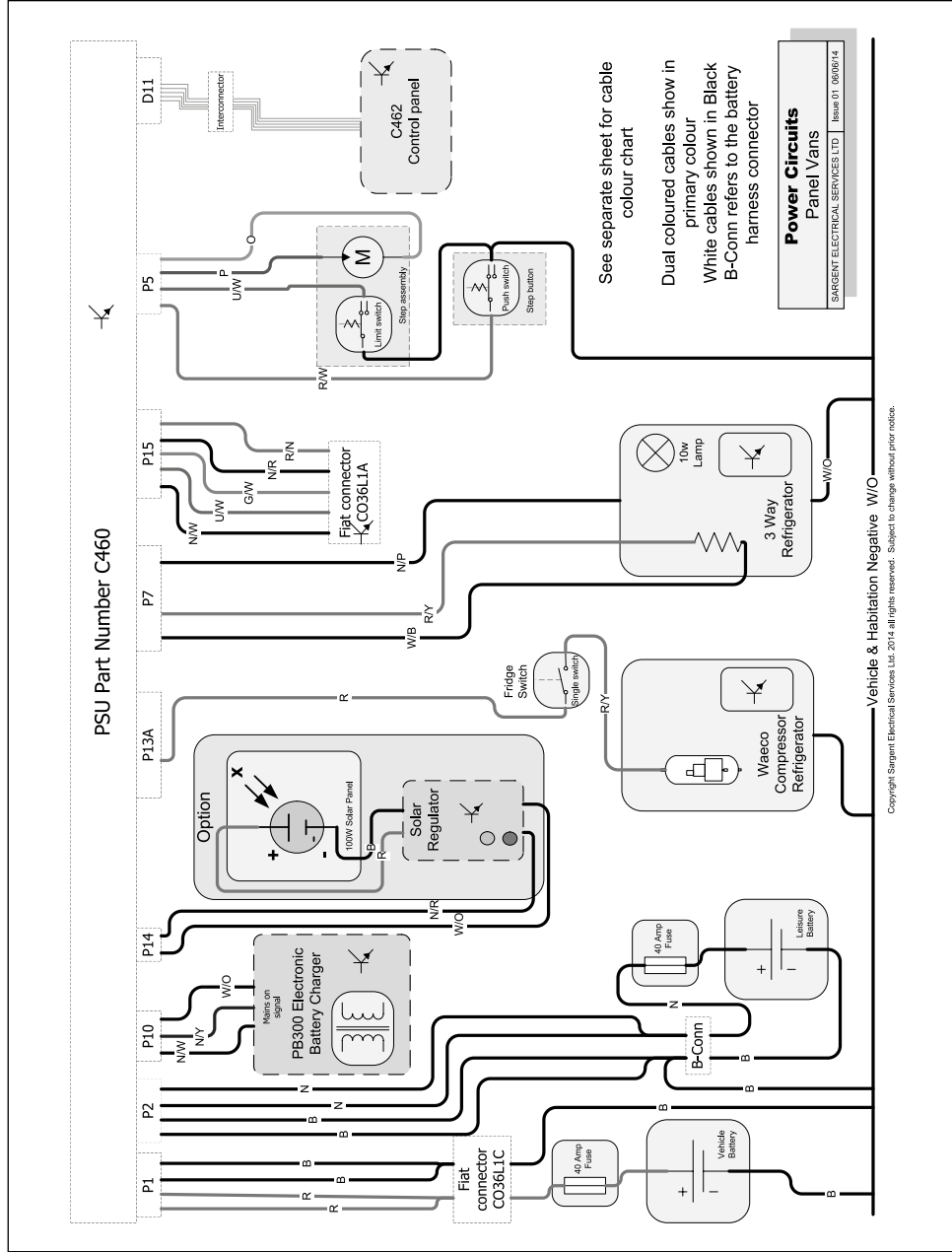
Van Conversion



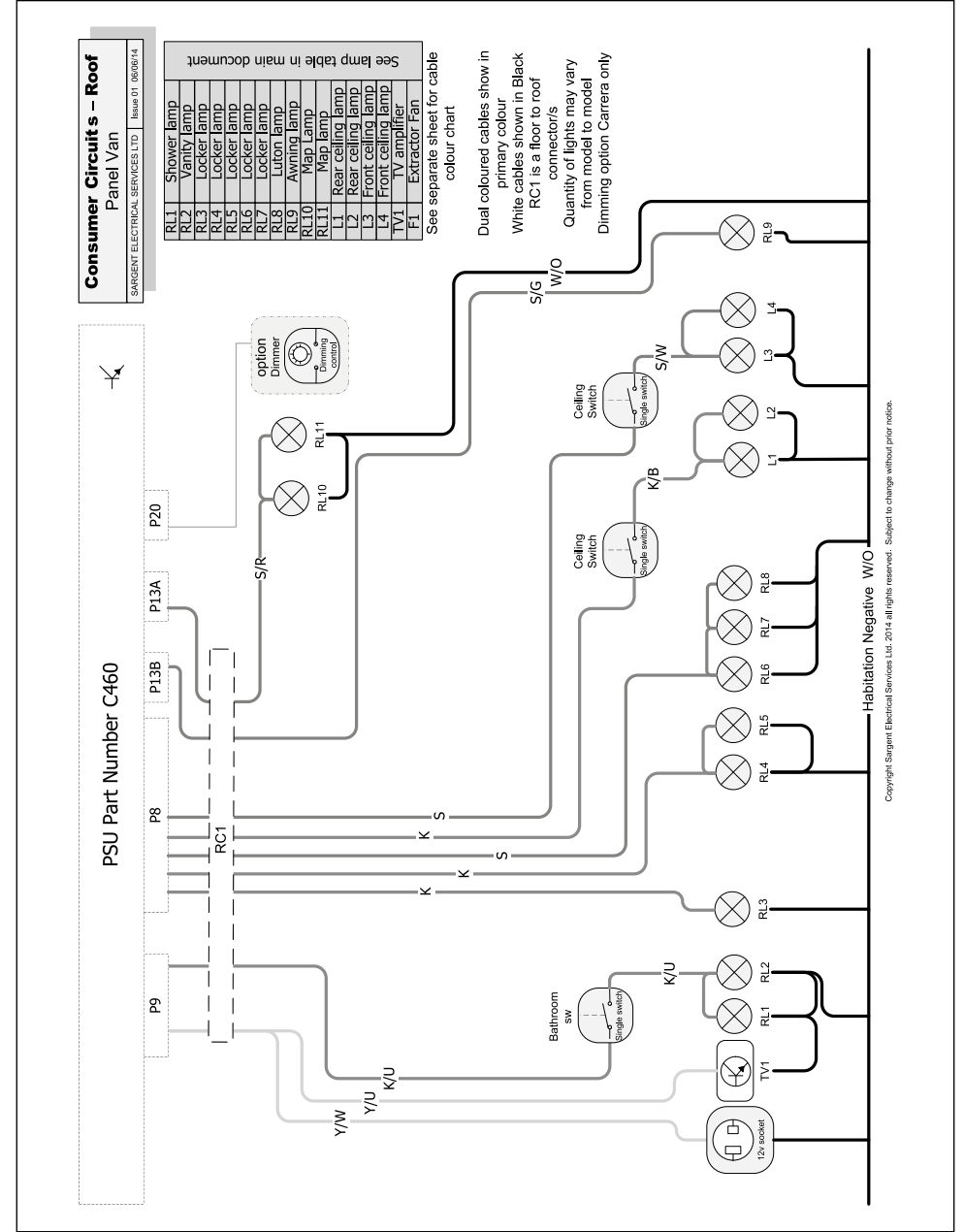
Consumer circuits floor with combi heater



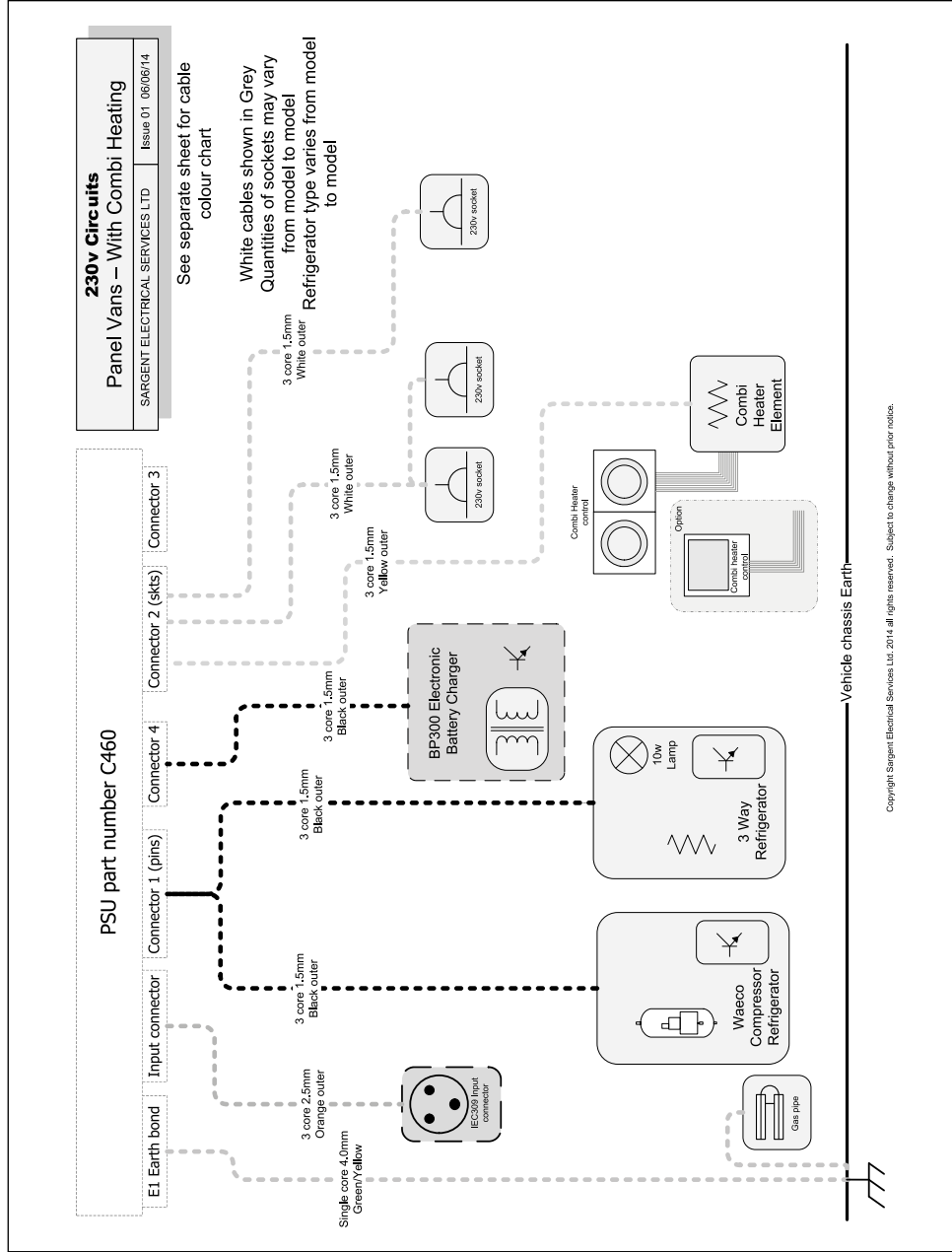
Power circuits



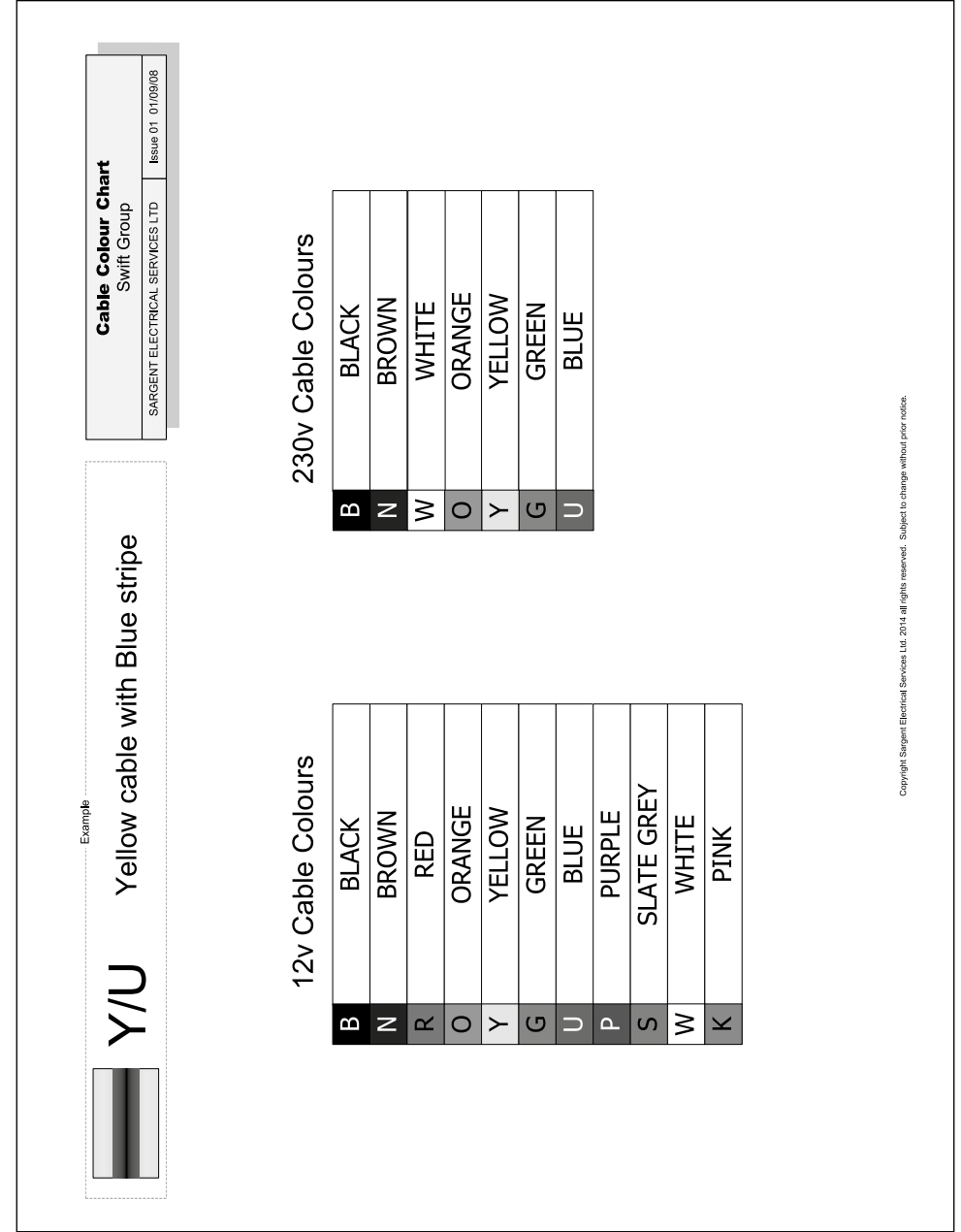
Consumer circuits roof



230v circuits with combi boiler



Cable colour chart



Bulb Chart

Road Lights		
See Fiat or Peugeot manual		
Interior / Other		
Application	Bulb Reference	Bulb Rating
Locker spotlights, LED	FEM0854 complete lamp	12v LED
China locker light	500mm cold cathode 4.5w light	12v 4.5w CCFL
B-pillar map reading lamps	Complete lamp on 'swan neck' flexible arm	12v LED
Awning lamp, LED	FEM0945 LED complete unit	12v LED
Ceiling light, round, recessed	FEM0857 LED complete unit	12v LED
Over locker lights & pelmet lights	FEM1214 flexible LED light strip (cut to length)	12v LED
Illuminated panel backlighting	FEM1214 flexible LED light strip (cut to length)	12v LED
Walkway single LED lights, Black surround	FEM0993 LED complete unit	12v LED
Downlighter, ceiling panel, Black surround	FEM0993 LED complete unit	12v LED
Downlighter, Chrome	FEM1189 LED complete unit	12v LED
Bathroom downlighter, large, Chrome	Halogen capsule bulb	GU4 12v 5w

Note: Not all lights feature on all models within a range

Replacement instructions

ROAD LIGHTING, PANEL VAN REAR LIGHT CLUSTER ACCESS

REAR ROAD LIGHT CLUSTERS

Bulb access is from the rear of the cluster. Please see the Fiat handbook for specific details of the clusters and individual lights contained within them.

The rear road light clusters are secured to the rear of the motorhome via nuts located on the rear of the cluster. To access these fixing nuts, an internal panel must be removed.

Two angled panels can be found at the rear of the motorhome, close to the rear door hinges. In the upper sections of these panels, a removable section exists (the removable panel may also house remote thermostats, light switches etc).

To remove the panel, first locate single screw cover caps at the top of the panel, using a flat bladed screwdriver or similar. Removing the screws will then allow the panel to be pulled up away from the corner of the vehicle, exposing a void with access to the rear of the lamp clusters.

Reverse the procedure and push fit the screw cover cap back into place once complete.

ROAD LIGHTING, FRONT OF VEHICLE

Please see the information contained within the Fiat or Peugeot handbook for details of access to headlight or side repeater bulbs.

