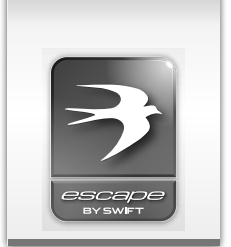


Swift Group
Dunswell Road
Cottingham
East Yorkshire HU16 4JX
Tel **01482 847332**
Fax **01482 841042**
email enquiry@swiftgroup.co.uk

For more information visit
www.swiftgroup.co.uk

Issued July 2014



Escape

Technical Handbook



Specifications 2

Capacities 8

Towing Capabilities 9

Jacking 10

Wiring Diagrams 11

Bulb Chart 17

Bulb Replacement..... 18

Specifications

| Model | Escape 622 Standard | Escape 622 Optional |
|--|------------------------------|---------------------|
| Roof Profile | Low Line | |
| Engine | 130 MJT (2.3L) | 130 MJT (2.3L) Auto |
| Engine Capacity | 2287cc | 2287cc |
| Max Power | 96kW @ 3600rpm | 96kW @ 3600rpm |
| Torque | 320Nm @ 1800rpm | 320Nm @ 1800rpm |
| Chassis | MWB Fiat Chassis | |
| Wheel base | 3.45m/11'4" | |
| Designated Passenger Seats excluding Driver | 1 | |
| Berths (sleeping positions) | 2 | |
| Overall Length (no ladder)** | 6.30m/20'8" | |
| Overall Width (mirrors folded) | 2.31m/7'7" | |
| Overall Height** | 2.85m/9'4" | |
| Maximum Technical Permissible Laden Mass (A) | 3300kg | 3300kg |
| Mass in Running Order (B) | 2777kg | 2794kg |
| Maximum User Payload (A-B) | 523kg | 506kg |
| Unladen Weight | 2610kg | 2672kg |
| Essential Habitation Equipment | 10kg | |
| Thermal Insulation Grade | Three | |
| Bed Sizes | | |
| Front Double | | |
| Front Nearside Single | | |
| Front Offside Single | | |
| Rear Double | 2.08m x 1.34m / 6'10" x 4'5" | |
| Rear Nearside Single | | |
| Rear Offside Single | | |
| Rear Bunk (Upper) | | |
| Rear Bunk (Lower) | | |
| Overcab Bed | | |

| Escape 624 Standard | Escape 624 Optional |
|------------------------------|---------------------|
| High Line | |
| 130 MJT (2.3L) | 130 MJT (2.3L) Auto |
| 2287cc | 2287cc |
| 96kW @ 3600rpm | 96kW @ 3600rpm |
| 320Nm @ 1800rpm | 320Nm @ 1800rpm |
| MWB Fiat Chassis | |
| 3.45m/11'4" | |
| 3 | |
| 5 | |
| 6.30m/20'8" | |
| 2.31m/7'7" | |
| 2.94m/9'8" | |
| 3300kg | 3300kg |
| 2880kg* | 2897kg* |
| 420kg* | 403kg* |
| 2713kg* | 2730kg* |
| 10kg | |
| Three | |
| 1.87m x 1.22m / 6'2" x 4'0" | |
| 1.85m x 0.68m / 6'1" x 2'3" | |
| 1.87m x 0.92m / 6'2" x 3'0" | |
| 2.08m x 1.37m / 6'10" x 4'6" | |

NOTE: 1. The **Maximum User Payload** includes:

- a) the **conventional load** (this is the allowance for passengers)
- b) **essential habitation equipment** (items and fluids required for safe and proper functioning of habitation equipment)
- c) **optional equipment** (items available from the manufacturer over and above the standard specification)
- d) **personal effects** (those items not covered by the above)

2. The **Mass in Running Order** is the mass of the unladen vehicle including a 75kg allowance for the driver plus engine coolants and 90% of the fuel tank and 100% gas capacity.
The MRO is calculated with the fresh water tank empty. If you travel with water in the fresh water tank then the payload will reduce accordingly.

3. PLEASE TAKE CARE TO ENSURE THAT YOU HAVE ALLOWED FOR THE MASSES OF ALL ITEMS YOU INTEND TO CARRY IN THE MOTOR CARAVAN, e.g. passengers, optional equipment, essential

habitation equipment and personal effects, such as clothing, food, pets, bicycles, sailboards, sports equipment etc.

4. **WARNING** - UNDER NO CIRCUMSTANCES SHOULD THE MAXIMUM TECHNICAL PERMISSIBLE LADEN MASS OF THIS MOTOR CARAVAN BE EXCEEDED.

* Estimated

** For optional roof ladder add 125mm to length 40mm to height on Low Line

Specifications

| Model | Escape 644 Standard | Escape 644 Optional |
|--|------------------------------|---------------------|
| Roof Profile | High Line | |
| Engine | 130 MJT (2.3L) | 130 MJT (2.3L) Auto |
| Engine Capacity | 2287cc | 2287cc |
| Max Power | 96kW @ 3600rpm | 96kW @ 3600rpm |
| Torque | 320Nm @ 1800rpm | 320Nm @ 1800rpm |
| Chassis | MWB Fiat Chassis | |
| Wheel base | 3.45m/11'4" | |
| Designated Passenger Seats excluding Driver | 3 | |
| Berths (sleeping positions) | 4 | |
| Overall Length (no ladder)** | 6.30m/20'8" | |
| Overall Width (mirrors folded) | 2.31m/7'7" | |
| Overall Height** | 2.94m/9'8" | |
| Maximum Technical Permissible Laden Mass (A) | 3300kg | 3300kg |
| Mass in Running Order (B) | 2886kg* | 2903kg* |
| Maximum User Payload (A-B) | 414kg* | 397kg* |
| Unladen Weight | 2742kg* | 2759kg* |
| Essential Habitation Equipment | 10kg | |
| Thermal Insulation Grade | Three | |
| Bed Sizes | | |
| Front Double | | |
| Front Nearside Single | | |
| Front Offside Single | | |
| Rear Double | 2.08m x 1.34 / 6'10" x 4'5" | |
| Rear Nearside Single | | |
| Rear Offside Single | | |
| Rear Bunk (Upper) | | |
| Rear Bunk (Lower) | | |
| Overcab Bed | 2.08m x 1.37m / 6'10" x 4'6" | |

NOTE: 1. **The Maximum User Payload** includes:

- a) the **conventional load** (this is the allowance for passengers)
- b) **essential habitation equipment** (items and fluids required for safe and proper functioning of habitation equipment)
- c) **optional equipment** (items available from the manufacturer over and above the standard specification)
- d) **personal effects** (those items not covered by the above)

2. The **Mass in Running Order** is the mass of the unladen vehicle including a 75kg allowance for the driver plus engine coolants and 90% of the fuel tank and 100% gas capacity.
The MRO is calculated with the fresh water tank empty. If you travel with water in the fresh water tank then the payload will reduce accordingly.

3. PLEASE TAKE CARE TO ENSURE THAT YOU HAVE ALLOWED FOR THE MASSES OF ALL ITEMS YOU INTEND TO CARRY IN THE MOTOR CARAVAN, e.g. passengers, optional equipment, essential

habitation equipment and personal effects, such as clothing, food, pets, bicycles, sailboards, sports equipment etc.

4. **WARNING** - UNDER NO CIRCUMSTANCES SHOULD THE MAXIMUM TECHNICAL PERMISSIBLE LADEN MASS OF THIS MOTOR CARAVAN BE EXCEEDED.

* Estimated

** For optional roof ladder add 125mm to length 40mm to height on Low Line

| Escape 664 Standard | Escape 664 Optional | Escape 664 Optional MTPLM | Escape 664 Optional MTPLM |
|---|---------------------|---------------------------|---------------------------|
| Low Line | | Low Line | |
| 130 MJT (2.3L) | 130 MJT (2.3L) Auto | 130 MJT (2.3L) | 130 MJT (2.3L) Auto |
| 2287cc | 2287cc | 2287cc | 2287cc |
| 96kW @ 3600rpm | 96kW @ 3600rpm | 96kW @ 3600rpm | 96kW @ 3600rpm |
| 320Nm @ 1800rpm | 320Nm @ 1800rpm | 320Nm @ 1800rpm | 320Nm @ 1800rpm |
| MLWB Fiat Chassis | | | |
| 3.80m/12'6" | | | |
| 3 | | | |
| 4 | | | |
| 6.72m/22'1" | | | |
| 2.31m/7'7" | | | |
| 2.85m/9'4" | | | |
| 3500kg | | 3650kg | |
| 2894kg* | 2911kg* | 2894kg* | 2911kg* |
| 606kg* | 589kg* | 756kg* | 739kg* |
| 2727kg* | 2744kg* | 2727kg* | 2744kg* |
| 10kg | | | |
| Three | | | |
| 2.08m x 1.24/0.93m / 6'10" x 4'11"/3'1" | | | |
| 1.85m x 1.25m / 6'1" x 4'1" | | | |

Specifications

| Model | Escape 686 Standard | Escape 686 Optional | Escape 686 Optional MTPLM | Escape 686 Optional MTPLM |
|--|------------------------------|---------------------|---------------------------|---------------------------|
| Roof Profile | High Line | | High Line | |
| Engine | 130 MJT (2.3L) | 130 MJT (2.3L) Auto | 130 MJT (2.3L) | 130 MJT (2.3L) Auto |
| Engine Capacity | 2287cc | 2287cc | 2287cc | 2287cc |
| Engine Power | 96kW @ 3600rpm | 96kW @ 3600rpm | 96kW @ 3600rpm | 96kW @ 3600rpm |
| Torque | 320Nm @ 1800rpm | 320Nm @ 1800rpm | 320Nm @ 1800rpm | 320Nm @ 1800rpm |
| Chassis | MLWB Fiat Chassis | | MLWB Fiat Chassis | |
| Wheel base | 4.04m/13'3" | | | |
| Designated Passenger Seats excluding Driver | 4 | | 5 | |
| Berths (sleeping positions) | 6 | | 6 | |
| Overall Length (no ladder)** | 6.92m/22'8" | | | |
| Overall Width (mirrors folded) | 2.31m/7'7" | | | |
| Overall Height** | 2.94m/9'8" | | | |
| Maximum Technical Permissible Laden Mass (A) | 3500kg | | 3650kg | |
| Mass in Running Order (B) | 3010kg* | 3027kg* | 3010kg* | 3027kg* |
| Maximum User Payload (A-B) | 490kg* | 473kg* | 640kg* | 623kg* |
| Unladen Weight | 2866kg* | 2883kg* | 2866kg* | 2883kg* |
| Essential Habitation Equipment | 10kg | | | |
| Thermal Insulation Grade | Three | | | |
| | | | | |
| Bed Sizes | | | | |
| Front Double | 1.82m x 1.22m / 6'0" x 4'0" | | | |
| Front Nearside Single | | | | |
| Front Offside Single | 1.82m x 0.92m / 6'0" x 3'0" | | | |
| Rear Double | 2.08m x 1.34m / 6'10" x 4'5" | | | |
| Rear Nearside Single | | | | |
| Rear Offside Single | | | | |
| Rear Bunk (Upper) | | | | |
| Rear Bunk (Lower) | | | | |
| Overcab Bed | 2.08m x 1.37m / 6'10" x 4'7" | | | |

| Escape 696 Standard | Escape 696 Optional | Escape 696 Optional MTPLM | Escape 696 Optional MTPLM |
|------------------------------|---------------------|---------------------------|---------------------------|
| High Line | | High Line | |
| 130 MJT (2.3L) | 130 MJT (2.3L) Auto | 130 MJT (2.3L) | 130 MJT (2.3L) Auto |
| 2287cc | 2287cc | 2287cc | 2287cc |
| 96kW @ 3600rpm | 96kW @ 3600rpm | 96kW @ 3600rpm | 96kW @ 3600rpm |
| 320Nm @ 1800rpm | 320Nm @ 1800rpm | 320Nm @ 1800rpm | 320Nm @ 1800rpm |
| LWB Fiat Chassis | | LWB Fiat Chassis | |
| 4.04m/13'3" | | | |
| 4 | | 5 | |
| 6 | | 6 | |
| 6.92m/22'8" | | | |
| 2.31m/7'7" | | | |
| 2.94m/9'8" | | | |
| 3500kg | | 3650kg | |
| 3015kg | 3032kg | 3015kg | 3032kg |
| 485kg | 468kg | 635kg | 618kg |
| 2872kg | 2889kg | 2872kg | 2889kg |
| 10kg | | | |
| Three | | | |
| | | | |
| | | | |
| 2.08m x 1.36m / 6'10" x 4'6" | | | |
| | | | |
| 1.82m x 0.92m / 6'0" x 3'0" | | | |
| | | | |
| | | | |
| | | | |
| 1.96m x 0.75m / 6'5" x 2'6" | | | |
| 1.93m x 0.73m / 6'4" x 2'5" | | | |
| 2.08m x 1.37m / 6'10" x 4'6" | | | |

NOTE: 1. **The Maximum User Payload** includes:

- a) the **conventional load** (this is the allowance for passengers)
- b) **essential habitation equipment** (items and fluids required for safe and proper functioning of habitation equipment)
- c) **optional equipment** (items available from the manufacturer over and above the standard specification)
- d) **personal effects** (those items not covered by the above)

2. The **Mass in Running Order** is the mass of the unladen vehicle including a 75kg allowance for the driver plus engine coolants and 90% of the fuel tank and 100% gas capacity.
The MRO is calculated with the fresh water tank empty. If you travel with water in the fresh water tank then the payload will reduce accordingly.

3. PLEASE TAKE CARE TO ENSURE THAT YOU HAVE ALLOWED FOR THE MASSES OF ALL ITEMS YOU INTEND TO CARRY IN THE MOTOR CARAVAN, e.g. passengers, optional equipment, essential

habitation equipment and personal effects, such as clothing, food, pets, bicycles, sailboards, sports equipment etc.

4. **WARNING** - UNDER NO CIRCUMSTANCES SHOULD THE MAXIMUM TECHNICAL PERMISSIBLE LADEN MASS OF THIS MOTOR CARAVAN BE EXCEEDED.

* Estimated

** For optional roof ladder add 125mm to length 40mm to height on Low Line

Capacities

Water Tank Capacities

| | Fresh Water Tank | Waste Water Tank | Water Heater |
|------------|------------------|------------------|--------------|
| Escape | 65 litre | 68 litre | 10 litre |
| Escape 696 | 80 litre | 68 litre | 10 litre |

Gas Capacities

| | Capacity |
|--------|-------------------|
| Escape | 2 x 6kg CalorLite |

The above are recommended gas bottle sizes

NOTICE : For technical data on the base vehicle please refer to manufacturer's handbook

Towing Capabilities

Escape Towing Capabilities

| Model | Engine / Chassis | MTPLM | Permissible Front Axle Load | Permissible Rear Axle Load | Recommended Maximum Trailer Weight | Gross Train Weight |
|------------------------|---------------------|--------|-----------------------------|----------------------------|------------------------------------|--------------------|
| Escape 622 | 130 MJT (2.3L) | 3300kg | 1750kg | 1900kg | 1600kg* | 4900kg |
| Escape 622 | 130 MJT (2.3L) Auto | 3300kg | 1750kg | 1900kg | 1600kg* | 4900kg |
| Escape 624 | 130 MJT (2.3L) | 3300kg | 1750kg | 1900kg | 1600kg* | 4900kg |
| Escape 624 | 130 MJT (2.3L) Auto | 3300kg | 1750kg | 1900kg | 1600kg* | 4900kg |
| Escape 644 | 130 MJT (2.3L) | 3300kg | 1750kg | 1900kg | 1600kg* | 4900kg |
| Escape 644 | 130 MJT (2.3L) Auto | 3300kg | 1750kg | 1900kg | 1600kg* | 4900kg |
| Escape 664 | 130 MJT (2.3L) | 3500kg | 1850kg | 2000kg | 1600kg | 5100kg |
| Escape 664 | 130 MJT (2.3L) Auto | 3500kg | 1850kg | 2000kg | 1600kg | 5100kg |
| Escape 664 | 130 MJT (2.3L) | 3650kg | 1850kg | 2000kg | 1600kg | 5250kg |
| Escape 664 | 130 MJT (2.3L) Auto | 3650kg | 1850kg | 2000kg | 1600kg | 5250kg |
| Escape 686 (6 persons) | 130 MJT (2.3L) | 3650kg | 1850kg | 2000kg | 1600kg* | 5250kg |
| Escape 686 (6 persons) | 130 MJT (2.3L) Auto | 3650kg | 1850kg | 2000kg | 1600kg* | 5250kg |
| Escape 686 (5 persons) | 130 MJT (2.3L) | 3500kg | 1850kg | 2000kg | 1600kg* | 5100kg |
| Escape 686 (5 persons) | 130 MJT (2.3L) Auto | 3500kg | 1850kg | 2000kg | 1600kg* | 5100kg |
| Escape 696 (6 persons) | 130 MJT (2.3L) | 3650kg | 1850kg | 2000kg | 1600kg* | 5250kg |
| Escape 696 (6 persons) | 130 MJT (2.3L) Auto | 3650kg | 1850kg | 2000kg | 1600kg* | 5250kg |
| Escape 696 (5 persons) | 130 MJT (2.3L) | 3500kg | 1850kg | 2000kg | 1600kg* | 5100kg |
| Escape 696 (5 persons) | 130 MJT (2.3L) Auto | 3500kg | 1850kg | 2000kg | 1600kg* | 5100kg |

Please note that the additional weight of the tow bar and trailer nose weight increases the rear axle loading of the motor home so care should be taken that the rear axle load is not exceeded when towing.

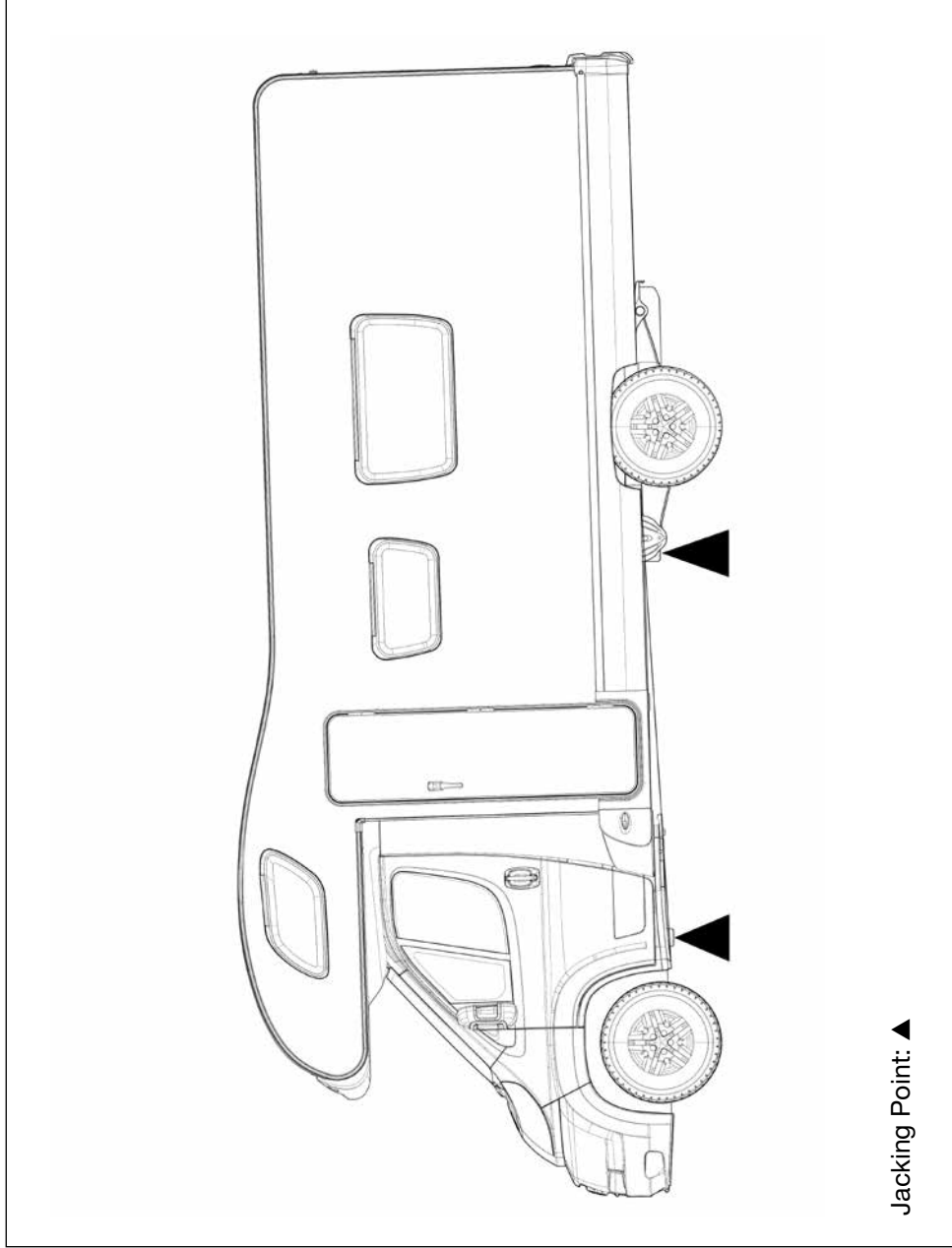
* With this vehicle configuration it will be necessary to reduce the payload carried inside the van when towing to ensure that the MTPLM and maximum axle loads are not exceeded.

To ensure adequate road holding, the load on the front axle, under all conditions, must not be less than 40% or more than 70% of the total weight.

Care must be taken when distributing loads. The loadings and weights above are maximums and must not be exceeded under any circumstances.

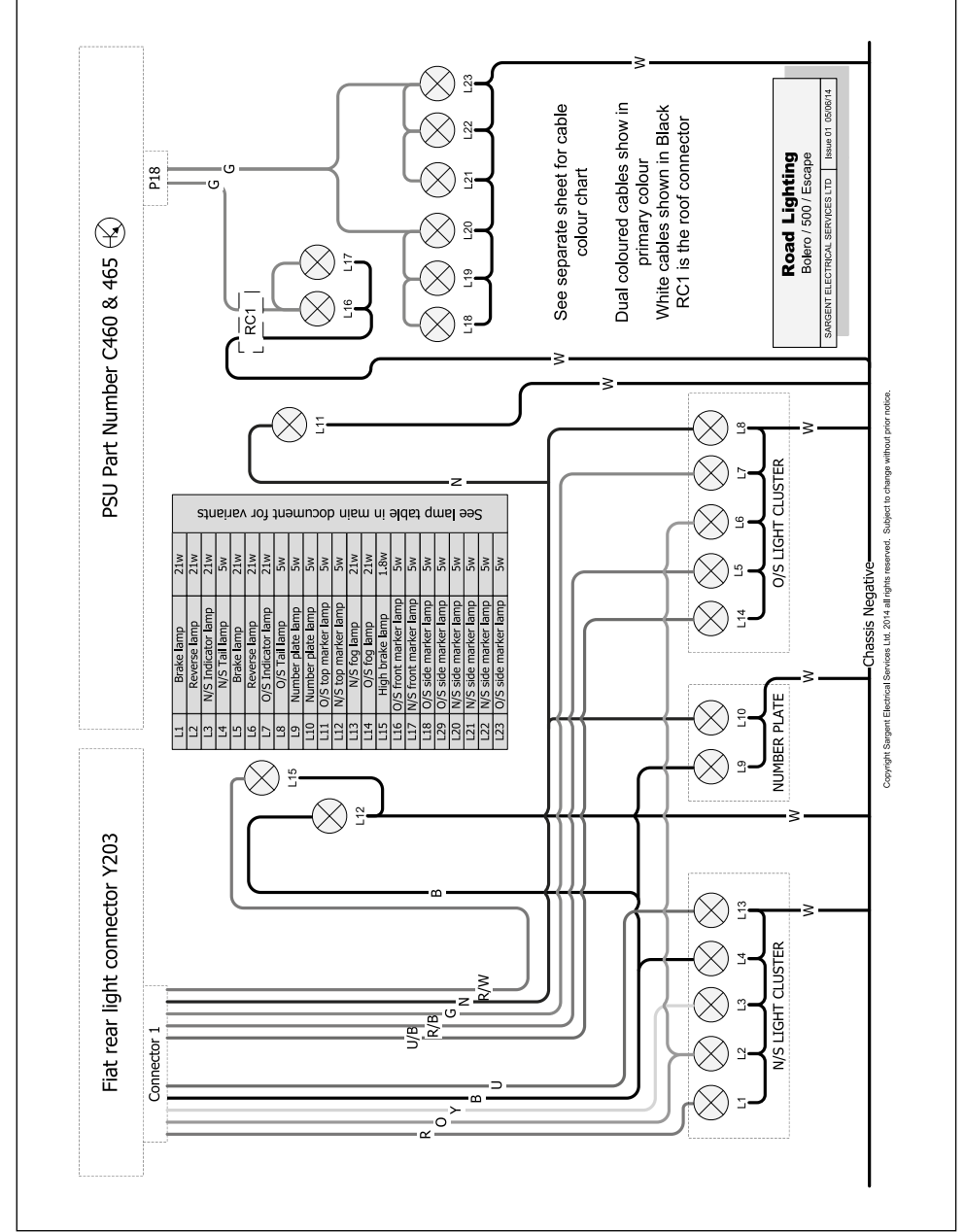
CAUTION: When fitting a towbar, it must meet certain minimum requirements as specified by Type Approval Regulations. The bar will have marked on it the approval standard (94/20/EC or 55RECE) and the maximum download, or nose weight, that it can accept. It must fit the manufacturer's approved mounting points and must not obscure the towing vehicle's number plate.

SWIFT ESCAPE

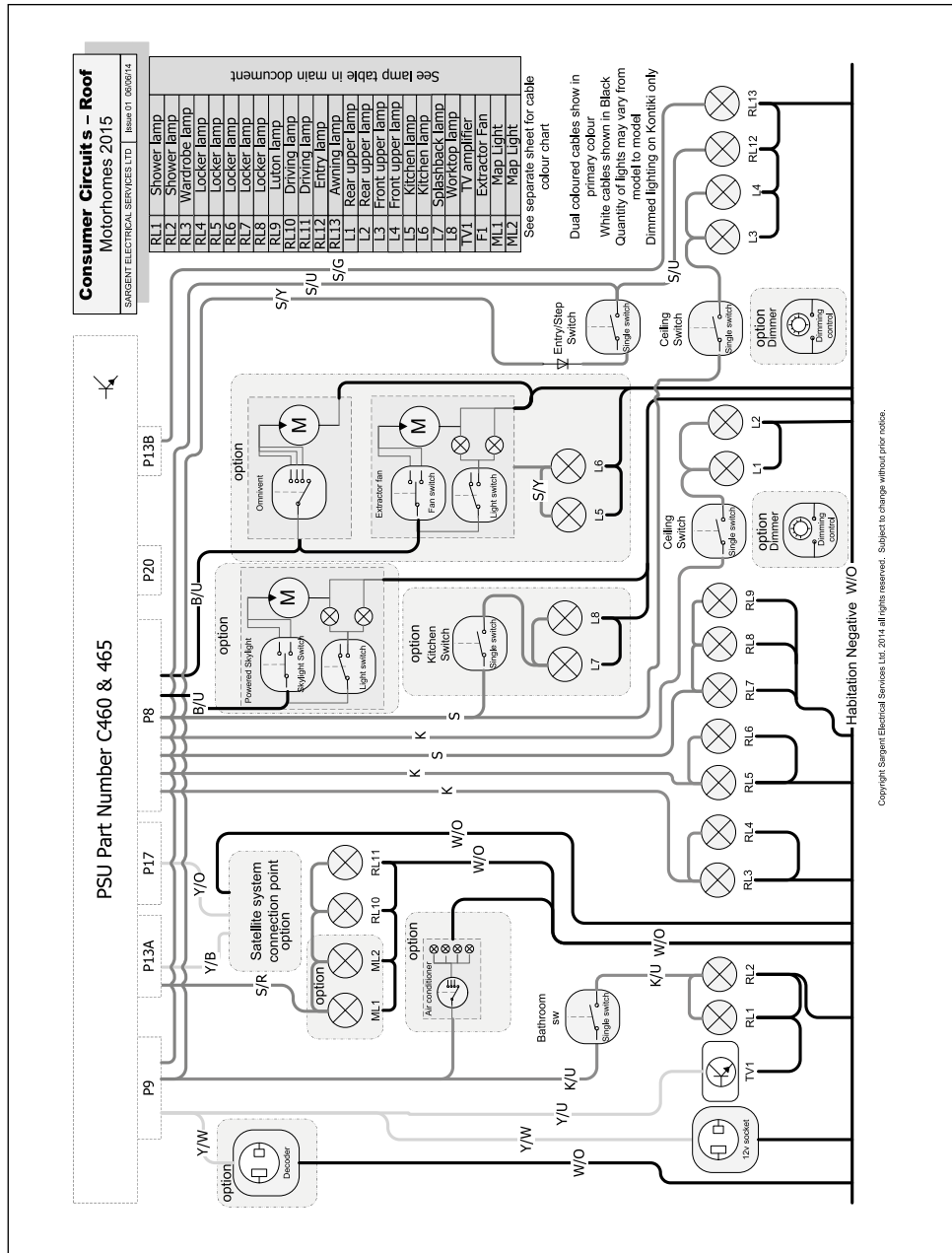


Jacking Point: ▲

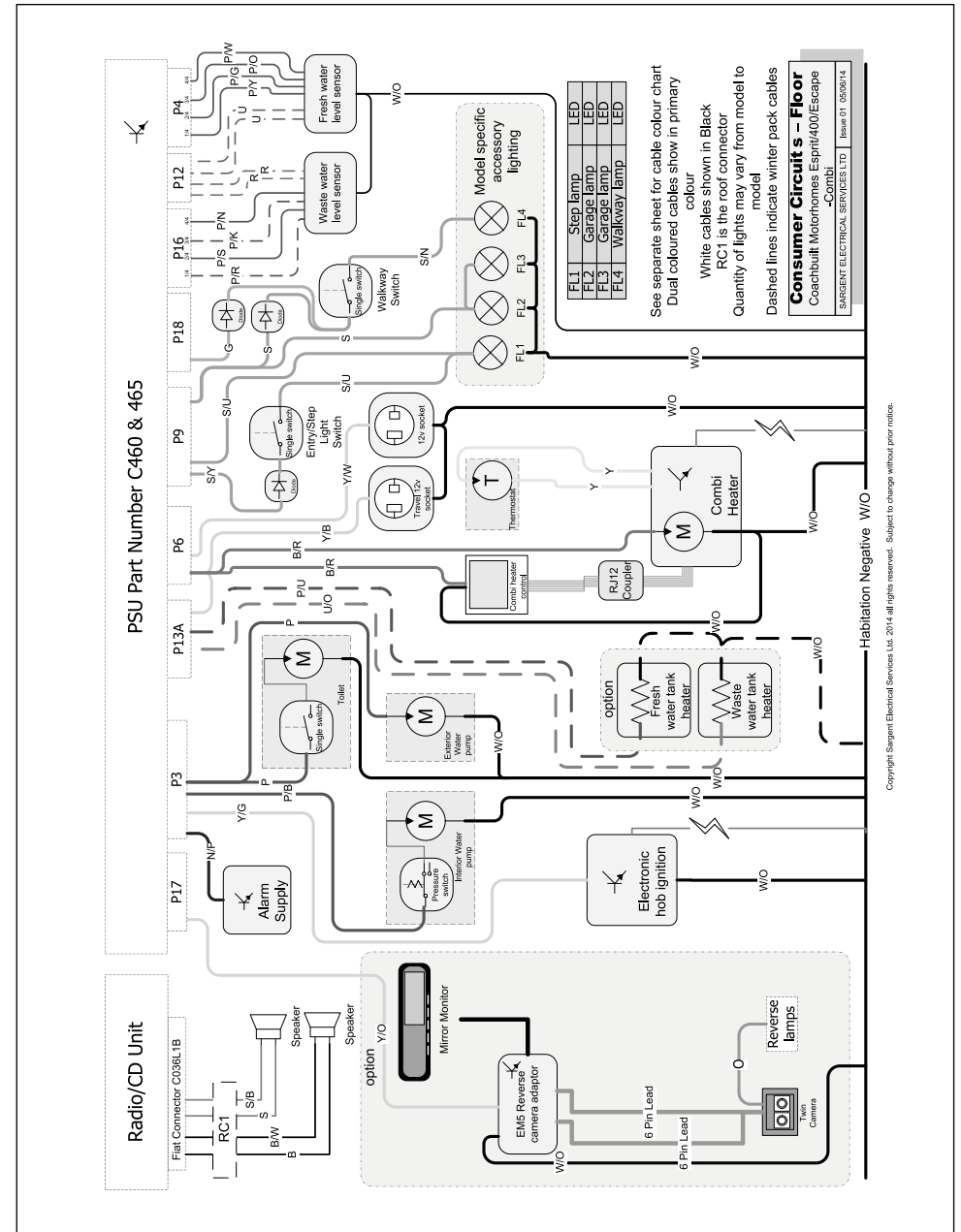
Escape - Road lighting circuits



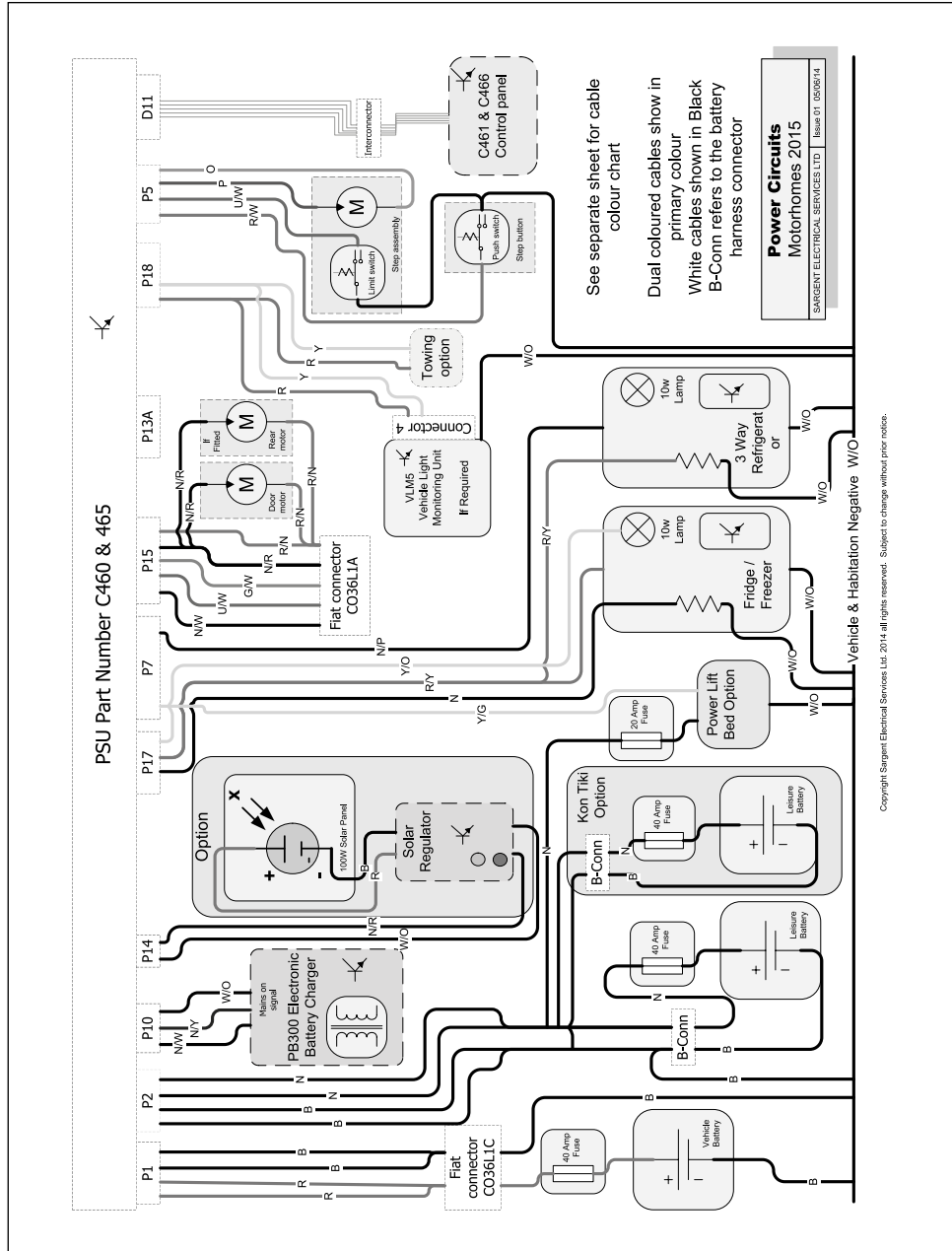
Escape - Roof lighting circuits



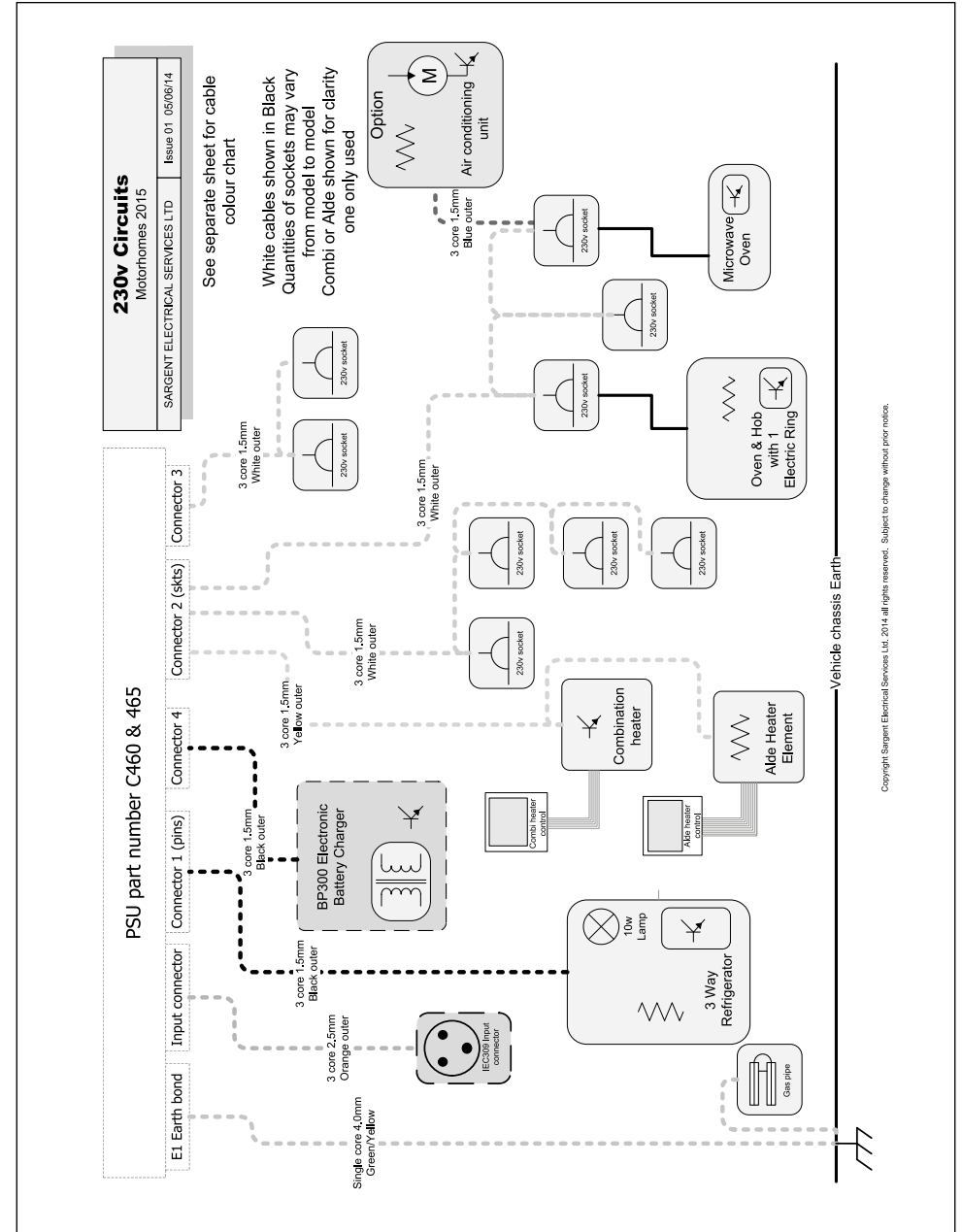
Escape - Consumer Circuits - Floor circuits



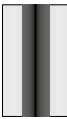
Escape - Power circuits



Escape - 230V



Escape - Cable Colour Chart



Y/U Yellow cable with Blue stripe

Example

Cable Colour Chart
Swift Group

SARGENT ELECTRICAL SERVICES LTD Issue 01 01/09/08

| 12v Cable Colours | |
|-------------------|------------|
| B | BLACK |
| N | BROWN |
| R | RED |
| O | ORANGE |
| Y | YELLOW |
| G | GREEN |
| U | BLUE |
| P | PURPLE |
| S | SLATE GREY |
| W | WHITE |
| K | PINK |

| 230v Cable Colours | |
|--------------------|--------|
| B | BLACK |
| N | BROWN |
| W | WHITE |
| O | ORANGE |
| Y | YELLOW |
| G | GREEN |
| U | BLUE |

Copyright Sargent Electrical Services Ltd. 2014. All rights reserved. Subject to change without prior notice.

| Road Lights | | |
|---------------------------------|----------------------------|---------------|
| Application | Bulb Reference | Bulb Rating |
| Front marker light | LED complete lamp | 12v <1w |
| Front marker light | W5W | 12v 5w |
| Side marker light | W5W | 12v 5w |
| Rear high level marker light | C5W | 12v 5w |
| High level stop lamp | T5/13.5 | 12v 2.3w |
| Rear indicator lamp | P21 | 12v 21w |
| Rear Stop / Tail lamp | P21/5W | 12v 21w / 5w |
| Rear reverse lamp | P21 | 12v 21w |
| Rear fog lamp | P21 | 12v 21w |
| Number plate light | C5W | 12v 5w |
| | | |
| Application | Bulb Reference | Bulb Rating |
| Locker spotlights | LED complete lamp FEM0854 | 12v LED |
| Downlights | LED complete lamp FEM01189 | 12v LED |
| Ceiling lights, 3x illuminators | LED complete lamp FEM0858 | 12v LED |
| Luton lamp, White, switched | Halogen capsule bulb | G4 12v 10w |
| China locker lamp | CCFL Complete lamp | 12v 4.5w CCFL |
| Bunk reading lamp | LED Complete lamp SCSKIM2 | 12v LED |
| Awning lamp | LED complete lamp FEM0945 | 12v LED |

Note: Not all lights feature on all models within a range

Replacement instructions

ESCAPE ROAD LIGHTING, COACH-BUILT BODY MOUNTED LAMPS

STOP / TAIL, INDICATOR, FOG AND REVERSE LAMPS

- Bulb access is from front / via lens of each lamp
- Remove 2x screws from each light lens and withdraw lens
- Bulbs are a bayonet fitting – apply slight pressure on bulb towards light fitting, and twist to release
- Reverse procedure to re-fit bulb and lens.
- Take care when replacing stop/tail lamp bulb, that orientation of bulb is correct - to check, brake light operation should be brighter than tail lamp operation.

UPPER REAR SIDE POSITION LAMPS (RED / CLEAR LENS)

- Lens is removed from base to access bulb
- Carefully insert small flat bladed screwdriver into recess in lower edge of lamp base. Apply pressure to release locking barb.

- Lift lens upwards and away from lamp base, lower edge first
- Lever bulb out of retaining clips
- Reverse procedure to re-fit bulb and lens

HIGH LEVEL BRAKE LAMP

- Remove 2x screws at either end of lamp, and withdraw lamp away from cowl
- Harness connects via a connector with retention barb into the rear of the lamp. With finger pressure or using a small screwdriver release the barb by pushing it toward the harness, and unplug the harness from the lamp
- Push fit connector back into replacement lamp, and secure lamp to motorhome body with 2x screws
- Lamp retaining screws are fixed into a rubber sleeve with a threaded insert, often known as a rawlnut. If lamp has been removed / re-fitted several times the rubber sleeve may need replacing, these are available through your dealer

SIDE MARKER / POSITION LAMPS

- Bulb access is from rear of lamp
- Check first within motorhome if rear of lamp is visible
- If rear of lamp is visible:
 - Harness plugs into bulb holder - twist bulb holder relative to lamp body to release bulb holder from lamp body
 - Bulbs are push fit into bulb holder - pull bulb directly away from holder to release
 - Reverse procedure to replace bulb in holder, holder in lamp and lamp onto motorhome body
- If rear of lamp is not visible:
 - Remove 2x screws from light fitting, and withdraw whole fitting from motorhome body
 - Harness plugs into bulb holder - twist bulb holder relative to lamp body to release bulb holder from lamp body
 - Bulbs are push fit into bulb holder - pull bulb directly away from holder to release
 - Reverse procedure to replace bulb in holder, holder in lamp and lamp onto motorhome body

FRONT HIGH LEVEL MARKER / POSITION LAMPS (RECTANGULAR LENS)

- These lamps are LED and have no user serviceable parts inside.
- Replacements should be undertaken by your dealer, as the lamps are sealed onto the mounting panel.

FRONT HIGH LEVEL MARKER / POSITION LAMPS (OVAL LENS)

- Bulb access is from rear of lamp
- Remove 2x screws from light fitting, and withdraw whole fitting from motorhome body
- Harness plugs into bulb holder - twist bulb holder relative to lamp body to release bulb holder from lamp body
- Bulbs are push fit into bulb holder - pull bulb directly away from holder to release
- Reverse procedure to replace bulb in holder, holder in lamp and lamp onto motorhome body

