



**SWIFT**  
CREATING SMILES FOR LIFE

---

# Swift Group Technical Handbook

Coach built Motorhomes

Issued September 2021

Part No. 1442374



## Edge

Edge Specifications .....	4
Edge Capacities .....	9
Edge Towing Capabilities .....	10
Edge Jacking .....	11

## Select Compact & Escape

Select Compact Specifications .....	12
Escape Specifications .....	16
Select Compact & Escape Capacities .....	21
Select Compact & Escape Towing Capabilities .....	22
Select Compact & Escape Jacking .....	23
Dealer Special Editions based on Escape .....	46

## Kon-Tiki

Kon-Tiki Specifications .....	26
Kon-Tiki Capacities .....	33
Kon-Tiki Towing Capabilities .....	34
Kon-Tiki Jacking .....	35
Dealer Special Editions based on Kon-Tiki .....	56

Wiring Diagrams .....	36
-----------------------	----

Bulb Replacement .....	45
------------------------	----

## Bed Make Up

Edge bed make up .....	60
Select Compact bed make up .....	63
Escape and Kon-Tiki bed make up .....	64

# Edge Specifications

Model	Edge 464 Standard		Edge 464 Optional	
Roof Profile	Low Line			
Engine	120 MJT / 140 MJT		140 MJT Auto	
Engine Capacity	2.2ltr			
Max Power	120 hp @ 3500 rpm / 140 HP @ 3500rpm		140 HP @ 3500rpm	
Torque	320 Nm @ 1400 rpm / 350 Nm @ 1400rpm		380 Nm @ 1400rpm	
Chassis	MLWB Fiat Chassis			
Wheel base	3.80m / 12'6"			
Designated Passenger Seats (excluding Driver)	3			
Berths (sleeping positions)	4			
Overall Length (no ladder)	6.75m / 22'2"			
Overall Width (mirrors folded)	2.39m / 7'10"			
Overall Height	2.91m / 9'6"			
Maximum Technical Permissible Laden Mass (A)	3500kg	3650kg	3500kg	3650kg
Mass in Running Order (B)	2850kg	2850kg	2883kg	2883kg
Maximum User Payload (A-B)	650kg	650kg	617kg	767kg
Unladen Weight	2720kg	2720kg	2753kg	2753kg
Essential Habitation Equipment	0kg			
Thermal Insulation Grade	THREE			
<b>Bed Sizes</b>				
Front Double	215cm x 123cm / 92cm / 7'1" x 4'0" / 3'0"			
Rear Double	188cm x 133cm / 6'2" x 4'4"			
Rear Nearside Single				
Rear Offside Single				
Rear Bunk (Upper)				
Rear Bunk (Lower)				
Overcab bed				

**NOTE: 1. The Maximum User Payload** includes:

- the **conventional load** (this is the allowance for passengers)
- essential habitation equipment** (items and fluids required for safe and proper functioning of habitation equipment)
- optional equipment** (items available from the manufacturer over and above the standard specification)
- personal effects** (those items not covered by the above)

- The **Mass in Running Order** is the mass of the unladen vehicle including a 75kg allowance for the driver plus engine coolants and 90% of the fuel tank and 1 x 6kg Calor Lite cylinder.
- The MRO is calculated with the fresh water tank empty. If you travel with water in the fresh water tank then the payload will reduce accordingly.
- PLEASE TAKE CARE TO ENSURE THAT YOU HAVE ALLOWED FOR THE MASSES OF ALL ITEMS YOU INTEND TO CARRY IN THE MOTOR CARAVAN, e.g. passengers, optional equipment, essential habitation equipment and personal effects, such as clothing, food, pets, bicycles, sailboards, s equipment etc.

**5. WARNING - UNDER NO CIRCUMSTANCES SHOULD THE MAXIMUM TECHNICAL PERMISSIBLE LADEN MASS OF THIS MOTOR CARAVAN BE EXCEEDED.**

Est = Estimated

# Edge Specifications

Model	Edge 466 Standard	Edge 466 Optional
Roof Profile	High Line	
Engine	120 MJT / 140 MJT	140 MJT Auto
Engine Capacity	2.2ltr	
Max Power	120 hp @ 3500 rpm / 140 HP @ 3500rpm	140 HP @ 3500rpm
Torque	320 Nm @ 1400 rpm / 350 Nm @ 1400rpm	380 Nm @ 1400rpm
Chassis	LWB Fiat Chassis	
Wheel base	4.04m / 13' 3"	
Designated Passenger Seats (excluding Driver)	5	
Berths (sleeping positions)	6	
Overall Length (no ladder)	7.32m / 24'0"	
Overall Width (mirrors folded)	2.39m / 7'10"	
Overall Height	2.98m / 9'9"	
Maximum Technical Permissible Laden Mass (A)	3650kg	
Mass in Running Order (B)	3016kg Est	3049kg Est
Maximum User Payload (A-B)	634kg Est	601kg Est
Unladen Weight	2886kg Est	2919kg Est
Essential Habitation Equipment	0kg	
Thermal Insulation Grade	THREE	
<b>Bed Sizes</b>		
Front Double	215cm x 180cm x 121cm / 7'1" x 5'11" x 4'0"	
Rear Double		
Rear Nearside Single		
Rear Offside Single		
Rear Bunk (Upper)	204cm x 85cm / 6'8" x 2'9"	
Rear Bunk (Lower)	204cm x 85cm / 6'8" x 2'9"	
Overcab bed	190cm x 134cm / 6'3" x 4'5"	

**NOTE: 1. The Maximum User Payload** includes:

- conventional load** (this is the allowance for passengers)
- essential habitation equipment** (items and fluids required for safe and proper functioning of habitation equipment)
- optional equipment** (items available from the manufacturer over and above the standard specification)
- personal effects** (those items not covered by the above)

2. The **Mass in Running Order** is the mass of the unladen vehicle including a 75kg allowance for the driver plus engine coolants and 90% of the fuel tank and 1 x 6kg Calor Lite cylinder.

3. The MRO is calculated with the fresh water tank empty. If you travel with water in the fresh water tank then the payload will reduce accordingly.

4. PLEASE TAKE CARE TO ENSURE THAT YOU HAVE ALLOWED FOR THE MASSES OF ALL ITEMS YOU INTEND TO CARRY IN THE MOTOR CARAVAN, e.g. passengers, optional equipment, essential habitation equipment and personal effects, such as clothing, food, pets, bicycles, sailboards, s equipment etc.

5. **WARNING** - UNDER NO CIRCUMSTANCES SHOULD THE MAXIMUM TECHNICAL PERMISSIBLE LADEN MASS OF THIS MOTOR CARAVAN BE EXCEEDED.

Est = Estimated

# Edge Specifications

Model	Edge 476 Standard		Edge 476 Optional
Roof Profile	High Line		
Engine	120 MJT / 140 MJT		140 MJT Auto
Engine Capacity	2.2ltr		
Max Power	120 hp @ 3500 rpm / 140 HP @ 3500rpm		140 HP @ 3500rpm
Torque	320 Nm @ 1400 rpm / 350 Nm @ 1400rpm		380 Nm @ 1400rpm
Chassis	LWB Fiat Chassis		
Wheel base	4.04m / 13' 3"		
Designated Passenger Seats (excluding Driver)	5		
Berths (sleeping positions)	6		
Overall Length (no ladder)	7.32m / 24'0"		
Overall Width (mirrors folded)	2.39m / 7'10"		
Overall Height	2.98m / 9'9"		
Maximum Technical Permissible Laden Mass (A)	3500kg	3650kg	3650kg
Mass in Running Order (B)	2991kg	2991kg	3024kg
Maximum User Payload (A-B)	509kg	659kg	626kg
Unladen Weight	2861kg	2861kg	2894kg
Essential Habitation Equipment	0kg		
Thermal Insulation Grade	THREE		
<b>Bed Sizes</b>			
Front Double	215cm x 180cm / 86cm / 7'1" x 5'11" / 2'10"		
Rear Double	214cm x 143cm / 7'0" x 4'8"		
Rear Nearside Single	191cm x 83cm / 6'3" x 2'5"		
Rear Offside Single	191cm x 83cm / 6'3" x 2'5"		
Rear Bunk (Upper)			
Rear Bunk (Lower)			
Overcab bed	190cm x 134cm / 6'3" x 4'5"		

**NOTE: 1. The Maximum User Payload** includes:

- the **conventional load** (this is the allowance for passengers)
- essential habitation equipment** (items and fluids required for safe and proper functioning of habitation equipment)
- optional equipment** (items available from the manufacturer over and above the standard specification)
- personal effects** (those items not covered by the above)

- The **Mass in Running Order** is the mass of the unladen vehicle including a 75kg allowance for the driver plus engine coolants and 90% of the fuel tank and 1 x 6kg Calor Lite cylinder.
- The MRO is calculated with the fresh water tank empty. If you travel with water in the fresh water tank then the payload will reduce accordingly.
- PLEASE TAKE CARE TO ENSURE THAT YOU HAVE ALLOWED FOR THE MASSES OF ALL ITEMS YOU INTEND TO CARRY IN THE MOTOR CARAVAN, e.g. passengers, optional equipment, essential habitation equipment and personal effects, such as clothing, food, pets, bicycles, sailboards, s equipment etc.

**5. WARNING - UNDER NO CIRCUMSTANCES SHOULD THE MAXIMUM TECHNICAL PERMISSIBLE LADEN MASS OF THIS MOTOR CARAVAN BE EXCEEDED.**

Est = Estimated

# Edge Specifications

Model	Edge 486 Standard		Edge 486 Optional
Roof Profile	High Line		
Engine	120 MJT / 140 MJT		140 MJT Auto
Engine Capacity	2.2ltr		
Max Power	120 hp @ 3500 rpm / 140 HP @ 3500rpm		140 HP @ 3500rpm
Torque	320 Nm @ 1400 rpm / 350 Nm @ 1400rpm		380 Nm @ 1400rpm
Chassis	LWB Fiat Chassis		
Wheel base	4.04m / 13' 3"		
Designated Passenger Seats (excluding Driver)	5		
Berths (sleeping positions)	6		
Overall Length (no ladder)	7.32m / 24'0"		
Overall Width (mirrors folded)	2.39m / 7'10"		
Overall Height	2.98m / 9'9"		
Maximum Technical Permissible Laden Mass (A)	3500kg	3650kg	3650kg
Mass in Running Order (B)	2991kg	2991kg	3024kg
Maximum User Payload (A-B)	509kg	659kg	626kg
Unladen Weight	2861kg	2861kg	2894kg
Essential Habitation Equipment	0kg		
Thermal Insulation Grade	THREE		
<b>Bed Sizes</b>			
Front Double	215cm x 180cm / 121cm / 7'1" x 5'11" / 4'0"		
Rear Double	214cm x 131cm / 7'0" x 4'4"		
Rear Nearside Single			
Rear Offside Single			
Rear Bunk (Upper)			
Rear Bunk (Lower)			
Overcab bed	190cm x 134cm / 6'3" x 4'5"		

**NOTE: 1. The Maximum User Payload** includes:

- the **conventional load** (this is the allowance for passengers)
- essential habitation equipment** (items and fluids required for safe and proper functioning of habitation equipment)
- optional equipment** (items available from the manufacturer over and above the standard specification)
- personal effects** (those items not covered by the above)

2. The **Mass in Running Order** is the mass of the unladen vehicle including a 75kg allowance for the driver plus engine coolants and 90% of the fuel tank and 1 x 6kg Calor Lite cylinder.

3. The MRO is calculated with the fresh water tank empty. If you travel with water in the fresh water tank then the payload will reduce accordingly.

4. PLEASE TAKE CARE TO ENSURE THAT YOU HAVE ALLOWED FOR THE MASSES OF ALL ITEMS YOU INTEND TO CARRY IN THE MOTOR CARAVAN, e.g. passengers, optional equipment, essential habitation equipment and personal effects, such as clothing, food, pets, bicycles, sailboards, s equipment etc.

5. **WARNING** - UNDER NO CIRCUMSTANCES SHOULD THE MAXIMUM TECHNICAL PERMISSIBLE LADEN MASS OF THIS MOTOR CARAVAN BE EXCEEDED.

Est = Estimated

# Edge Specifications

Model	Edge 494 Standard		Edge 494 Optional	
Roof Profile	High Line			
Engine	120 MJT / 140 MJT		140 MJT Auto	
Engine Capacity	2.2ltr			
Max Power	120 hp @ 3500 rpm / 140 HP @ 3500rpm		140 HP @ 3500rpm	
Torque	320 Nm @ 1400 rpm / 350 Nm @ 1400rpm		380 Nm @ 1400rpm	
Chassis	LWB Fiat Chassis			
Wheel base	4.04m / 13'3"			
Designated Passenger Seats (excluding Driver)	3			
Berths (sleeping positions)	4			
Overall Length (no ladder)	7.32m / 24'0"			
Overall Width (mirrors folded)	2.39m / 7'10"			
Overall Height	2.98m / 9'9"			
Maximum Technical Permissible Laden Mass (A)	3500kg	3650kg	3500kg	3650kg
Mass in Running Order (B)	2975kg	2975kg	3008kg	3008kg
Maximum User Payload (A-B)	525kg	675kg	492kg	642kg
Unladen Weight	2845kg	2845kg	2878kg	2878kg
Essential Habitation Equipment	0kg			
Thermal Insulation Grade	THREE			
<b>Bed Sizes</b>				
Front Double				
Rear Double	185cm x 133cm / 6'1" x 4'4"			
Rear Nearside Single				
Rear Offside Single				
Rear Bunk (Upper)				
Rear Bunk (Lower)				
Overcab bed	190cm x 134cm / 6'3" x 4'5"			

**NOTE: 1. The Maximum User Payload** includes:

- the **conventional load** (this is the allowance for passengers)
- essential habitation equipment** (items and fluids required for safe and proper functioning of habitation equipment)
- optional equipment** (items available from the manufacturer over and above the standard specification)
- personal effects** (those items not covered by the above)

2. The **Mass in Running Order** is the mass of the unladen vehicle including a 75kg allowance for the driver plus engine coolants and 90% of the fuel tank and 1 x 6kg Calor Lite cylinder.

- The MRO is calculated with the fresh water tank empty. If you travel with water in the fresh water tank then the payload will reduce accordingly.
- PLEASE TAKE CARE TO ENSURE THAT YOU HAVE ALLOWED FOR THE MASSES OF ALL ITEMS YOU INTEND TO CARRY IN THE MOTOR CARAVAN, e.g. passengers, optional equipment, essential habitation equipment and personal effects, such as clothing, food, pets, bicycles, sailboards, s equipment etc.

5. **WARNING - UNDER NO CIRCUMSTANCES SHOULD THE MAXIMUM TECHNICAL PERMISSIBLE LADEN MASS OF THIS MOTOR CARAVAN BE EXCEEDED.**

Est = Estimated



# Edge Capacities

## Water Tank Capacities

	<b>Fresh Water Tank</b>	<b>Waste Water Tank</b>	<b>Water Heater</b>
Edge	100 litre	68 litre	10 litre

## LPG Locker Capacity

	<b>Capacity</b>
Edge	1 x 6kg + 1 x 13kg

**NOTICE: For technical data on the base vehicle please refer to the manufacturer's handbook**

# Edge Towing Capabilities

## Edge Towing Capabilities

Model	MTPLM	Permissible Front Axle Load	Permissible Rear Axle Load	Recommended Maximum Trailer Weight	Gross Train Weight
EDGE 464	3500kg	1850kg / 1960kg Auto	2000kg	2000kg	5500kg
EDGE 464	3650kg	1850kg / 1960kg Auto	2000kg	2000kg	5650kg
EDGE 466	3500kg	1850kg / 1960kg Auto	2000kg	N/a	3500kg
EDGE 466	3650kg	1850kg / 1960kg Auto	2000kg	2000kg	5650kg
EDGE 476	3500kg	1850kg / 1960kg Auto	2000kg	N/a	3500kg
EDGE 476	3650kg	1850kg / 1960kg Auto	2000kg	2000kg	5650kg
EDGE 486	3500kg	1850kg / 1960kg Auto	2000kg	N/A	3500kg
EDGE 486	3650kg	1850kg / 1960kg Auto	2000kg	2000kg	5650kg
EDGE 494	3500kg	1850kg / 1960kg Auto	2000kg	2000kg	5500kg
EDGE 494	3650kg	1850kg / 1960kg Auto	2000kg	2000kg	5650kg

Please note that the additional weight of the tow bar and trailer nose weight increases the rear axle loading of the motor home so care should be taken that the rear axle load is not exceeded when towing.

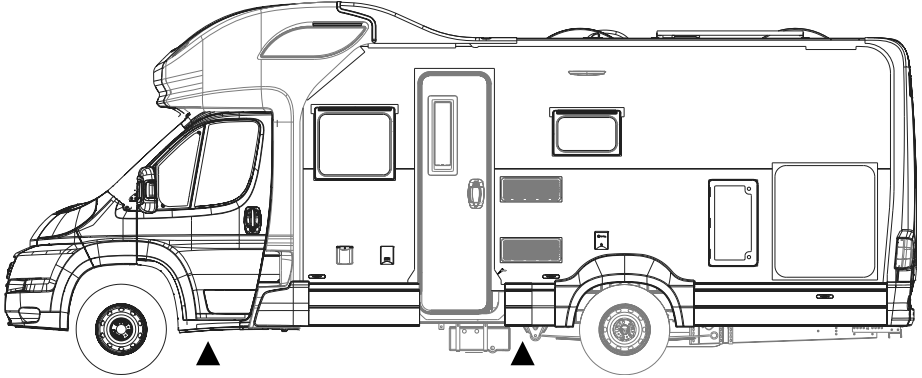
To ensure adequate road holding, the load on the front axle, under all conditions, must not be less than 40% or more than 70% of the total weight.

Care must be taken when distributing loads. The loadings and weights above are maximums and must not be exceeded under any circumstances.

**CAUTION:** When fitting a towbar, it must meet certain minimum requirements as specified by Type Approval Regulations. The bar will have marked on it the approval standard (94/20/EC or 55R ECE) and the maximum download, or noseweight, that it can accept. It must fit the manufacturer's approved mounting points and must not obscure the towing vehicle's number plate.

# Edge Jacking

## SWIFT EDGE



Jacking Points for: Edge 464, 466, 476, 486, & 494:



# Select Compact Specifications

Model	Select Compact C404 Standard	Select Compact C404 Optional	Select Compact C404 Optional
Roof Profile	Low Line		
Engine	120 MJT	140 MJT	140 MJT Auto
Engine Capacity	2.2ltr		
Max Power	120 HP @ 3500rpm	140 HP @ 3500rpm	140 HP @ 3500rpm
Torque	320 Nm @ 1400rpm	350 Nm @ 1400rpm	380 Nm @ 1400rpm
Chassis	MLWB Fiat Chassis		
Wheel base	3.80m / 12'6"		
Designated Passenger Seats (excluding Driver)	3		
Berths (sleeping positions)	4		
Overall Length (no ladder)	5.99m / 19'8"		
Overall Width (mirrors folded)	2.26m / 7'5"		
Overall Height	2.78m / 9'1"		
Maximum Technical Permissible Laden Mass (A)	3300kg		
Mass in Running Order (B)	2775kg	2775kg	2808kg
Maximum User Payload (A-B)	525kg	525kg	492kg
Unladen Weight	2632kg	2632kg	2665kg
Essential Habitation Equipment	0kg		
Thermal Insulation Grade	THREE		
<b>Bed Sizes</b>			
Rear Double	193cm x 120cm / 6'4" x 3'11"		
Rear Nearside Single			
Rear Offside Single			
Drop Down Bed	183cm x 118cm / 6'1" x 3'10"		

**NOTE: 1. The Maximum User Payload** includes:

- conventional load** (this is the allowance for passengers)
- essential habitation equipment** (items and fluids required for safe and proper functioning of habitation equipment)
- optional equipment** (items available from the manufacturer over and above the standard specification)
- personal effects** (those items not covered by the above)

2. The **Mass in Running Order** is the mass of the unladen vehicle including a 75kg allowance for the driver plus engine coolants and 90% of the fuel tank and 1 x 6kg Calor Lite cylinder.

- The MRO is calculated with the fresh water tank empty. If you travel with water in the fresh water tank then the payload will reduce accordingly.
- PLEASE TAKE CARE TO ENSURE THAT YOU HAVE ALLOWED FOR THE MASSES OF ALL ITEMS YOU INTEND TO CARRY IN THE MOTOR CARAVAN, e.g. passengers, optional equipment, essential habitation equipment and personal effects, such as clothing, food, pets, bicycles, sailboards, s equipment etc.

5. **WARNING** - UNDER NO CIRCUMSTANCES SHOULD THE MAXIMUM TECHNICAL PERMISSIBLE LADEN MASS OF THIS MOTOR CARAVAN BE EXCEEDED.

Est = Estimated

# Select Compact Specifications

Model	Select Compact C500 Standard	Select Compact C500 Optional	Select Compact C500 Optional
Roof Profile	Low Line		
Engine	120 MJT	140 MJT	140 MJT Auto
Engine Capacity	2.2ltr		
Max Power	120 HP @ 3500rpm	140 HP @ 3500rpm	140 HP @ 3500rpm
Torque	320 Nm @ 1400rpm	350 Nm @ 1400rpm	380 Nm @ 1400rpm
Chassis	MLWB Fiat Chassis		
Wheel base	3.80m / 12'6"		
Designated Passenger Seats (excluding Driver)	3		
Berths (sleeping positions)	2		
Overall Length (no ladder)	6.65m / 21'10"		
Overall Width (mirrors folded)	2.26m / 7'5"		
Overall Height	2.78m / 9'1"		
Maximum Technical Permissible Laden Mass (A)	3300kg		
Mass in Running Order (B)	2797kg Est	2797kg Est	2830kg Est
Maximum User Payload (A-B)	503kg Est	503kg Est	470kg Est
Unladen Weight	2654kg Est	2654kg Est	2687kg Est
Essential Habitation Equipment	0kg		
Thermal Insulation Grade	THREE		
<b>Bed Sizes</b>			
Rear Double	192cm x 183cm / 6'4" x 6'0"		
Rear Nearside Single	196cm x 68cm / 6'5" x 2'3"		
Rear Offside Single	183cm x 68cm / 6'0" x 2'3"		
Drop Down Bed			

**NOTE:** 1. The **Maximum User Payload** includes:

- the **conventional load** (this is the allowance for passengers)
- essential habitation equipment** (items and fluids required for safe and proper functioning of habitation equipment)
- optional equipment** (items available from the manufacturer over and above the standard specification)
- personal effects** (those items not covered by the above)

2. The **Mass in Running Order** is the mass of the unladen vehicle including a 75kg allowance for the driver plus engine coolants and 90% of the fuel tank and 1 x 6kg Calor Lite cylinder.

- The MRO is calculated with the fresh water tank empty. If you travel with water in the fresh water tank then the payload will reduce accordingly.
- PLEASE TAKE CARE TO ENSURE THAT YOU HAVE ALLOWED FOR THE MASSES OF ALL ITEMS YOU INTEND TO CARRY IN THE MOTOR CARAVAN, e.g. passengers, optional equipment, essential habitation equipment and personal effects, such as clothing, food, pets, bicycles, sailboards, s equipment etc.

5. **WARNING** - UNDER NO CIRCUMSTANCES SHOULD THE MAXIMUM TECHNICAL PERMISSIBLE LADEN MASS OF THIS MOTOR CARAVAN BE EXCEEDED.

Est = Estimated

# Select Compact Specifications

Model	Select Compact C502 Standard	Select Compact C502 Optional	Select Compact C502 Optional
Roof Profile	Low Line		
Engine	120 MJT	140 MJT	140 MJT Auto
Engine Capacity	2.2ltr		
Max Power	120 HP @ 3500rpm	140 HP @ 3500rpm	140 HP @ 3500rpm
Torque	320 Nm @ 1400rpm	350 Nm @ 1400rpm	380 Nm @ 1400rpm
Chassis	MLWB Fiat Chassis		
Wheel base	3.80m / 12'6"		
Designated Passenger Seats (excluding Driver)	3		
Berths (sleeping positions)	2		
Overall Length (no ladder)	6.65m / 21'10"		
Overall Width (mirrors folded)	2.26m / 7'5"		
Overall Height	2.78m / 9'1"		
Maximum Technical Permissible Laden Mass (A)	3300kg		
Mass in Running Order (B)	2797kg	2797kg	2830kg
Maximum User Payload (A-B)	503kg	503kg	470kg
Unladen Weight	2654kg	2654kg	2687kg
Essential Habitation Equipment	0kg		
Thermal Insulation Grade	THREE		
<b>Bed Sizes</b>			
Rear Double			
Rear Nearside Single	196cm x 74cm / 6'5" x 2'4"		
Rear Offside Single	184cm x 74cm / 6'0" x 2'4"		
Drop Down Ded			

**NOTE: 1. The Maximum User Payload** includes:

- conventional load** (this is the allowance for passengers)
- essential habitation equipment** (items and fluids required for safe and proper functioning of habitation equipment)
- optional equipment** (items available from the manufacturer over and above the standard specification)
- personal effects** (those items not covered by the above)

2. The **Mass in Running Order** is the mass of the unladen vehicle including a 75kg allowance for the driver plus engine coolants and 90% of the fuel tank and 1 x 6kg Calor Lite cylinder.

3. The MRO is calculated with the fresh water tank empty. If you travel with water in the fresh water tank then the payload will reduce accordingly.

4. PLEASE TAKE CARE TO ENSURE THAT YOU HAVE ALLOWED FOR THE MASSES OF ALL ITEMS YOU INTEND TO CARRY IN THE MOTOR CARAVAN, e.g. passengers, optional equipment, essential habitation equipment and personal effects, such as clothing, food, pets, bicycles, sailboards, s equipment etc.

5. **WARNING** - UNDER NO CIRCUMSTANCES SHOULD THE MAXIMUM TECHNICAL PERMISSIBLE LADEN MASS OF THIS MOTOR CARAVAN BE EXCEEDED.

Est = Estimated

# Escape Specifications

Model	Escape 640 Standard	Escape 640 Optional	Escape 640 Optional	Escape 640 Optional
Roof Profile	Low Line Pod			
Engine	140 MJT	140 MJT Auto	160 MJT	160 MJT Auto
Engine Capacity	2.2ltr			
Max Power	140 Hp @ 3500 rpm		160hp @ 3500rpm	
Torque	350 Nm @ 1400rpm	380 Nm @ 1400rpm	380 Nm @ 1500rpm	400 Nm @ 1500rpm
Chassis	Fiat / AL-KO Chassis			
Wheel base	4.20m / 13' 9"			
Designated Passenger Seats (excluding Driver)	3			
Berths (sleeping positions)	4			
Overall Length (no ladder)	6.99m / 22'11"			
Overall Width (mirrors folded)	2.37m / 7'9"			
Overall Height	2.86m / 9'5"			
Maximum Technical Permissible Laden Mass (A)	3500kg			
Mass in Running Order (B)	3061kg	3094kg	3076kg	3094kg
Maximum User Payload (A-B)	439kg	406kg	424kg	406kg
Unladen Weight	2930kg	2963kg	2945kg	2963kg
Essential Habitation Equipment	0kg			
Thermal Insulation Grade	THREE			
<b>Bed Sizes</b>				
Front Double	194cm x 165cm / 136cm / 6'4" x 5'10" / 4'6"			
Rear Double				
Rear Nearside Single				
Rear Offside Single				
Drop Down Bed	189cm x 150cm / 6'2" x 4'11"			

**NOTE:** 1. The **Maximum User Payload** includes:

- the **conventional load** (this is the allowance for passengers)
- essential habitation equipment** (items and fluids required for safe and proper functioning of habitation equipment)
- optional equipment** (items available from the manufacturer over and above the standard specification)
- personal effects** (those items not covered by the above)

- The **Mass in Running Order** is the mass of the unladen vehicle including a 75kg allowance for the driver plus engine coolants and 90% of the fuel tank and 1 x 6kg Calor Lite cylinder.
- The MRO is calculated with the fresh water tank empty. If you travel with water in the fresh water tank then the payload will reduce accordingly.
- PLEASE TAKE CARE TO ENSURE THAT YOU HAVE ALLOWED FOR THE MASSES OF ALL ITEMS YOU INTEND TO CARRY IN THE MOTOR CARAVAN, e.g. passengers, optional equipment, essential habitation equipment and personal effects, such as clothing, food, pets, bicycles, sailboards, s equipment etc.

- WARNING** - UNDER NO CIRCUMSTANCES SHOULD THE MAXIMUM TECHNICAL PERMISSIBLE LADEN MASS OF THIS MOTOR CARAVAN BE EXCEEDED.

Est = Estimated



# Escape Specifications

Model	Escape 664 Standard	Escape 664 Optional	Escape 664 Optional	Escape 664 Optional
Roof Profile	Low Line Pod			
Engine	140 MJT	140 MJT Auto	160 MJT	160 MJT Auto
Engine Capacity	2.2ltr			
Max Power	140 Hp @ 3500 rpm		160hp @ 3500rpm	
Torque	350 Nm @ 1400rpm	380 Nm @ 1400rpm	380 Nm @ 1500rpm	400 Nm @ 1500rpm
Chassis	Fiat / AL-KO Chassis			
Wheel base	4.30m / 14'1"			
Designated Passenger Seats (excluding Driver)	3			
Berths (sleeping positions)	4			
Overall Length (no ladder)	7.84m / 25'9"			
Overall Width (mirrors folded)	2.37m / 7'9"			
Overall Height	2.88m / 9'5" Est			
Maximum Technical Permissible Laden Mass (A)	3500kg			
Mass in Running Order (B)	3111kg Est	3144kg Est	3126kg Est	3144kg Est
Maximum User Payload (A-B)	389kg Est	356kg Est	374kg Est	356kg Est
Unladen Weight	2980kg Est	3013kg Est	2995kg Est	3013kg Est
Essential Habitation Equipment	0kg			
Thermal Insulation Grade	THREE			
<b>Bed Sizes</b>				
Front Double	194cm x 133cm / 6'4" x 4'4" / 3'6"			
Rear Double	188cm x 129cm / 6'2" x 4'3"			
Rear Nearside Single				
Rear Offside Single				
Drop Down Bed				

**NOTE: 1. The Maximum User Payload** includes:

- conventional load** (this is the allowance for passengers)
- essential habitation equipment** (items and fluids required for safe and proper functioning of habitation equipment)
- optional equipment** (items available from the manufacturer over and above the standard specification)
- personal effects** (those items not covered by the above)

2. The **Mass in Running Order** is the mass of the unladen vehicle including a 75kg allowance for the driver plus engine coolants and 90% of the fuel tank and 1 x 6kg Calor Lite cylinder.

- The MRO is calculated with the fresh water tank empty. If you travel with water in the fresh water tank then the payload will reduce accordingly.
- PLEASE TAKE CARE TO ENSURE THAT YOU HAVE ALLOWED FOR THE MASSES OF ALL ITEMS YOU INTEND TO CARRY IN THE MOTOR CARAVAN, e.g. passengers, optional equipment, essential habitation equipment and personal effects, such as clothing, food, pets, bicycles, sailboards, s equipment etc.

5. **WARNING** - UNDER NO CIRCUMSTANCES SHOULD THE MAXIMUM TECHNICAL PERMISSIBLE LADEN MASS OF THIS MOTOR CARAVAN BE EXCEEDED.

Est = Estimated

# Escape Specifications

Model	Escape 674 Standard	Escape 674 Optional	Escape 674 Optional	Escape 674 Optional
Roof Profile	Low Line Pod			
Engine	140 MJT	140 MJT Auto	160 MJT	160 MJT Auto
Engine Capacity	2.2ltr			
Max Power	140 Hp @ 3500 rpm		160hp @ 3500rpm	
Torque	350 Nm @ 1400rpm	380 Nm @ 1400rpm	380 Nm @ 1500rpm	400 Nm @ 1500rpm
Chassis	Fiat / AL-KO Chassis			
Wheel base	4.70m / 15'5"			
Designated Passenger Seats (excluding Driver)	4			
Berths (sleeping positions)	6			
Overall Length (no ladder)	8.22m / 27'0"			
Overall Width (mirrors folded)	2.37m / 7'9"			
Overall Height	2.86m / 9'5"			
Maximum Technical Permissible Laden Mass (A)	4500kg			
Mass in Running Order (B)	3251kg Est	3284kg Est	3266kg Est	3284kg Est
Maximum User Payload (A-B)	1249kg Est	1216kg Est	1234kg Est	1216kg Est
Unladen Weight	3108kg Est	3141kg Est	3123kg Est	3141kg Est
Essential Habitation Equipment	0kg			
Thermal Insulation Grade	THREE			
<b>Bed Sizes</b>				
Front Double	194cm x 136cm / 6'4" x 4'6"			
Rear Double	202cm x 132cm / 6'8" x 4'4"			
Rear Nearside Single				
Rear Offside Single				
Drop Down Bed	189cm x 150cm / 6'2" x 4'11"			

**NOTE:** 1. The **Maximum User Payload** includes:

- the **conventional load** (this is the allowance for passengers)
- essential habitation equipment** (items and fluids required for safe and proper functioning of habitation equipment)
- optional equipment** (items available from the manufacturer over and above the standard specification)
- personal effects** (those items not covered by the above)

- The **Mass in Running Order** is the mass of the unladen vehicle including a 75kg allowance for the driver plus engine coolants and 90% of the fuel tank and 1 x 6kg Calor Lite cylinder.
- The MRO is calculated with the fresh water tank empty. If you travel with water in the fresh water tank then the payload will reduce accordingly.
- PLEASE TAKE CARE TO ENSURE THAT YOU HAVE ALLOWED FOR THE MASSES OF ALL ITEMS YOU INTEND TO CARRY IN THE MOTOR CARAVAN, e.g. passengers, optional equipment, essential habitation equipment and personal effects, such as clothing, food, pets, bicycles, sailboards, s equipment etc.

5. **WARNING** - UNDER NO CIRCUMSTANCES SHOULD THE MAXIMUM TECHNICAL PERMISSIBLE LADEN MASS OF THIS MOTOR CARAVAN BE EXCEEDED.

Est = Estimated

# Escape Specifications

Model	Escape 684 Standard	Escape 684 Optional	Escape 684 Optional	Escape 684 Optional
Roof Profile	Low Line Pod			
Engine	140 MJT	140 MJT Auto	160 MJT	160 MJT Auto
Engine Capacity	2.2ltr			
Max Power	140 Hp @ 3500 rpm		160hp @ 3500rpm	
Torque	350 Nm @ 1400rpm	380 Nm @ 1400rpm	380 Nm @ 1500rpm	400 Nm @ 1500rpm
Chassis	Fiat / AL-KO Chassis			
Wheel base	4.70m / 15'5"			
Designated Passenger Seats (excluding Driver)	3			
Berths (sleeping positions)	4			
Overall Length (no ladder)	7.84m / 25'9"			
Overall Width (mirrors folded)	2.37m / 7'9"			
Overall Height	2.88m / 9'5" Est			
Maximum Technical Permissible Laden Mass (A)	3500kg	3700kg	3500kg	3700kg
Mass in Running Order (B)	3131kg Est	3164kg Est	3146kg Est	3164kg Est
Maximum User Payload (A-B)	369kg Est	536kg Est	354kg Est	536kg Est
Unladen Weight	3000kg Est	3033kg Est	3015kg Est	3033kg Est
Essential Habitation Equipment	0kg			
Thermal Insulation Grade	THREE			
<b>Bed Sizes</b>				
Front Double	194cm x 133cm / 106cm / 6'4" x 4'4" / 3'6"			
Rear Double	206cm x 115cm / 6'9" x 3'9"			
Rear Nearside Single	195cm x 78cm / 6'5" x 2'7"			
Rear Offside Single	195cm x 78cm / 6'5" x 2'7"			
Drop Down Bed				

**NOTE: 1. The Maximum User Payload** includes:

- conventional load** (this is the allowance for passengers)
- essential habitation equipment** (items and fluids required for safe and proper functioning of habitation equipment)
- optional equipment** (items available from the manufacturer over and above the standard specification)
- personal effects** (those items not covered by the above)

2. The **Mass in Running Order** is the mass of the unladen vehicle including a 75kg allowance for the driver plus engine coolants and 90% of the fuel tank and 1 x 6kg Calor Lite cylinder.

- The MRO is calculated with the fresh water tank empty. If you travel with water in the fresh water tank then the payload will reduce accordingly.
- PLEASE TAKE CARE TO ENSURE THAT YOU HAVE ALLOWED FOR THE MASSES OF ALL ITEMS YOU INTEND TO CARRY IN THE MOTOR CARAVAN, e.g. passengers, optional equipment, essential habitation equipment and personal effects, such as clothing, food, pets, bicycles, sailboards, s equipment etc.

5. **WARNING** - UNDER NO CIRCUMSTANCES SHOULD THE MAXIMUM TECHNICAL PERMISSIBLE LADEN MASS OF THIS MOTOR CARAVAN BE EXCEEDED.

Est = Estimated

# Escape Specifications

Model	Escape 694 Standard	Escape 694 Optional	Escape 694 Optional	Escape 694 Optional
Roof Profile	Low Line Pod			
Engine	140 MJT	140 MJT Auto	160 MJT	160 MJT Auto
Engine Capacity	2.2ltr			
Max Power	140 Hp @ 3500 rpm		160hp @ 3500rpm	
Torque	350 Nm @ 1400rpm	380 Nm @ 1400rpm	380 Nm @ 1500rpm	400 Nm @ 1500rpm
Chassis	Fiat / AL-KO Chassis			
Wheel base	4.70m / 15'5"			
Designated Passenger Seats (excluding Driver)	3			
Berths (sleeping positions)	4			
Overall Length (no ladder)	7.84m / 25'9"			
Overall Width (mirrors folded)	2.37m / 7'9"			
Overall Height	2.88m / 9'5"			
Maximum Technical Permissible Laden Mass (A)	3500kg	3700kg	3500kg	3700kg
Mass in Running Order (B)	3131kg Est	3164kg Est	3146kg Est	3164kg Est
Maximum User Payload (A-B)	369kg Est	536kg Est	354kg Est	536kg Est
Unladen Weight	3000kg Est	3033kg Est	3015kg Est	3033kg Est
Essential Habitation Equipment	0kg			
Thermal Insulation Grade	THREE			
<b>Bed Sizes</b>				
Front Double	194cm x 133cm / 6'4" x 4'4" / 3'6"			
Rear Double	180cm x 143cm / 5'11" x 4'8"			
Rear Nearside Single				
Rear Offside Single				
Drop Down Bed				

**NOTE:** 1. **The Maximum User Payload** includes:

- the **conventional load** (this is the allowance for passengers)
- essential habitation equipment** (items and fluids required for safe and proper functioning of habitation equipment)
- optional equipment** (items available from the manufacturer over and above the standard specification)
- personal effects** (those items not covered by the above)

2. The **Mass in Running Order** is the mass of the unladen vehicle including a 75kg allowance for the driver plus engine coolants and 90% of the fuel tank and 1 x 6kg Calor Lite cylinder.

- The MRO is calculated with the fresh water tank empty. If you travel with water in the fresh water tank then the payload will reduce accordingly.
- PLEASE TAKE CARE TO ENSURE THAT YOU HAVE ALLOWED FOR THE MASSES OF ALL ITEMS YOU INTEND TO CARRY IN THE MOTOR CARAVAN, e.g. passengers, optional equipment, essential habitation equipment and personal effects, such as clothing, food, pets, bicycles, sailboards, s equipment etc.

5. **WARNING** - UNDER NO CIRCUMSTANCES SHOULD THE MAXIMUM TECHNICAL PERMISSIBLE LADEN MASS OF THIS MOTOR CARAVAN BE EXCEEDED.

Est = Estimated

# Select Compact & Escape Capacities

## Water Tank Capacities

	<b>Fresh Water Tank</b>	<b>Waste Water Tank</b>	<b>Water Heater</b>
Select Compact	100 litre	50 litre	10 litre
Escape	90 litre	68 litre	10 litre

## LPG Locker Capacity

	<b>Capacity</b>
Select Compact	2 x 6kg
Escape	1 x 6kg + 1 x 13kg

**NOTICE: For technical data on the base vehicle please refer to the manufacturer's handbook**

# Select Compact & Escape Towing Capabilities

## Escape Towing Capabilities

Model	MTPLM	Permissible Front Axle Load	Permissible Rear Axle Load	Recommended Maximum Trailer Weight	Gross Train Weight
Select Compact C205	3300kg	1750kg / 1840kg Auto	1900kg	2000kg	5800kg
Select Compact C404	3300kg	1750kg / 1840kg Auto	1900kg	2000kg	5800kg
Select Compact C500	3300kg	1750kg / 1840kg Auto	1900kg	2000kg	5800kg
Select Compact C502	3300kg	1750kg / 1840kg Auto	1900kg	2000kg	5800kg
Escape 640	3500kg	1850kg / 1960kg Auto	2000kg	2000kg	5500kg
Escape 640	3700kg	1850kg / 1960kg Auto	2000kg	2000kg	5500kg
Escape 664	3500kg	1850kg / 1960kg Auto	2000kg	2000kg	5500kg
Escape 664	3700kg	1850kg / 1960kg Auto	2000kg	2000kg#	5500kg#
Escape 674	4500kg	2100kg	2500kg	2000kg#	6000kg#
Escape 684	3500kg	1850kg / 1960kg Auto	2000kg	2000kg	5500kg
Escape 684	3700kg	1850kg / 1960kg Auto	2000kg	2000kg#	5500kg#
Escape 694	3500kg	1850kg / 1960kg Auto	2000kg	2000kg	5500kg
Escape 694	3700kg	1850kg / 1960kg Auto	2000kg	2000kg#	5500kg#

Please note that the additional weight of the tow bar and trailer nose weight increases the rear axle loading of the motor home so care should be taken that the rear axle load is not exceeded when towing.

To ensure adequate road holding, the load on the front axle, under all conditions, must not be less than 40% or more than 70% of the total weight.

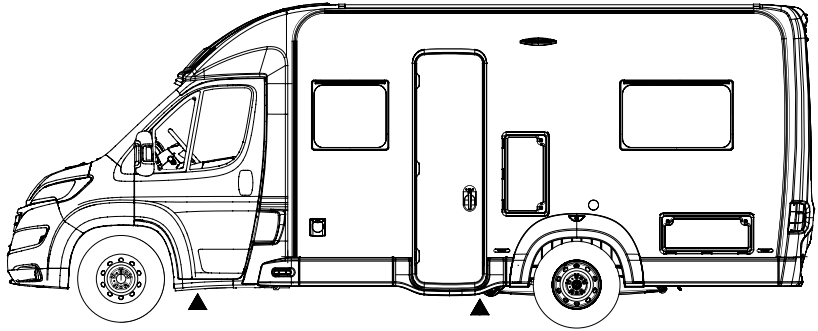
Care must be taken when distributing loads. The loadings and weights above are maximums and must not be exceeded under any circumstances.

\* With this vehicle configuration it will be necessary to reduce the payload carried inside the van when towing to ensure that the MTPLM and Maximum Axle Loads are not exceeded.

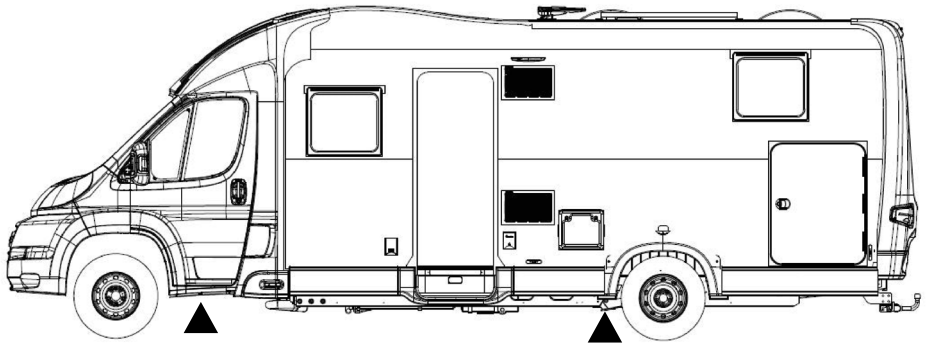
# The Maximum Trailer Weight is limited by the Gross Train Weight which must not be exceeded. For example if the vehicle is at its maximum MTPLM of 3650kg, then the Maximum Trailer Weight possible is 1850kg. Reducing the weight of the vehicle by removing payload, will allow you to increase the trailer weight up to a maximum of 2000kg.

**CAUTION:** When fitting a towbar, it must meet certain minimum requirements as specified by Type Approval Regulations. The bar will have marked on it the approval standard (94/20/EC or 55R ECE) and the maximum download, or noseweight, that it can accept. It must fit the manufacturer's approved mounting points and must not obscure the towing vehicle's number plate.

## Select Compact & Escape Jacking



Jacking Points for: Select Compact C205, C404, C500 & C502



Jacking Points for: Escape 640, 664, 674, 684 & 694

# Kon-Tiki Specifications

Model	Kon-Tiki 764 Standard	Kon-Tiki 764 Optional	Kon-Tiki 764 Optional	Kon-Tiki 764 Optional
Roof Profile	Low Line Pod			
Engine	160 MJT	160 MJT Auto	180 MJT	180 MJT Auto
Engine Capacity	2.2ltr			
Max Power	160 HP @ 3500rpm		180 HP @ 3500rpm	
Torque	380 Nm @ 1500rpm	400 Nm @ 1500rpm	380 Nm @ 1500rpm	450 Nm @ 1500rpm
Chassis	Fiat / AL-KO Chassis			
Wheel base	4.30m / 14'1"			
Designated Passenger Seats (excluding Driver)	3			
Berths (sleeping positions)	4			
Overall Length (no ladder)	7.84m / 25'9"			
Overall Width (mirrors folded)	2.38m / 7'10"			
Overall Height	2.89m / 9'6"			
Maximum Technical Permissible Laden Mass (A)	4500kg			
Mass in Running Order (B)	3397kg Est	3415kg Est	3397kg Est	3415kg Est
Maximum User Payload (A-B)	1103kg	1085kg	1103kg	1085kg
Unladen Weight	3232kg Est	3250kg Est	3232kg Est	3250kg Est
Essential Habitation Equipment	0kg			
Thermal Insulation Grade	THREE			
<b>Bed Sizes</b>				
Front Double	194cm x 133cm / 6'4" x 4'4" / 3'6"			
Rear Double	188cm x 129cm / 6'2" x 4'3"			
Rear Nearside Single				
Rear Offside Single				
Drop Down Bed				

**NOTE:** 1. The **Maximum User Payload** includes:

- the **conventional load** (this is the allowance for passengers)
- essential habitation equipment** (items and fluids required for safe and proper functioning of habitation equipment)
- optional equipment** (items available from the manufacturer over and above the standard specification)
- personal effects** (those items not covered by the above)

2. The **Mass in Running Order** is the mass of the unladen vehicle including a 75kg allowance for the driver plus engine coolants and 90% of the fuel tank and 1 x 6kg Calor Lite cylinder.

- The MRO is calculated with the fresh water tank empty. If you travel with water in the fresh water tank then the payload will reduce accordingly.
- PLEASE TAKE CARE TO ENSURE THAT YOU HAVE ALLOWED FOR THE MASSES OF ALL ITEMS YOU INTEND TO CARRY IN THE MOTOR CARAVAN, e.g. passengers, optional equipment, essential habitation equipment and personal effects, such as clothing, food, pets, bicycles, sailboards, s equipment etc.

5. **WARNING** - UNDER NO CIRCUMSTANCES SHOULD THE MAXIMUM TECHNICAL PERMISSIBLE LADEN MASS OF THIS MOTOR CARAVAN BE EXCEEDED.

Est = Estimated



# Kon-Tiki Specifications

Model	Kon-Tiki 774 Standard	Kon-Tiki 774 Optional	Kon-Tiki 774 Optional	Kon-Tiki 774 Optional
Roof Profile	Low Line Pod			
Engine	160 MJT	160 MJT Auto	180 MJT	180 MJT Auto
Engine Capacity	2.2ltr			
Max Power	160 HP @ 3500rpm		180 HP @ 3500rpm	
Torque	380 Nm @ 1500rpm	400 Nm @ 1500rpm	380 Nm @ 1500rpm	450 Nm @ 1500rpm
Chassis	Fiat / AL-KO Chassis			
Wheel base	4.70m / 15'5"			
Designated Passenger Seats (excluding Driver)	4			
Berths (sleeping positions)	6			
Overall Length (no ladder)	8.22m / 27'0"			
Overall Width (mirrors folded)	2.38m / 7'10"			
Overall Height	2.87m / 9'5"			
Maximum Technical Permissible Laden Mass (A)	4500kg			
Mass in Running Order (B)	3617kg Est	3635kg Est	3617kg Est	3635kg Est
Maximum User Payload (A-B)	883kg	865kg	883kg	865kg
Unladen Weight	3452kg Est	3470kg Est	3452kg Est	3470kg Est
Essential Habitation Equipment	0kg			
Thermal Insulation Grade	THREE			
<b>Bed Sizes</b>				
Front Double	194cm x 136cm / 6'4" x 4'6"			
Rear Double	203cm x 132cm / 6'8" x 4'4"			
Rear Nearside Single				
Rear Offside Single				
Drop Down Bed	189cm x 150cm / 6'2" x 4'11"			

**NOTE: 1. The Maximum User Payload** includes:

- conventional load** (this is the allowance for passengers)
- essential habitation equipment** (items and fluids required for safe and proper functioning of habitation equipment)
- optional equipment** (items available from the manufacturer over and above the standard specification)
- personal effects** (those items not covered by the above)

2. The **Mass in Running Order** is the mass of the unladen vehicle including a 75kg allowance for the driver plus engine coolants and 90% of the fuel tank and 1 x 6kg Calor Lite cylinder.

- The MRO is calculated with the fresh water tank empty. If you travel with water in the fresh water tank then the payload will reduce accordingly.
- PLEASE TAKE CARE TO ENSURE THAT YOU HAVE ALLOWED FOR THE MASSES OF ALL ITEMS YOU INTEND TO CARRY IN THE MOTOR CARAVAN, e.g. passengers, optional equipment, essential habitation equipment and personal effects, such as clothing, food, pets, bicycles, sailboards, s equipment etc.

5. **WARNING** - UNDER NO CIRCUMSTANCES SHOULD THE MAXIMUM TECHNICAL PERMISSIBLE LADEN MASS OF THIS MOTOR CARAVAN BE EXCEEDED.

Est = Estimated

# Kon-Tiki Specifications

Model	Kon-Tiki 784 Standard	Kon-Tiki 784 Optional	Kon-Tiki 784 Optional	Kon-Tiki 784 Optional
Roof Profile	Low Line Pod			
Engine	160 MJT	160 MJT Auto	180 MJT	180 MJT Auto
Engine Capacity	2.2ltr			
Max Power	160 HP @ 3500rpm		180 HP @ 3500rpm	
Torque	380 Nm @ 1500rpm	400 Nm @ 1500rpm	380 Nm @ 1500rpm	450 Nm @ 1500rpm
Chassis	Fiat / AL-KO Chassis			
Wheel base	4.70m / 15'5"			
Designated Passenger Seats (excluding Driver)	3			
Berths (sleeping positions)	4			
Overall Length (no ladder)	7.84m / 25'9"			
Overall Width (mirrors folded)	2.38m / 7'10"			
Overall Height	2.89m / 9'6"			
Maximum Technical Permissible Laden Mass (A)	4500kg			
Mass in Running Order (B)	3440 Est	3458kg Est	3440 Est	3458kg Est
Maximum User Payload (A-B)	1060kg	1042kg	1060kg	1042kg
Unladen Weight	3275kg Est	3293kg Est	3275kg Est	3293kg Est
Essential Habitation Equipment	0kg			
Thermal Insulation Grade	THREE			
<b>Bed Sizes</b>				
Front Double	194cm x 133cm / 6'4" x 4'4" / 3'6"			
Rear Double	206cm x 115cm / 6'9" x 3'9"			
Rear Nearside Single	195cm x 78cm / 6'5" x 2'7"			
Rear Offside Single	195cm x 78cm / 6'5" x 2'7"			
Drop Down Bed				

**NOTE:** 1. **The Maximum User Payload** includes:

- the **conventional load** (this is the allowance for passengers)
- essential habitation equipment** (items and fluids required for safe and proper functioning of habitation equipment)
- optional equipment** (items available from the manufacturer over and above the standard specification)
- personal effects** (those items not covered by the above)

2. The **Mass in Running Order** is the mass of the unladen vehicle including a 75kg allowance for the driver plus engine coolants and 90% of the fuel tank and 1 x 6kg Calor Lite cylinder.

- The MRO is calculated with the fresh water tank empty. If you travel with water in the fresh water tank then the payload will reduce accordingly.
- PLEASE TAKE CARE TO ENSURE THAT YOU HAVE ALLOWED FOR THE MASSES OF ALL ITEMS YOU INTEND TO CARRY IN THE MOTOR CARAVAN, e.g. passengers, optional equipment, essential habitation equipment and personal effects, such as clothing, food, pets, bicycles, sailboards, s equipment etc.

5. **WARNING** - UNDER NO CIRCUMSTANCES SHOULD THE MAXIMUM TECHNICAL PERMISSIBLE LADEN MASS OF THIS MOTOR CARAVAN BE EXCEEDED.

Est = Estimated

# Kon-Tiki Specifications

Model	Kon-Tiki 794 Standard	Kon-Tiki 794 Optional	Kon-Tiki 794 Optional	Kon-Tiki 794 Optional
Roof Profile	Low Line Pod			
Engine	160 MJT	160 MJT Auto	180 MJT	180 MJT Auto
Engine Capacity	2.2ltr			
Max Power	160 HP @ 3500rpm		180 HP @ 3500rpm	
Torque	380 Nm @ 1500rpm	400 Nm @ 1500rpm	380 Nm @ 1500rpm	450 Nm @ 1500rpm
Chassis	Fiat / AL-KO Chassis			
Wheel base	4.70m / 15'5"			
Designated Passenger Seats (excluding Driver)	3			
Berths (sleeping positions)	4			
Overall Length (no ladder)	7.84m / 25'9"			
Overall Width (mirrors folded)	2.38m / 7'10"			
Overall Height	2.89m / 9'6"			
Maximum Technical Permissible Laden Mass (A)	4500kg			
Mass in Running Order (B)	3477kg Est	3495kg Est	3477kg Est	3495kg Est
Maximum User Payload (A-B)	1023kg	1005kg	1023kg	1005kg
Unladen Weight	3312kg Est	3330kg Est	3312kg Est	3330kg Est
Essential Habitation Equipment	0kg			
Thermal Insulation Grade	THREE			
Front Double	194cm x 133cm / 6'4" x 4'4" / 3'6"			
Rear Double	180cm x 143cm / 5'11" x 4'8"			
Rear Nearside Single				
Rear Offside Single				
Drop Down Bed				

**NOTE: 1. The Maximum User Payload** includes:

- conventional load** (this is the allowance for passengers)
- essential habitation equipment** (items and fluids required for safe and proper functioning of habitation equipment)
- optional equipment** (items available from the manufacturer over and above the standard specification)
- personal effects** (those items not covered by the above)

2. The **Mass in Running Order** is the mass of the unladen vehicle including a 75kg allowance for the driver plus engine coolants and 90% of the fuel tank and 1 x 6kg Calor Lite cylinder.

- The MRO is calculated with the fresh water tank empty. If you travel with water in the fresh water tank then the payload will reduce accordingly.
- PLEASE TAKE CARE TO ENSURE THAT YOU HAVE ALLOWED FOR THE MASSES OF ALL ITEMS YOU INTEND TO CARRY IN THE MOTOR CARAVAN, e.g. passengers, optional equipment, essential habitation equipment and personal effects, such as clothing, food, pets, bicycles, sailboards, s equipment etc.

5. **WARNING** - UNDER NO CIRCUMSTANCES SHOULD THE MAXIMUM TECHNICAL PERMISSIBLE LADEN MASS OF THIS MOTOR CARAVAN BE EXCEEDED.

Est = Estimated

# Kon-Tiki Specifications

Model	Kon-Tiki 874 Standard	Kon-Tiki 874 Optional	Kon-Tiki 874 Optional	Kon-Tiki 874 Optional
Roof Profile	Low Line Pod			
Engine	160 MJT	160 MJT Auto	180 MJT	180 MJT Auto
Engine Capacity	2.2ltr			
Max Power	160 HP @ 3500rpm		180 HP @ 3500rpm	
Torque	380 Nm @ 1500rpm	400 Nm @ 1500rpm	380 Nm @ 1500rpm	450 Nm @ 1500rpm
Chassis	Fiat / AL-KO Chassis			
Wheel base	4.70m / 0.80m / 15'5" / 2'7"			
Designated Passenger Seats (excluding Driver)	4			
Berths (sleeping positions)	6			
Overall Length (no ladder)	8.96m / 29'5" Est			
Overall Width (mirrors folded)	2.38m / 7'10"			
Overall Height	2.91cm / 9'6" Est			
Maximum Technical Permissible Laden Mass (A)	5000kg			
Mass in Running Order (B)	3942kg Est	3960kg Est	3942kg Est	3960kg Est
Maximum User Payload (A-B)	1058kg	1040kg	1058kg	1040kg
Unladen Weight	3777kg Est	3795kg Est	3777kg Est	3795kg Est
Essential Habitation Equipment	0kg			
Thermal Insulation Grade	THREE			
<b>Bed Sizes</b>				
Front Double	194cm x 150cm / 136cm / 6'4" x 4'11" / 4'6"			
Rear Double	203cm x 183cm / 6'8" x 6'0"			
Rear Nearside Single				
Rear Offside Single				
Drop Down Bed	189cm x 150cm / 6'2" x 4'11"			

**NOTE:** 1. The **Maximum User Payload** includes:

- the **conventional load** (this is the allowance for passengers)
- essential habitation equipment** (items and fluids required for safe and proper functioning of habitation equipment)
- optional equipment** (items available from the manufacturer over and above the standard specification)
- personal effects** (those items not covered by the above)

- The **Mass in Running Order** is the mass of the unladen vehicle including a 75kg allowance for the driver plus engine coolants and 90% of the fuel tank and 1 x 6kg Calor Lite cylinder.
- The MRO is calculated with the fresh water tank empty. If you travel with water in the fresh water tank then the payload will reduce accordingly.
- PLEASE TAKE CARE TO ENSURE THAT YOU HAVE ALLOWED FOR THE MASSES OF ALL ITEMS YOU INTEND TO CARRY IN THE MOTOR CARAVAN, e.g. passengers, optional equipment, essential habitation equipment and personal effects, such as clothing, food, pets, bicycles, sailboards, s equipment etc.

5. **WARNING** - UNDER NO CIRCUMSTANCES SHOULD THE MAXIMUM TECHNICAL PERMISSIBLE LADEN MASS OF THIS MOTOR CARAVAN BE EXCEEDED.

Est = Estimated

# Kon-Tiki Specifications

Model	Kon-Tiki 884 Standard	Kon-Tiki 884 Optional	Kon-Tiki 884 Optional	Kon-Tiki 884 Optional
Roof Profile	Low Line Pod			
Engine	160 MJT	160 MJT Auto	180 MJT	180 MJT Auto
Engine Capacity	2.2ltr			
Max Power	160 HP @ 3500rpm		180 HP @ 3500rpm	
Torque	380 Nm @ 1500rpm	400 Nm @ 1500rpm	380 Nm @ 1500rpm	450 Nm @ 1500rpm
Chassis	Fiat / AL-KO Chassis			
Wheel base	4.70m / 0.80m / 15'5" / 2'7"			
Designated Passenger Seats (excluding Driver)	3			
Berths (sleeping positions)	4			
Overall Length (no ladder)	8.96m / 29'5" Est			
Overall Width (mirrors folded)	2.38m / 7'10"			
Overall Height	2.92m / 9'7" Est			
Maximum Technical Permissible Laden Mass (A)	5000kg			
Mass in Running Order (B)	3765kg Est	3783kg Est	3765kg Est	3783kg Est
Maximum User Payload (A-B)	1235kg	1217kg	1235kg	1217kg
Unladen Weight	3600kg Est	3618kg Est	3600kg Est	3618kg Est
Essential Habitation Equipment	0kg			
Thermal Insulation Grade	THREE			
<b>Bed Sizes</b>				
Front Double	194cm x 186cm / 150cm / 6'4" x 6'1" / 4'11"			
Rear Double	206cm x 115cm / 6'9" x 3'9"			
Rear Nearside Single	195cm x 78cm / 6'5" x 2'7"			
Rear Offside Single	195cm x 78cm / 6'5" x 2'7"			
Drop Down Bed				

**NOTE: 1. The Maximum User Payload** includes:

- conventional load** (this is the allowance for passengers)
- essential habitation equipment** (items and fluids required for safe and proper functioning of habitation equipment)
- optional equipment** (items available from the manufacturer over and above the standard specification)
- personal effects** (those items not covered by the above)

2. The **Mass in Running Order** is the mass of the unladen vehicle including a 75kg allowance for the driver plus engine coolants and 90% of the fuel tank and 1 x 6kg Calor Lite cylinder.

- The MRO is calculated with the fresh water tank empty. If you travel with water in the fresh water tank then the payload will reduce accordingly.
- PLEASE TAKE CARE TO ENSURE THAT YOU HAVE ALLOWED FOR THE MASSES OF ALL ITEMS YOU INTEND TO CARRY IN THE MOTOR CARAVAN, e.g. passengers, optional equipment, essential habitation equipment and personal effects, such as clothing, food, pets, bicycles, sailboards, s equipment etc.

5. **WARNING** - UNDER NO CIRCUMSTANCES SHOULD THE MAXIMUM TECHNICAL PERMISSIBLE LADEN MASS OF THIS MOTOR CARAVAN BE EXCEEDED.

Est = Estimated



# Kon-Tiki Specifications

Model	Kon-Tiki 984 Standard	Kon-Tiki 984 Optional	Kon-Tiki 984 Optional	Kon-Tiki 984 Optional
Roof Profile	High Line			
Engine	160 MJT	160 MJT Auto	180 MJT	180 MJT Auto
Engine Capacity	2.2ltr			
Max Power	160 HP @ 3500rpm		180 HP @ 3500rpm	
Torque	380 Nm @ 1500rpm	400 Nm @ 1500rpm	380 Nm @ 1500rpm	450 Nm @ 1500rpm
Chassis	Fiat / AL-KO Chassis			
Wheel base	4.60m / 15'1" - 0.80m / 2'7"			
Designated Passenger Seats (excluding Driver)	3			
Berths (sleeping positions)	6			
Overall Length (no ladder)	9.01m / 29'7"			
Overall Width (mirrors folded)	2.35m / 7'9"			
Overall Height	3.13m / 10'3"			
Maximum Technical Permissible Laden Mass (A)	5000kg			
Mass in Running Order (B)	4147kg Est	4165kg Est	4147kg Est	4165kg Est
Maximum User Payload (A-B)	853kg Est	835kg Est	853kg Est	835kg Est
Unladen Weight	3993kg Est	4011kg Est	3993kg Est	4011kg Est
Essential Habitation Equipment	0kg			
Thermal Insulation Grade	THREE			
<b>Bed Sizes</b>				
Front Double	204cm x 135cm / 6'8" x 4'5"			
Rear Double	203cm x 138cm / 6'8" x 4'6"			
Rear Nearside Single	193cm x 81cm / 6'4"x 2'8"			
Rear Offside Single	193cm x 81cm / 6'4"x 2'8"			
Drop Down Bed	190cm x 134cm / 6'3" x 4'5"			

**NOTE: 1. The Maximum User Payload** includes:

- conventional load** (this is the allowance for passengers)
- essential habitation equipment** (items and fluids required for safe and proper functioning of habitation equipment)
- optional equipment** (items available from the manufacturer over and above the standard specification)
- personal effects** (those items not covered by the above)

2. The **Mass in Running Order** is the mass of the unladen vehicle including a 75kg allowance for the driver plus engine coolants and 90% of the fuel tank and 1 x 6kg Calor Lite cylinder.

3. The MRO is calculated with the fresh water tank empty. If you travel with water in the fresh water tank then the payload will reduce accordingly.

4. PLEASE TAKE CARE TO ENSURE THAT YOU HAVE ALLOWED FOR THE MASSES OF ALL ITEMS YOU INTEND TO CARRY IN THE MOTOR CARAVAN, e.g. passengers, optional equipment, essential habitation equipment and personal effects, such as clothing, food, pets, bicycles, sailboards, s equipment etc.

5. **WARNING** - UNDER NO CIRCUMSTANCES SHOULD THE MAXIMUM TECHNICAL PERMISSIBLE LADEN MASS OF THIS MOTOR CARAVAN BE EXCEEDED.

Est = Estimated

# Kon-Tiki Specifications

Model	Kon-Tiki 994 Standard	Kon-Tiki 994 Optional	Kon-Tiki 994 Optional	Kon-Tiki 994 Optional
Roof Profile	High Line			
Engine	160 MJT	160 MJT Auto	180 MJT	180 MJT Auto
Engine Capacity	2.2ltr			
Max Power	160 HP @ 3500rpm		180 HP @ 3500rpm	
Torque	380 Nm @ 1500rpm	400 Nm @ 1500rpm	380 Nm @ 1500rpm	450 Nm @ 1500rpm
Chassis	Fiat / AL-KO Chassis			
Wheel base	4.60m / 15'1" - 0.80m / 2'7"			
Designated Passenger Seats (excluding Driver)	3			
Berths (sleeping positions)	6			
Overall Length (no ladder)	9.01m / 29'7"			
Overall Width (mirrors folded)	2.35m / 7'9"			
Overall Height	3.13m / 10'3"			
Maximum Technical Permissible Laden Mass (A)	5000kg			
Mass in Running Order (B)	4147kg Est	4165kg Est	4147kg Est	4165kg Est
Maximum User Payload (A-B)	853kg Est	835kg Est	853kg Est	835kg Est
Unladen Weight	3993kg Est	4011kg Est	3993kg Est	4011kg Est
Essential Habitation Equipment	0kg			
Thermal Insulation Grade	THREE			
<b>Bed Sizes</b>				
Front Double	204cm x 135cm / 6'8" x 4'5"			
Rear Double	192cm x 143cm / 6'4" x 4'8"			
Rear Nearside Single				
Rear Offside Single				
Drop Down Bed	190 x 134cm / 6'3" x 4'5"			



# Kon-Tiki Capacities

## Water Tank Capacities

	<b>Fresh Water Tank</b>	<b>Waste Water Tank</b>	<b>Water Heater</b>
Kon-Tiki 700 & 800	90 litre	68 litre	8.5 litre
Kon-Tiki 900	125 litre	100 litre	8.5 litre

## LPG Locker Capacity

	<b>Capacity</b>
Kon-Tiki 700 & 800	1 x 6kg + 1 x 13kg
Kon-Tiki 900	2 x 13kg

**Note: For technical data on the base vehicle please refer to the manufacturer's handbook**

# Kon-Tiki Towing Capabilities

## Kon-Tiki Towing Capabilities

Model	MTPLM	Permissible Front Axle Load	Permissible Rear Axle Load	Recommended Maximum Trailer Weight	Gross Train Weight
Kon-Tiki 764	4500kg	2100kg	2500kg	2000kg#	6000kg#
Kon-Tiki 774	4500kg	2100kg	2500kg	2000kg#	6000kg#
Kon-Tiki 784	4500kg	2100kg	2500kg	2000kg#	6000kg#
Kon-Tiki 794	4500kg	2100kg	2500kg	2000kg#	6000kg#
Kon-Tiki 874	5000kg	2100kg	2 x 1600kg	2000kg#	6000kg#
Kon-Tiki 884	5000kg	2100kg	2 x 1600kg	2000kg#	6000kg#
Kon-Tiki 894	5000kg	2100kg	2 x 1600kg	2000kg#	6000kg#
Kon-Tiki 984	5000kg	2100kg	2 x 1600kg	2000kg#	6000kg#
Kon-Tiki 994	5000kg	2100kg	2 x 1600kg	2000kg#	6000kg#

Please note that the additional weight of the tow bar and trailer nose weight increases the rear axle loading of the motor home so care should be taken that the rear axle load is not exceeded when towing.

To ensure adequate road holding, the load on the front axle, under all conditions, must not be less than 40% or more than 70% of the total weight.

Care must be taken when distributing loads. The loadings and weights above are maximums and must not be exceeded under any circumstances.

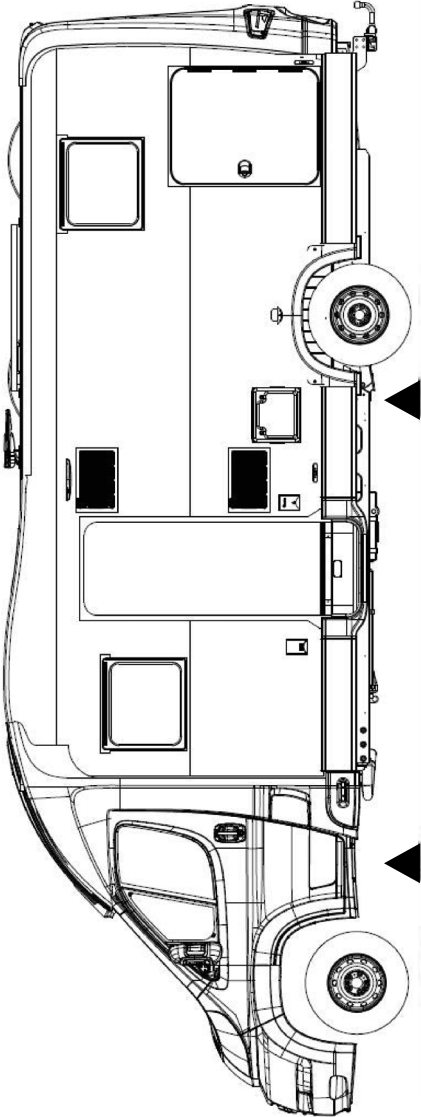
\* With this vehicle configuration it will be necessary to reduce the payload carried inside the van when towing to ensure that the MTPLM and Maximum Axle Loads are not exceeded.

# The Maximum Trailer Weight is limited by the Gross Train Weight which must not be exceeded. For example if a vehicle with a train weight of 6000kg is loaded to the maximum MTPLM of 4500kg then the maximum trailer weight possible is 1500kg. Reducing the weight of the vehicle by removing payload, will allow you to increase the trailer weight up to a maximum of 2000kg.

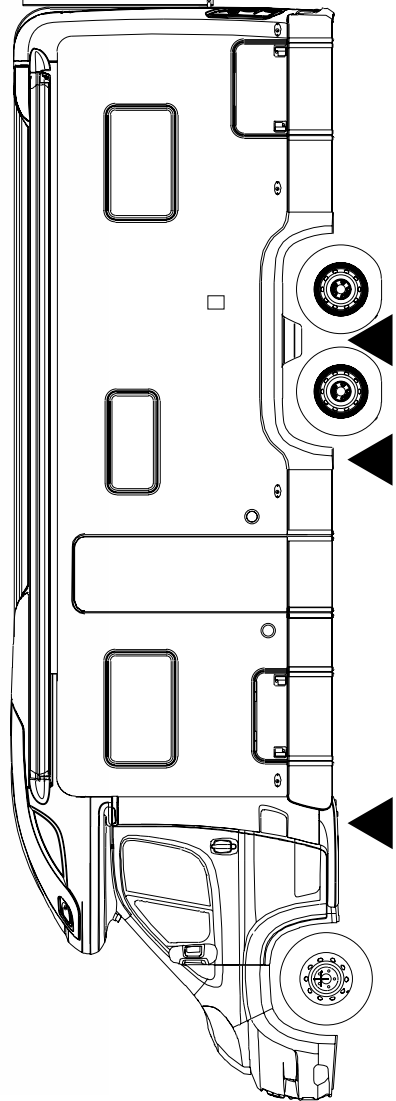
**CAUTION:** When fitting a towbar, it must meet certain minimum requirements as specified by Type Approval Regulations. The bar will have marked on it the approval standard (94/20/EC or 55R ECE) and the maximum download, or noseweight, that it can accept. It must fit the manufacturer's approved mounting points and must not obscure the towing vehicle's number plate.

# Kon-Tiki Jacking

**Kon-Tiki single axle jacking points**

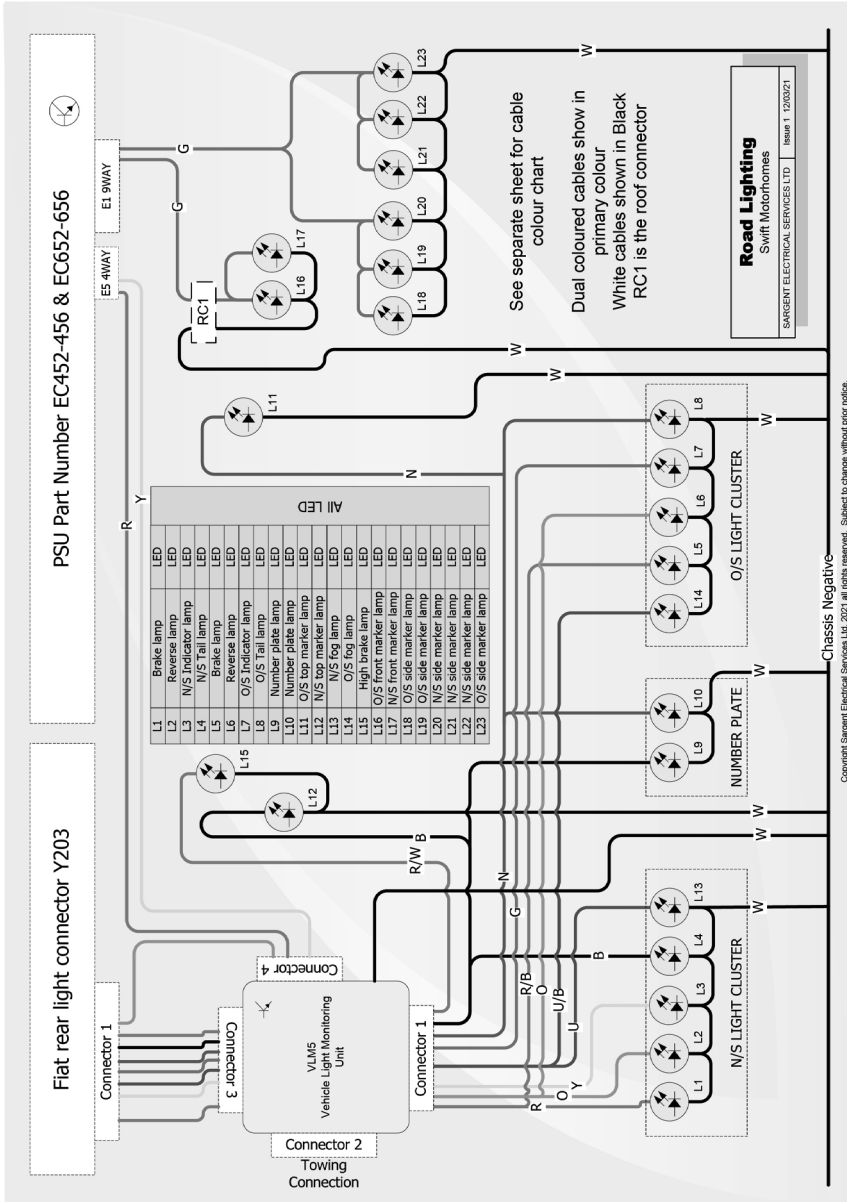


**Kon-Tiki twin axle jacking points**



# Wiring Diagrams

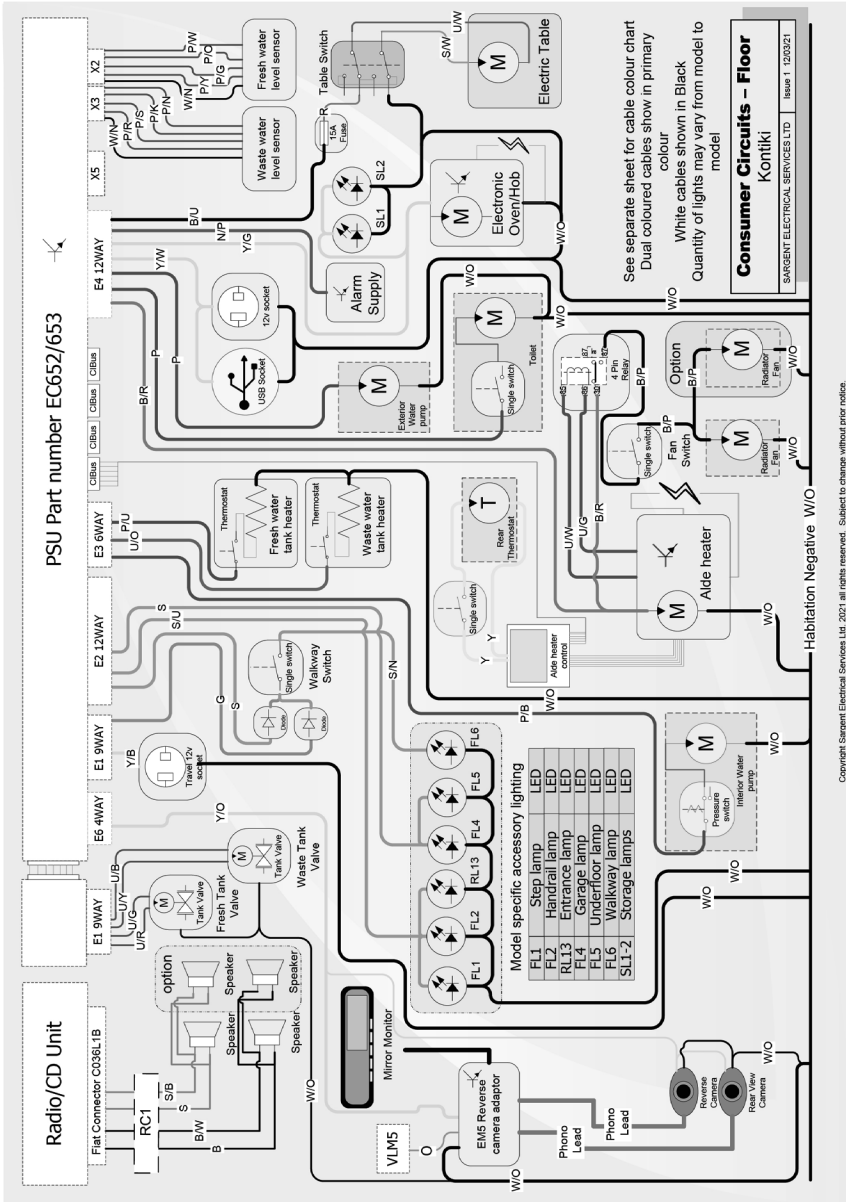
## Road lighting circuits



Copyright Sargent Electrical Services Ltd. 2021. All rights reserved. Subject to change without prior notice.

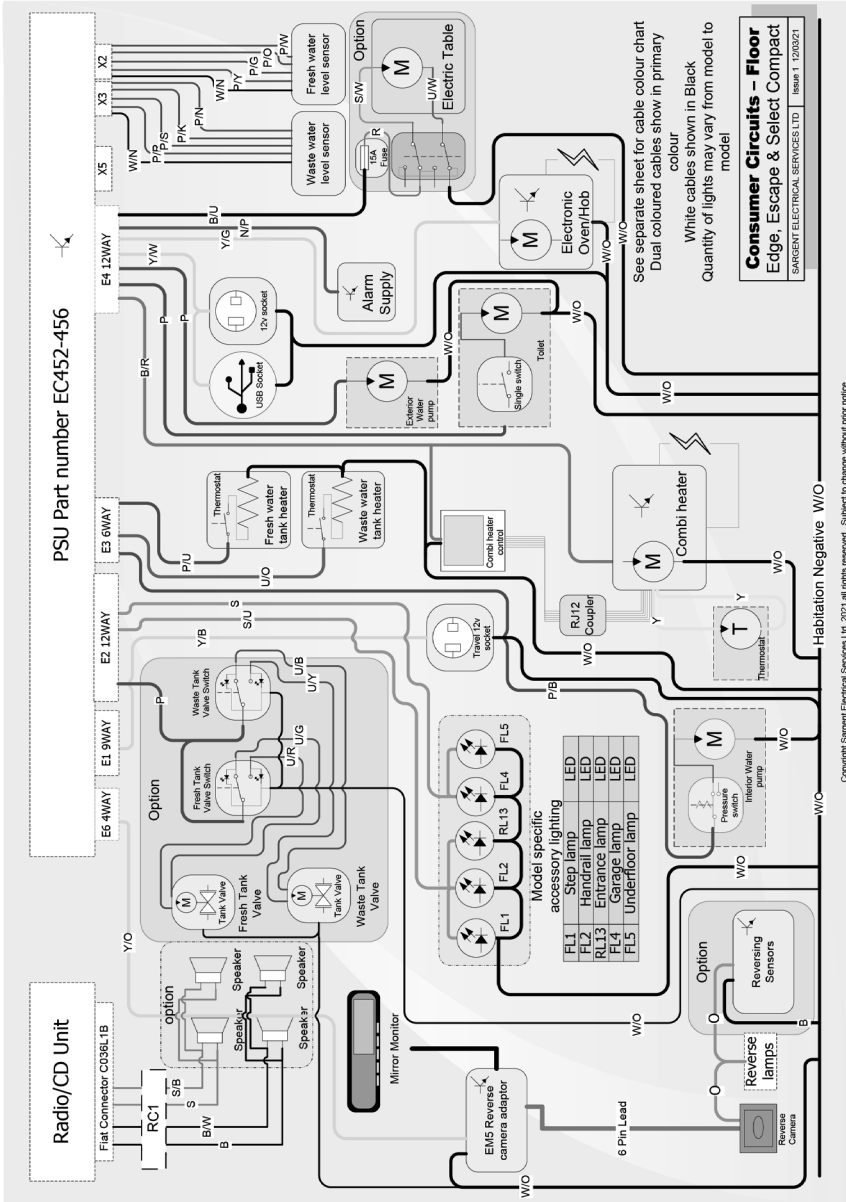
# Wiring Diagrams

## Kon-Tiki Consumer Circuits - Floor



# Wiring Diagrams

## Edge, Escape and Select Compact Consumer Circuits - Floor



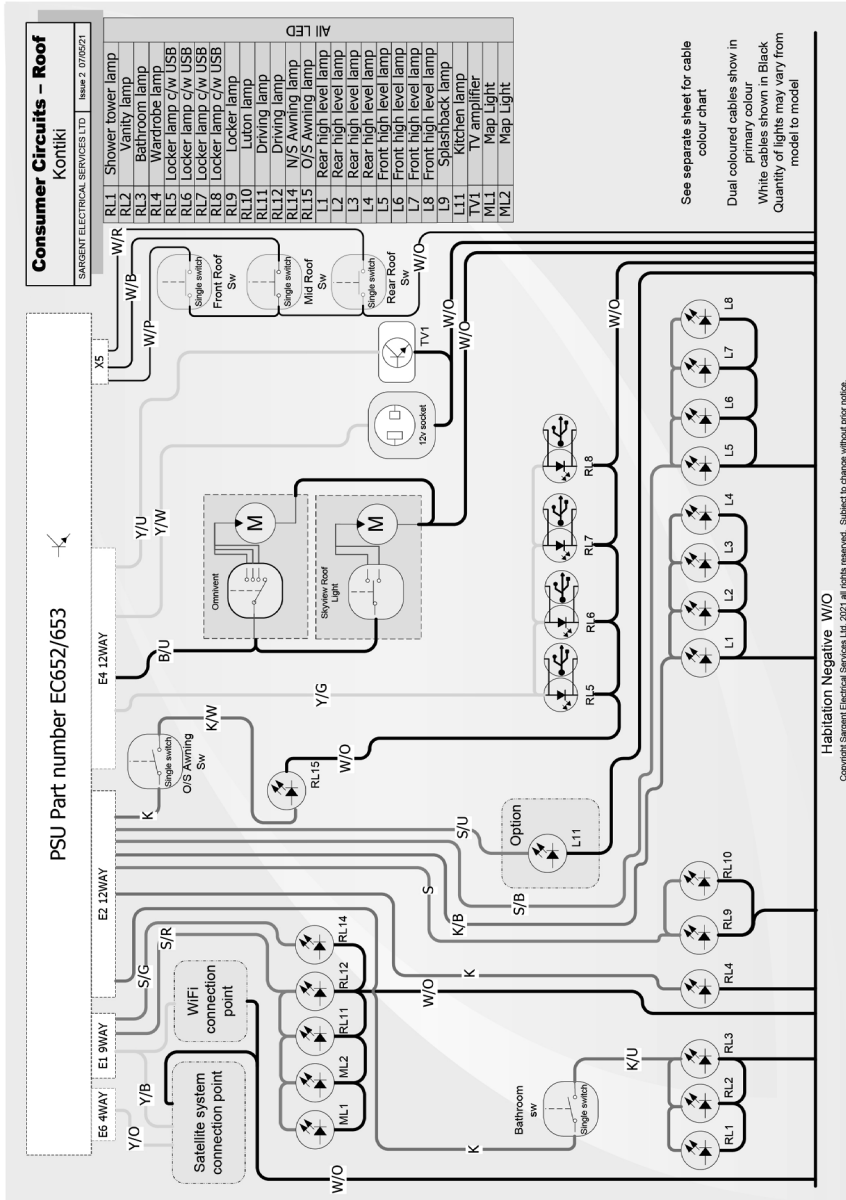






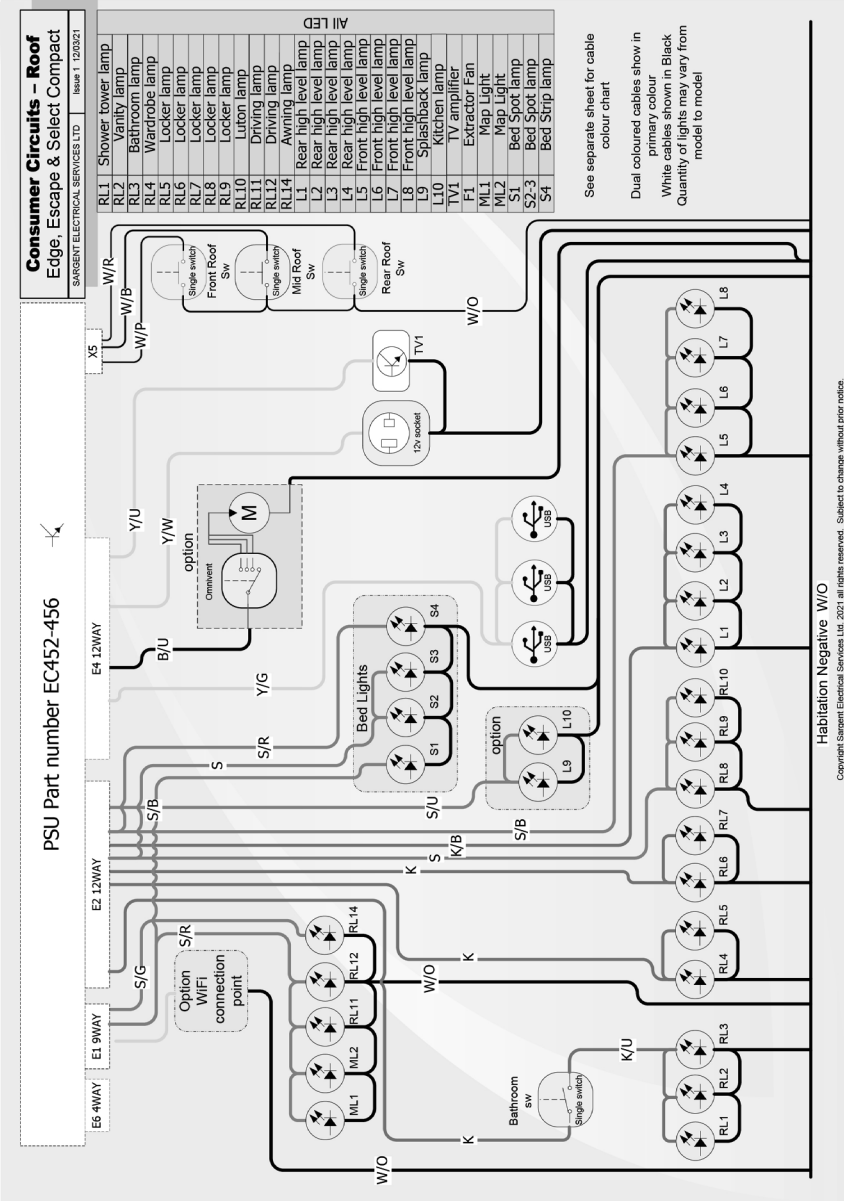
# Wiring Diagrams

## Kon-Tiki Consumer Circuits - Roof



# Wiring Diagrams

## Edge, Escape and Select Compact Consumer Circuits - Roof





# Wiring Diagrams

## Cable Colour Chart

Example



**Y/U**

Yellow cable with Blue stripe

### Cable Colour Chart

Swift Group

SARGENT ELECTRICAL SERVICES LTD Issue 1 12/03/21

#### 12V Cable Colours

<b>B</b>	BLACK
<b>N</b>	BROWN
<b>R</b>	RED
<b>O</b>	ORANGE
<b>Y</b>	YELLOW
<b>G</b>	GREEN
<b>U</b>	BLUE
<b>P</b>	PURPLE
<b>S</b>	SLATE GREY
<b>W</b>	WHITE
<b>K</b>	PINK

#### 230V Cable Colours

<b>B</b>	BLACK
<b>N</b>	BROWN
<b>W</b>	WHITE
<b>O</b>	ORANGE
<b>Y</b>	YELLOW
<b>G</b>	GREEN
<b>U</b>	BLUE

# Bulb Replacement

## ROAD LIGHT BULB ACCESS

### REAR LIGHT CLUSTERS (CONTAINING INDICATOR, TAIL / STOP, REVERSE AND FOG LAMPS)

- These multi-function lights are LED and have no user serviceable parts inside.
- Replacement clusters can be fitted in the following way:
- Remove three screws visible around the perimeter of the cluster
- Pull the cluster away from the rear panel of the tourer, taking care to not put excessive strain on the electrical connections behind the lamp
- Unplug the electrical connection from the rear of the lamp, by releasing the tab and lifting the connector upwards relative to the cluster
- Plug the connector back into the replacement lamp, position the lamp into the recess and replace the three fixing screws.

### NUMBER PLATE LAMPS, LED

- These lamps are LED and have no user serviceable parts inside.
- Replacements should be undertaken by your dealer, as the lamps are sealed onto the mounting panel.

### HIGH LEVEL BRAKE LAMP

- These lamps are LED and have no user serviceable parts inside.
- Replacements should be undertaken by your dealer, as the lamps are sealed onto the mounting panel.

### FRONT AND REAR UPPER MARKER / POSITION LAMPS

- These lamps are LED and have no user serviceable parts inside.
- Replacements should be undertaken by your dealer, as the lamps are sealed onto the mounting panel.

### SIDE MARKER / POSITION LAMPS

- These lamps are LED and have no user serviceable parts inside.
- Replacements should be undertaken by your dealer, as the lamps are sealed onto the mounting panel.

# Dealer Special Editions based on Escape

Model	Escape 640 Standard	Escape 640 Optional	Escape 640 Optional	Escape 640 Optional
<b>Dealer</b>				
Lowdhams	Hi-Style 640			
Merit RV (NZ)	Voyager 640			
Roof Profile	Low Line Pod			
Engine	140 MJT	140 MJT Auto	160 MJT	160 MJT Auto
Engine Capacity	2.2ltr			
Max Power	140 Hp @ 3500 rpm		160hp @ 3500rpm	
Torque	350 Nm @ 1400rpm	380 Nm @ 1400rpm	380 Nm @ 1500rpm	400 Nm @ 1500rpm
Chassis	Fiat / AL-KO Chassis			
Wheel base	4.20m / 13'9"			
Designated Passenger Seats (excluding Driver)	3			
Berths (sleeping positions)	4			
Overall Length (no ladder)	6.99m / 22'11"			
Overall Width (mirrors folded)	2.37m / 7'9"			
Overall Height	2.86m / 9'5"			
Maximum Technical Permissible Laden Mass (A)	3500kg			
Mass in Running Order (B)	3082kg	3115kg	3097kg	3115kg
Maximum User Payload (A-B)	418kg	385kg	403kg	385kg
Unladen Weight	2940kg	2973kg	2955kg	2973kg
Essential Habitation Equipment	0kg			
Thermal Insulation Grade	THREE			
<b>Bed Sizes</b>				
Front Double	194cm x 165cm / 136cm / 6'4" x 5'10" / 4'6"			
Rear Double				
Rear Nearside Single				
Rear Offside Single				
Drop Down Bed	189cm x 150cm / 6'2" x 4'11"			

**NOTE:** 1. **The Maximum User Payload** includes:

- the **conventional load** (this is the allowance for passengers)
- essential habitation equipment** (items and fluids required for safe and proper functioning of habitation equipment)
- optional equipment** (items available from the manufacturer over and above the standard specification)
- personal effects** (those items not covered by the above)

2. The **Mass in Running Order** is the mass of the unladen vehicle including a 75kg allowance for the driver plus engine coolants and 90% of the fuel tank and 1 x 6kg Calor Lite cylinder.

3. The MRO is calculated with the fresh water tank empty. If you travel with water in the fresh water tank then the payload will reduce accordingly.

4. PLEASE TAKE CARE TO ENSURE THAT YOU HAVE ALLOWED FOR THE MASSES OF ALL ITEMS YOU INTEND TO CARRY IN THE MOTOR CARAVAN, e.g. passengers, optional equipment, essential habitation equipment and personal effects, such as clothing, food, pets, bicycles, sailboards, s equipment etc.

5. **WARNING** - UNDER NO CIRCUMSTANCES SHOULD THE MAXIMUM TECHNICAL PERMISSIBLE LADEN MASS OF THIS MOTOR CARAVAN BE EXCEEDED.

Est = Estimated

# Dealer Special Editions based on Escape

Model	Escape 664 Standard	Escape 664 Optional	Escape 664 Optional	Escape 664 Optional
<b>Dealer</b>				
Lowdhams	Hi-Style 664			
Merit RV (NZ)	Voyager 664			
Roof Profile	Low Line Pod			
Engine	140 MJT	140 MJT Auto	160 MJT	160 MJT Auto
Engine Capacity	2.2ltr			
Max Power	140 Hp @ 3500 rpm		160hp @ 3500rpm	
Torque	350 Nm @ 1400rpm	380 Nm @ 1400rpm	380 Nm @ 1500rpm	400 Nm @ 1500rpm
Chassis	Fiat / AL-KO Chassis			
Wheel base	4.30m / 14' 1"			
Designated Passenger Seats (excluding Driver)	3			
Berths (sleeping positions)	4			
Overall Length (no ladder)	7.84m / 25'9"			
Overall Width (mirrors folded)	2.37m / 7'9"			
Overall Height	2.88m / 9'5" Est			
Maximum Technical Permissible Laden Mass (A)	3500kg Est	3700kg Est	3700kg Est	3700kg Est
Mass in Running Order (B)	3132kg Est	3165kg Est	3147kg Est	3165kg Est
Maximum User Payload (A-B)	368kg	535kg	553kg	535kg
Unladen Weight	2990kg Est	3023kg Est	3005kg Est	3023kg Est
Essential Habitation Equipment	0kg			
Thermal Insulation Grade	THREE			
<b>Bed Sizes</b>				
Front Double	194cm x 133cm / 106cm / 6'4" x 4'4" / 3'6"			
Rear Double	188cm x 129cm / 6'2" x 4'3"			
Rear Nearside Single				
Rear Offside Single				
Drop Down Bed				

**NOTE: 1. The Maximum User Payload** includes:

- conventional load** (this is the allowance for passengers)
- essential habitation equipment** (items and fluids required for safe and proper functioning of habitation equipment)
- optional equipment** (items available from the manufacturer over and above the standard specification)
- personal effects** (those items not covered by the above)

2. The **Mass in Running Order** is the mass of the unladen vehicle including a 75kg allowance for the driver plus engine coolants and 90% of the fuel tank and 1 x 6kg Calor Lite cylinder.

- The MRO is calculated with the fresh water tank empty. If you travel with water in the fresh water tank then the payload will reduce accordingly.
- PLEASE TAKE CARE TO ENSURE THAT YOU HAVE ALLOWED FOR THE MASSES OF ALL ITEMS YOU INTEND TO CARRY IN THE MOTOR CARAVAN, e.g. passengers, optional equipment, essential habitation equipment and personal effects, such as clothing, food, pets, bicycles, sailboards, s equipment etc.

5. **WARNING** - UNDER NO CIRCUMSTANCES SHOULD THE MAXIMUM TECHNICAL PERMISSIBLE LADEN MASS OF THIS MOTOR CARAVAN BE EXCEEDED.

Est = Estimated

# Dealer Special Editions based on Escape

Model	Escape 674 Standard	Escape 674 Optional	Escape 674 Optional	Escape 674 Optional
<b>Dealer</b>				
Lowdhams	Hi-Style 674			
Merit RV (NZ)	Voyager 674			
Roof Profile	Low Line Pod			
Engine	140 MJT	140 MJT Auto	160 MJT	160 MJT Auto
Engine Capacity	2.2ltr			
Max Power	140 Hp @ 3500 rpm		160hp @ 3500rpm	
Torque	350 Nm @ 1400rpm	380 Nm @ 1400rpm	380 Nm @ 1500rpm	400 Nm @ 1500rpm
Chassis	Fiat / AL-KO Chassis			
Wheel base	4.70m / 15'5"			
Designated Passenger Seats (excluding Driver)	4			
Berths (sleeping positions)	6			
Overall Length (no ladder)	8.22m / 27'0"			
Overall Width (mirrors folded)	2.37m / 7'9"			
Overall Height	2.86m / 9'5"			
Maximum Technical Permissible Laden Mass (A)	4500kg Est			
Mass in Running Order (B)	3272kg Est	3305kg Est	3287kg Est	3305kg Est
Maximum User Payload (A-B)	1228kg	1195kg	1213kg	1195kg
Unladen Weight	3118kg Est	3151kg Est	3133kg Est	3151kg Est
Essential Habitation Equipment	0kg			
Thermal Insulation Grade	THREE			
<b>Bed Sizes</b>				
Front Double	194cm x 136cm / 6'4" x 4'6"			
Rear Double	202cm x 132cm / 6'8" x 4'4"			
Rear Nearside Single				
Rear Offside Single				
Drop Down Bed	189cm x 150cm / 6'2" x 4'11"			

**NOTE:** 1. **The Maximum User Payload** includes:

- the **conventional load** (this is the allowance for passengers)
- essential habitation equipment** (items and fluids required for safe and proper functioning of habitation equipment)
- optional equipment** (items available from the manufacturer over and above the standard specification)
- personal effects** (those items not covered by the above)

2. The **Mass in Running Order** is the mass of the unladen vehicle including a 75kg allowance for the driver plus engine coolants and 90% of the fuel tank and 1 x 6kg Calor Lite cylinder.

3. The MRO is calculated with the fresh water tank empty. If you travel with water in the fresh water tank then the payload will reduce accordingly.

4. PLEASE TAKE CARE TO ENSURE THAT YOU HAVE ALLOWED FOR THE MASSES OF ALL ITEMS YOU INTEND TO CARRY IN THE MOTOR CARAVAN, e.g. passengers, optional equipment, essential habitation equipment and personal effects, such as clothing, food, pets, bicycles, sailboards, s equipment etc.

5. **WARNING** - UNDER NO CIRCUMSTANCES SHOULD THE MAXIMUM TECHNICAL PERMISSIBLE LADEN MASS OF THIS MOTOR CARAVAN BE EXCEEDED.

Est = Estimated



# Dealer Special Editions based on Escape

Model	Escape 684 Standard	Escape 684 Optional	Escape 684 Optional	Escape 684 Optional
<b>Dealer</b>				
Lowdhams	Hi-Style 684			
Merit RV (NZ)	Voyager 684			
Roof Profile	Low Line Pod			
Engine	140 MJT	140 MJT Auto	160 MJT	160 MJT Auto
Engine Capacity	2.2ltr			
Max Power	140 Hp @ 3500 rpm		160hp @ 3500rpm	
Torque	350 Nm @ 1400rpm	380 Nm @ 1400rpm	380 Nm @ 1500rpm	400 Nm @ 1500rpm
Chassis	Fiat / AL-KO Chassis			
Wheel base	4.70m / 15'5"			
Designated Passenger Seats (excluding Driver)	3			
Berths (sleeping positions)	4			
Overall Length (no ladder)	7.84m / 25'9"			
Overall Width (mirrors folded)	2.37m / 7'9"			
Overall Height	2.88m / 9'5" Est			
Maximum Technical Permissible Laden Mass (A)	3500kg Est	3700kg Est	3700kg Est	3700kg Est
Mass in Running Order (B)	3152kg Est	3185kg Est	3167kg Est	3185kg Est
Maximum User Payload (A-B)	348kg	515kg	533kg	515kg
Unladen Weight	3010kg Est	3043kg Est	3025kg Est	3043kg Est
Essential Habitation Equipment	0kg			
Thermal Insulation Grade	THREE			
<b>Bed Sizes</b>				
Front Double	194cm x 133cm / 106cm / 6'4" x 4'4" / 3'6"			
Rear Double	206cm x 115cm / 6'9" x 3'9"			
Rear Nearside Single	195cm x 78cm / 6'5" x 2'7"			
Rear Offside Single	195cm x 78cm / 6'5" x 2'7"			
Drop Down Bed				

**NOTE: 1. The Maximum User Payload** includes:

- conventional load** (this is the allowance for passengers)
- essential habitation equipment** (items and fluids required for safe and proper functioning of habitation equipment)
- optional equipment** (items available from the manufacturer over and above the standard specification)
- personal effects** (those items not covered by the above)

2. The **Mass in Running Order** is the mass of the unladen vehicle including a 75kg allowance for the driver plus engine coolants and 90% of the fuel tank and 1 x 6kg Calor Lite cylinder.

3. The MRO is calculated with the fresh water tank empty. If you travel with water in the fresh water tank then the payload will reduce accordingly.

4. PLEASE TAKE CARE TO ENSURE THAT YOU HAVE ALLOWED FOR THE MASSES OF ALL ITEMS YOU INTEND TO CARRY IN THE MOTOR CARAVAN, e.g. passengers, optional equipment, essential habitation equipment and personal effects, such as clothing, food, pets, bicycles, sailboards, s equipment etc.

5. **WARNING** - UNDER NO CIRCUMSTANCES SHOULD THE MAXIMUM TECHNICAL PERMISSIBLE LADEN MASS OF THIS MOTOR CARAVAN BE EXCEEDED.

Est = Estimated

# Dealer Special Editions based on Escape

Model	Escape 694 Standard	Escape 694 Optional	Escape 694 Optional	Escape 694 Optional
<b>Dealer</b>				
Lowdhams	Hi-Style 694			
Merit RV (NZ)	Voyager 694			
Roof Profile	Low Line Pod			
Engine	140 MJT	140 MJT Auto	160 MJT	160 MJT Auto
Engine Capacity	2.2ltr			
Max Power	140 Hp @ 3500 rpm		160hp @ 3500rpm	
Torque	350 Nm @ 1400rpm	380 Nm @ 1400rpm	380 Nm @ 1500rpm	400 Nm @ 1500rpm
Chassis	Fiat / AL-KO Chassis			
Wheel base	4.70m / 15'5"			
Designated Passenger Seats (excluding Driver)	3			
Berths (sleeping positions)	4			
Overall Length (no ladder)	7.84m / 25'9"			
Overall Width (mirrors folded)	2.37m / 7'9"			
Overall Height	2.88m / 9'5"			
Maximum Technical Permissible Laden Mass (A)	3500kg Est	3700kg Est	3700kg Est	3700kg Est
Mass in Running Order (B)	3152kg Est	3185kg Est	3167kg Est	3185kg Est
Maximum User Payload (A-B)	348kg	515kg	533kg	515kg
Unladen Weight	3010kg Est	3043kg Est	3025kg Est	3043kg Est
Essential Habitation Equipment	0kg			
Thermal Insulation Grade	THREE			
<b>Bed Sizes</b>				
Front Double	194cm x 133cm / 106cm / 6'4" x 4'4" / 3'6"			
Rear Double	180cm x 143cm / 5'11" x 4'8"			
Rear Nearside Single				
Rear Offside Single				
Drop Down Bed				

**NOTE:** 1. **The Maximum User Payload** includes:

- the **conventional load** (this is the allowance for passengers)
- essential habitation equipment** (items and fluids required for safe and proper functioning of habitation equipment)
- optional equipment** (items available from the manufacturer over and above the standard specification)
- personal effects** (those items not covered by the above)

2. The **Mass in Running Order** is the mass of the unladen vehicle including a 75kg allowance for the driver plus engine coolants and 90% of the fuel tank and 1 x 6kg Calor Lite cylinder.

- The MRO is calculated with the fresh water tank empty. If you travel with water in the fresh water tank then the payload will reduce accordingly.
- PLEASE TAKE CARE TO ENSURE THAT YOU HAVE ALLOWED FOR THE MASSES OF ALL ITEMS YOU INTEND TO CARRY IN THE MOTOR CARAVAN, e.g. passengers, optional equipment, essential habitation equipment and personal effects, such as clothing, food, pets, bicycles, sailboards, s equipment etc.

5. **WARNING** - UNDER NO CIRCUMSTANCES SHOULD THE MAXIMUM TECHNICAL PERMISSIBLE LADEN MASS OF THIS MOTOR CARAVAN BE EXCEEDED.

Est = Estimated



# Dealer Special Editions based on Kon-Tiki

Model	Kon-Tiki 764 Standard	Kon-Tiki 764 Optional	Kon-Tiki 764 Optional	Kon-Tiki 764 Optional
<b>Dealer</b>				
Lowdhams	Kon-Tiki 764 Grand Prix			
Roof Profile	Low Line Pod			
Engine	160 MJT	160 MJT Auto	180 MJT	180 MJT Auto
Engine Capacity	2.2ltr			
Max Power	160 HP @ 3500rpm		180 HP @ 3500rpm	
Torque	380 Nm @ 1500rpm	400 Nm @ 1500rpm	380 Nm @ 1500rpm	450 Nm @ 1500rpm
Chassis	Fiat / AL-KO Chassis			
Wheel base	4.30m / 14'1"			
Designated Passenger Seats (excluding Driver)	3			
Berths (sleeping positions)	4			
Overall Length (no ladder)	7.84m / 25'9"			
Overall Width (mirrors folded)	2.38m / 7'10"			
Overall Height	2.89m / 9'6"			
Maximum Technical Permissible Laden Mass (A)	4500kg			
Mass in Running Order (B)	3397kg Est	3415kg Est	3397kg Est	3415kg Est
Maximum User Payload (A-B)	1103kg	1085kg	1103kg	1085kg
Unladen Weight	3232kg Est	3250kg Est	3232kg Est	3250kg Est
Essential Habitation Equipment	0kg			
Thermal Insulation Grade	THREE			
<b>Bed Sizes</b>				
Front Double	194cm x 133cm / 106cm / 6'4" x 4'4" / 3'6"			
Rear Double	188cm x 129cm / 6'2" x 4'3"			
Rear Nearside Single				
Rear Offside Single				
Drop Down Bed				

**NOTE:** 1. **The Maximum User Payload** includes:

- the **conventional load** (this is the allowance for passengers)
- essential habitation equipment** (items and fluids required for safe and proper functioning of habitation equipment)
- optional equipment** (items available from the manufacturer over and above the standard specification)
- personal effects** (those items not covered by the above)

2. The **Mass in Running Order** is the mass of the unladen vehicle including a 75kg allowance for the driver plus engine coolants and 90% of the fuel tank and 1 x 6kg Calor Lite cylinder.

- The MRO is calculated with the fresh water tank empty. If you travel with water in the fresh water tank then the payload will reduce accordingly.
- PLEASE TAKE CARE TO ENSURE THAT YOU HAVE ALLOWED FOR THE MASSES OF ALL ITEMS YOU INTEND TO CARRY IN THE MOTOR CARAVAN, e.g. passengers, optional equipment, essential habitation equipment and personal effects, such as clothing, food, pets, bicycles, sailboards, s equipment etc.

5. **WARNING** - UNDER NO CIRCUMSTANCES SHOULD THE MAXIMUM TECHNICAL PERMISSIBLE LADEN MASS OF THIS MOTOR CARAVAN BE EXCEEDED.

Est = Estimated

# Dealer Special Editions based on Kon-Tiki

Model	Kon-Tiki 774 Standard	Kon-Tiki 774 Optional	Kon-Tiki 774 Optional	Kon-Tiki 774 Optional
<b>Dealer</b>				
Lowdhams	Kon-Tiki 774 Grand Prix			
Roof Profile	Low Line Pod			
Engine	160 MJT	160 MJT Auto	180 MJT	180 MJT Auto
Engine Capacity	2.2ltr			
Max Power	160 HP @ 3500rpm		180 HP @ 3500rpm	
Torque	380 Nm @ 1500rpm	400 Nm @ 1500rpm	380 Nm @ 1500rpm	450 Nm @ 1500rpm
Chassis	Fiat / AL-KO Chassis			
Wheel base	4.70m / 15' 5"			
Designated Passenger Seats (excluding Driver)	4			
Berths (sleeping positions)	6			
Overall Length (no ladder)	8.22m / 27'0"			
Overall Width (mirrors folded)	2.38m / 7'10"			
Overall Height	2.87m / 9'5"			
Maximum Technical Permissible Laden Mass (A)	4500kg			
Mass in Running Order (B)	3617kg Est	3635kg Est	3617kg Est	3635kg Est
Maximum User Payload (A-B)	883kg	865kg	883kg	865kg
Unladen Weight	3452kg Est	3470kg Est	3452kg Est	3470kg Est
Essential Habitation Equipment	0kg			
Thermal Insulation Grade	THREE			
<b>Bed Sizes</b>				
Front Double	194cm x 136cm / 6'4" x 4'6"			
Rear Double	203cm x 132cm / 6'8" x 4'4"			
Rear Nearside Single				
Rear Offside Single				
Drop Down Bed	189cm x 150cm / 6'2" x 4'11"			

**NOTE: 1. The Maximum User Payload** includes:

- conventional load** (this is the allowance for passengers)
- essential habitation equipment** (items and fluids required for safe and proper functioning of habitation equipment)
- optional equipment** (items available from the manufacturer over and above the standard specification)
- personal effects** (those items not covered by the above)

2. The **Mass in Running Order** is the mass of the unladen vehicle including a 75kg allowance for the driver plus engine coolants and 90% of the fuel tank and 1 x 6kg Calor Lite cylinder.

3. The MRO is calculated with the fresh water tank empty. If you travel with water in the fresh water tank then the payload will reduce accordingly.

4. PLEASE TAKE CARE TO ENSURE THAT YOU HAVE ALLOWED FOR THE MASSES OF ALL ITEMS YOU INTEND TO CARRY IN THE MOTOR CARAVAN, e.g. passengers, optional equipment, essential habitation equipment and personal effects, such as clothing, food, pets, bicycles, sailboards, s equipment etc.

5. **WARNING** - UNDER NO CIRCUMSTANCES SHOULD THE MAXIMUM TECHNICAL PERMISSIBLE LADEN MASS OF THIS MOTOR CARAVAN BE EXCEEDED.

Est = Estimated

# Dealer Special Editions based on Kon-Tiki

Model	Kon-Tiki 784 Standard	Kon-Tiki 784 Optional	Kon-Tiki 784 Optional	Kon-Tiki 784 Optional
<b>Dealer</b>				
Lowdhams	Kon-Tiki 784 Grand Prix			
Roof Profile	Low Line Pod			
Engine	160 MJT	160 MJT Auto	180 MJT	180 MJT Auto
Engine Capacity	2.2ltr			
Max Power	160 HP @ 3500rpm		180 HP @ 3500rpm	
Torque	380 Nm @ 1500rpm	400 Nm @ 1500rpm	380 Nm @ 1500rpm	450 Nm @ 1500rpm
Chassis	Fiat / AL-KO Chassis			
Wheel base	4.70m / 15'5"			
Designated Passenger Seats (excluding Driver)	3			
Berths (sleeping positions)	4			
Overall Length (no ladder)	7.84m / 25'9"			
Overall Width (mirrors folded)	2.38m / 7'10"			
Overall Height	2.89m / 9'6"			
Maximum Technical Permissible Laden Mass (A)	4500kg			
Mass in Running Order (B)	3440kg Est	3458kg Est	3440kg Est	Est 3458kg
Maximum User Payload (A-B)	1060kg	1042kg	1060kg	1042kg
Unladen Weight	3275kg Est	3293kg Est	3275kg Est	3293kg Est
Essential Habitation Equipment	0kg			
Thermal Insulation Grade	THREE			
<b>Bed Sizes</b>				
Front Double	194cm x 133cm / 106cm / 6'4" x 4'4" / 3'6"			
Rear Double	206cm x 115cm / 6'9" x 3'9"			
Rear Nearside Single	195cm x 78cm / 6'5" x 2'7"			
Rear Offside Single	195cm x 78cm / 6'5" x 2'7"			
Drop Down Bed				

**NOTE:** 1. **The Maximum User Payload** includes:

- the **conventional load** (this is the allowance for passengers)
- essential habitation equipment** (items and fluids required for safe and proper functioning of habitation equipment)
- optional equipment** (items available from the manufacturer over and above the standard specification)
- personal effects** (those items not covered by the above)

2. The **Mass in Running Order** is the mass of the unladen vehicle including a 75kg allowance for the driver plus engine coolants and 90% of the fuel tank and 1 x 6kg Calor Lite cylinder.

3. The MRO is calculated with the fresh water tank empty. If you travel with water in the fresh water tank then the payload will reduce accordingly.

4. PLEASE TAKE CARE TO ENSURE THAT YOU HAVE ALLOWED FOR THE MASSES OF ALL ITEMS YOU INTEND TO CARRY IN THE MOTOR CARAVAN, e.g. passengers, optional equipment, essential habitation equipment and personal effects, such as clothing, food, pets, bicycles, sailboards, s equipment etc.

5. **WARNING** - UNDER NO CIRCUMSTANCES SHOULD THE MAXIMUM TECHNICAL PERMISSIBLE LADEN MASS OF THIS MOTOR CARAVAN BE EXCEEDED.

Est = Estimated

# Dealer Special Editions based on Kon-Tiki

Model	Kon-Tiki 794 Standard	Kon-Tiki 794 Optional	Kon-Tiki 794 Optional	Kon-Tiki 794 Optional
<b>Dealer</b>				
Lowdhams	Kon-Tiki 794 Grand Prix			
Roof Profile	Low Line Pod			
Engine	160 MJT	160 MJT Auto	180 MJT	180 MJT Auto
Engine Capacity	2.2ltr			
Max Power	160 HP @ 3500rpm		180 HP @ 3500rpm	
Torque	380 Nm @ 1500rpm	400 Nm @ 1500rpm	380 Nm @ 1500rpm	450 Nm @ 1500rpm
Chassis	Fiat / AL-KO Chassis			
Wheel base	4.70m / 15'5"			
Designated Passenger Seats (excluding Driver)	3			
Berths (sleeping positions)	4			
Overall Length (no ladder)	7.84m / 25'9"			
Overall Width (mirrors folded)	2.38m / 7'10"			
Overall Height	2.89m / 9'6"			
Maximum Technical Permissible Laden Mass (A)	4500kg			
Mass in Running Order (B)	3477kg Est	3495kg Est	3477kg Est	3495kg Est
Maximum User Payload (A-B)	1023kg	1005kg	1023kg	1005kg
Unladen Weight	3312kg Est	3330kg Est	3312kg Est	3330kg Est
Essential Habitation Equipment	0kg			
Thermal Insulation Grade	THREE			
Front Double	194cm x 133cm / 106cm / 6'4" x 4'4" / 3'6"			
Rear Double	180cm x 143cm / 5'11" x 4'8"			
Rear Nearside Single				
Rear Offside Single				
Drop Down Bed				

**NOTE: 1. The Maximum User Payload** includes:

- conventional load** (this is the allowance for passengers)
- essential habitation equipment** (items and fluids required for safe and proper functioning of habitation equipment)
- optional equipment** (items available from the manufacturer over and above the standard specification)
- personal effects** (those items not covered by the above)

2. The **Mass in Running Order** is the mass of the unladen vehicle including a 75kg allowance for the driver plus engine coolants and 90% of the fuel tank and 1 x 6kg Calor Lite cylinder.

- The MRO is calculated with the fresh water tank empty. If you travel with water in the fresh water tank then the payload will reduce accordingly.
- PLEASE TAKE CARE TO ENSURE THAT YOU HAVE ALLOWED FOR THE MASSES OF ALL ITEMS YOU INTEND TO CARRY IN THE MOTOR CARAVAN, e.g. passengers, optional equipment, essential habitation equipment and personal effects, such as clothing, food, pets, bicycles, sailboards, s equipment etc.

5. **WARNING** - UNDER NO CIRCUMSTANCES SHOULD THE MAXIMUM TECHNICAL PERMISSIBLE LADEN MASS OF THIS MOTOR CARAVAN BE EXCEEDED.

Est = Estimated

# Dealer Special Editions based on Kon-Tiki

Model	Kon-Tiki 874 Standard	Kon-Tiki 874 Optional	Kon-Tiki 874 Optional	Kon-Tiki 874 Optional
<b>Dealer</b>				
Lowdhams	Kon-Tiki 874 Grand Prix			
Roof Profile	Low Line Pod			
Engine	160 MJT	160 MJT Auto	180 MJT	180 MJT Auto
Engine Capacity	2.2ltr			
Max Power	160 HP @ 3500rpm		180 HP @ 3500rpm	
Torque	380 Nm @ 1500rpm	400 Nm @ 1500rpm	380 Nm @ 1500rpm	450 Nm @ 1500rpm
Chassis	Fiat / AL-KO Chassis			
Wheel base	4.70m / 0.8m - 15'5" / 2'7"			
Designated Passenger Seats (excluding Driver)	4			
Berths (sleeping positions)	6			
Overall Length (no ladder)	8.96m / 29'5" Est			
Overall Width (mirrors folded)	2.38m / 7'10"			
Overall Height	2.91cm / 9'6" Est			
Maximum Technical Permissible Laden Mass (A)	5000kg			
Mass in Running Order (B)	3942kg Est	3960kg Est	3942kg Est	3960kg Est
Maximum User Payload (A-B)	1058kg	1040kg	1058kg	1040kg
Unladen Weight	3777kg Est	3795kg Est	3777kg Est	3795kg Est
Essential Habitation Equipment	0kg			
Thermal Insulation Grade	THREE			
<b>Bed Sizes</b>				
Front Double	194cm x 150cm / 136cm / 6'4" x 4'11" / 4'6"			
Rear Double	203cm x 183cm / 6'8" x 6'0"			
Rear Nearside Single				
Rear Offside Single				
Drop Down Bed	189cm x 150cm / 6'2" x 4'11"			

**NOTE: 1. The Maximum User Payload** includes:

- the **conventional load** (this is the allowance for passengers)
- essential habitation equipment** (items and fluids required for safe and proper functioning of habitation equipment)
- optional equipment** (items available from the manufacturer over and above the standard specification)
- personal effects** (those items not covered by the above)

2. The **Mass in Running Order** is the mass of the unladen vehicle including a 75kg allowance for the driver plus engine coolants and 90% of the fuel tank and 1 x 6kg Calor Lite cylinder.

- The MRO is calculated with the fresh water tank empty. If you travel with water in the fresh water tank then the payload will reduce accordingly.
- PLEASE TAKE CARE TO ENSURE THAT YOU HAVE ALLOWED FOR THE MASSES OF ALL ITEMS YOU INTEND TO CARRY IN THE MOTOR CARAVAN, e.g. passengers, optional equipment, essential habitation equipment and personal effects, such as clothing, food, pets, bicycles, sailboards, s equipment etc.

5. **WARNING - UNDER NO CIRCUMSTANCES SHOULD THE MAXIMUM TECHNICAL PERMISSIBLE LADEN MASS OF THIS MOTOR CARAVAN BE EXCEEDED.**

Est = Estimated



# Dealer Special Editions based on Kon-Tiki

Model	Kon-Tiki 884 Standard	Kon-Tiki 884 Optional	Kon-Tiki 884 Optional	Kon-Tiki 884 Optional
<b>Dealer</b>				
Lowdhams	Kon-Tiki 884 Grand Prix			
Roof Profile	Low Line Pod			
Engine	160 MJT	160 MJT Auto	180 MJT	180 MJT Auto
Engine Capacity	2.2ltr			
Max Power	160 HP @ 3500rpm		180 HP @ 3500rpm	
Torque	380 Nm @ 1500rpm	400 Nm @ 1500rpm	380 Nm @ 1500rpm	450 Nm @ 1500rpm
Chassis	Fiat / AL-KO Chassis			
Wheel base	4.70m / 0.8m - 15'5" / 2'7"			
Designated Passenger Seats (excluding Driver)	3			
Berths (sleeping positions)	4			
Overall Length (no ladder)	8.96m / 29'5" Est			
Overall Width (mirrors folded)	2.38m / 7'10"			
Overall Height	2.92m / 9'7" Est			
Maximum Technical Permissible Laden Mass (A)	5000kg Est			
Mass in Running Order (B)	3765kg Est	3783kg Est	3356kg Est	3783kg Est
Maximum User Payload (A-B)	1235kg	1217kg	1644kg	1217kg
Unladen Weight	3600kg Est	3618kg Est	3202kg Est	3618kg Est
Essential Habitation Equipment	0kg			
Thermal Insulation Grade	THREE			
<b>Bed Sizes</b>				
Front Double	194cm x 186cm / 150cm / 6'4" x 6'1" / 4'11"			
Rear Double	206cm x 115cm / 6'9" x 3'9"			
Rear Nearside Single	195cm x 78cm / 6'5" x 2'7"			
Rear Offside Single	195cm x 78cm / 6'5" x 2'7"			
Drop Down Bed				

**NOTE: 1. The Maximum User Payload** includes:

- the **conventional load** (this is the allowance for passengers)
- essential habitation equipment** (items and fluids required for safe and proper functioning of habitation equipment)
- optional equipment** (items available from the manufacturer over and above the standard specification)
- personal effects** (those items not covered by the above)

2. The **Mass in Running Order** is the mass of the unladen vehicle including a 75kg allowance for the driver plus engine coolants and 90% of the fuel tank and 1 x 6kg Calor Lite cylinder.

- The MRO is calculated with the fresh water tank empty. If you travel with water in the fresh water tank then the payload will reduce accordingly.
- PLEASE TAKE CARE TO ENSURE THAT YOU HAVE ALLOWED FOR THE MASSES OF ALL ITEMS YOU INTEND TO CARRY IN THE MOTOR CARAVAN, e.g. passengers, optional equipment, essential habitation equipment and personal effects, such as clothing, food, pets, bicycles, sailboards, s equipment etc.

5. **WARNING** - UNDER NO CIRCUMSTANCES SHOULD THE MAXIMUM TECHNICAL PERMISSIBLE LADEN MASS OF THIS MOTOR CARAVAN BE EXCEEDED.

Est = Estimated

# Dealer Special Editions based on Kon-Tiki

Model	Kon-Tiki 894 Standard	Kon-Tiki 894 Optional	Kon-Tiki 894 Optional	Kon-Tiki 894 Optional
<b>Dealer</b>				
Lowdhams	Kon-Tiki 894 Grand Prix			
Roof Profile	Low Line Pod			
Engine	160 MJT	160 MJT Auto	180 MJT	180 MJT Auto
Engine Capacity	2.2ltr			
Max Power	160 HP @ 3500rpm		180 HP @ 3500rpm	
Torque	380 Nm @ 1500rpm	400 Nm @ 1500rpm	380 Nm @ 1500rpm	450 Nm @ 1500rpm
Chassis	Fiat / AL-KO Chassis			
Wheel base	4.70m / 0.8m - 15'5" / 2'7"			
Designated Passenger Seats (excluding Driver)	3			
Berths (sleeping positions)	4			
Overall Length (no ladder)	8.96m / 29'5" Est			
Overall Width (mirrors folded)	2.38m / 7'10"			
Overall Height	2.92m / 9'7" Est			
Maximum Technical Permissible Laden Mass (A)	5000kg Est			
Mass in Running Order (B)	3802kg Est	3820kg Est	3802kg Est	3820kg Est
Maximum User Payload (A-B)	1198kg	1180kg	1198kg	1180kg
Unladen Weight	3637kg Est	3655kg Est	3637kg Est	3655kg Est
Essential Habitation Equipment	0kg			
Thermal Insulation Grade	THREE			
<b>Bed Sizes</b>				
Front Double	194cm x 186cm / 150cm / 6'4" x 6'1" / 4'11"			
Rear Double	195cm x 143cm / 6'5" x 4'8"			
Rear Nearside Single				
Rear Offside Single				
Drop Down Bed				

**NOTE:** 1. **The Maximum User Payload** includes:

- the **conventional load** (this is the allowance for passengers)
- essential habitation equipment** (items and fluids required for safe and proper functioning of habitation equipment)
- optional equipment** (items available from the manufacturer over and above the standard specification)
- personal effects** (those items not covered by the above)

2. The **Mass in Running Order** is the mass of the unladen vehicle including a 75kg allowance for the driver plus engine coolants and 90% of the fuel tank and 1 x 6kg Calor Lite cylinder.

- The MRO is calculated with the fresh water tank empty. If you travel with water in the fresh water tank then the payload will reduce accordingly.
- PLEASE TAKE CARE TO ENSURE THAT YOU HAVE ALLOWED FOR THE MASSES OF ALL ITEMS YOU INTEND TO CARRY IN THE MOTOR CARAVAN, e.g. passengers, optional equipment, essential habitation equipment and personal effects, such as clothing, food, pets, bicycles, sailboards, s equipment etc.

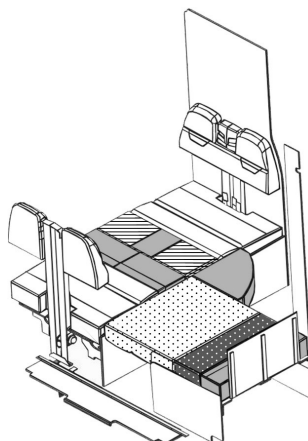
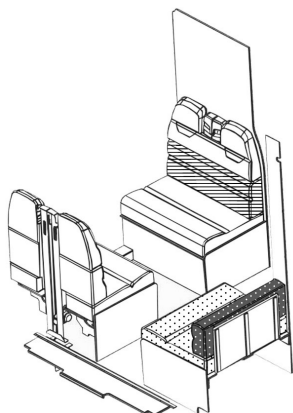
5. **WARNING** - UNDER NO CIRCUMSTANCES SHOULD THE MAXIMUM TECHNICAL PERMISSIBLE LADEN MASS OF THIS MOTOR CARAVAN BE EXCEEDED.

Est = Estimated

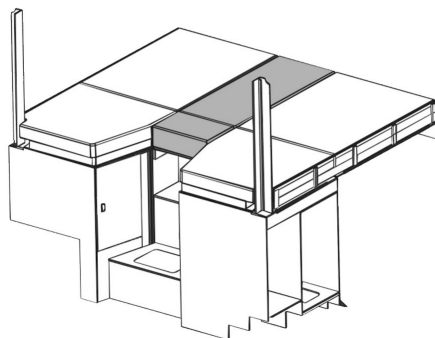
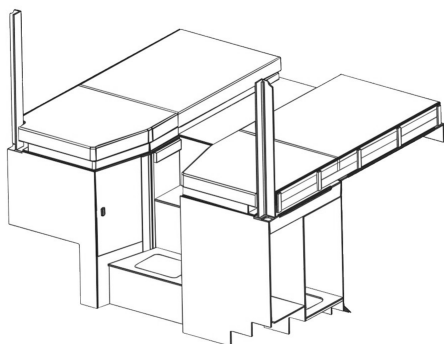


# Edge bed make up

## Bed make up in Edge 476 front bed

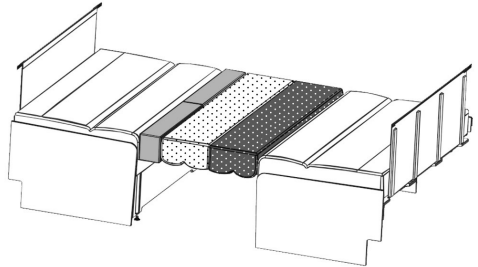
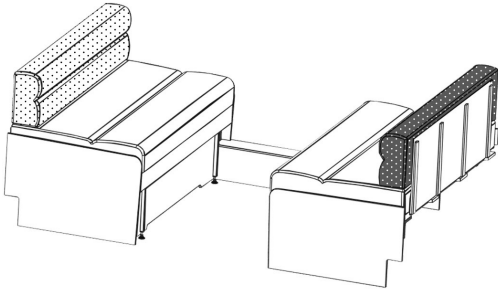


## Bed make up in Edge 476 rear bed

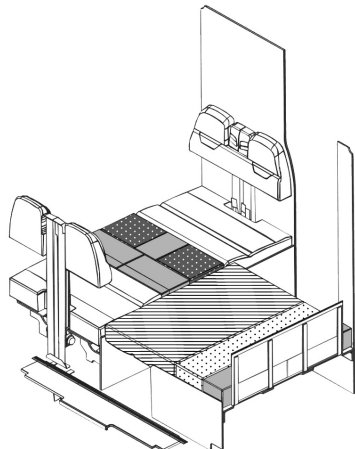
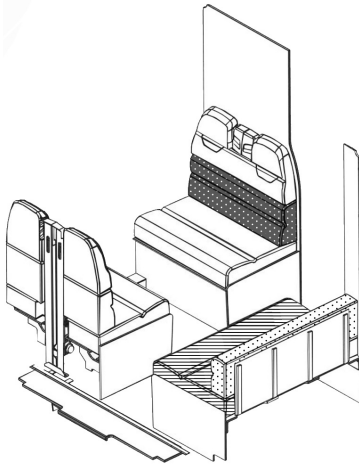


# Edge bed make up

## Bed make up in Edge 486 Rear bed

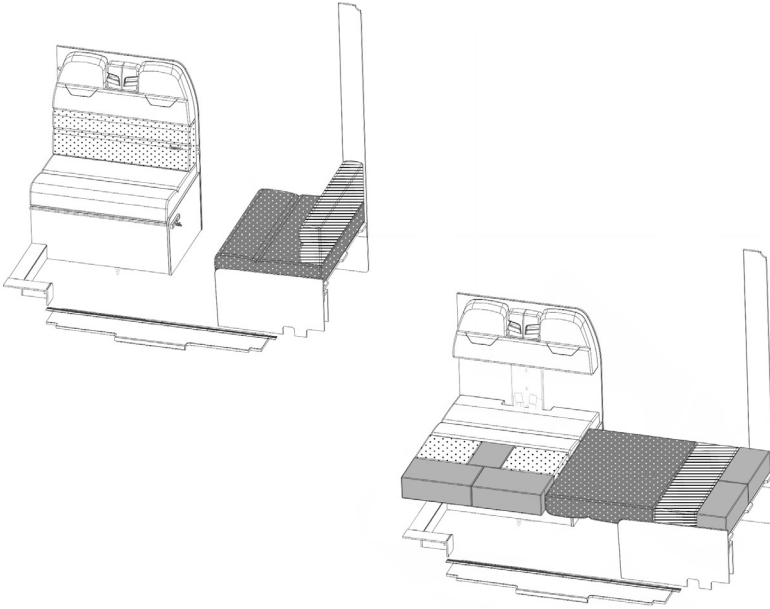


## Bed make up in Edge 466 & 486 front bed



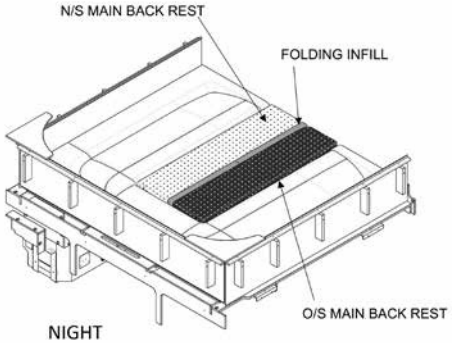
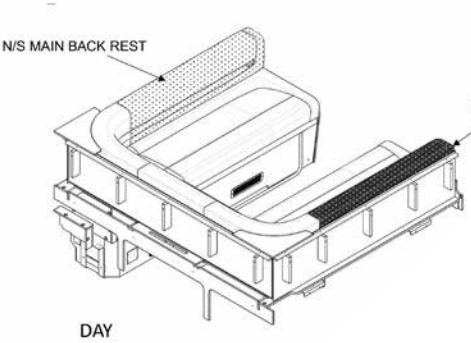
# Edge and Select Compact bed make up

## Bed make up in Edge 464 and 494 front bed



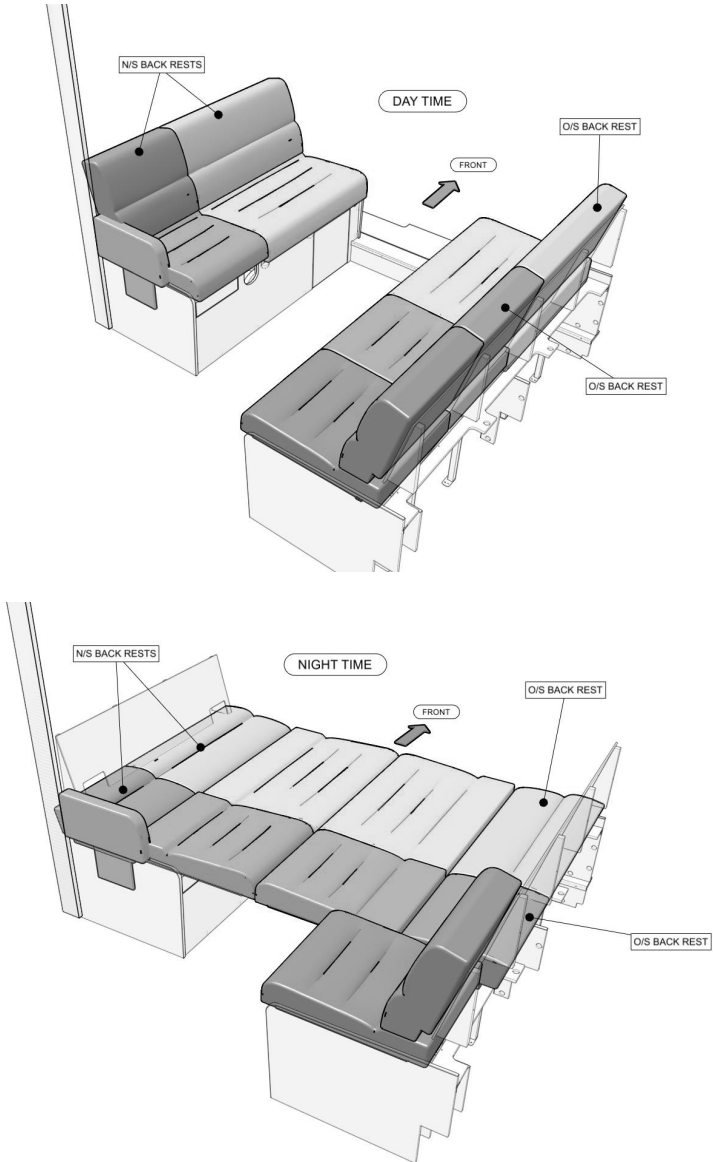
# Select Compact bed make up

## Bed make up in Select Compact C404 & C500 rear bed



# Escape and Kon-Tiki bed make up

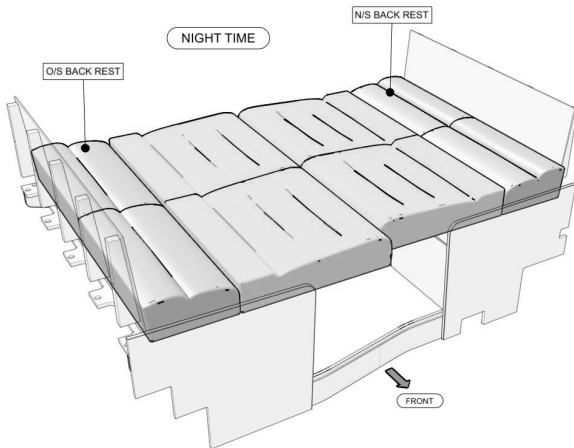
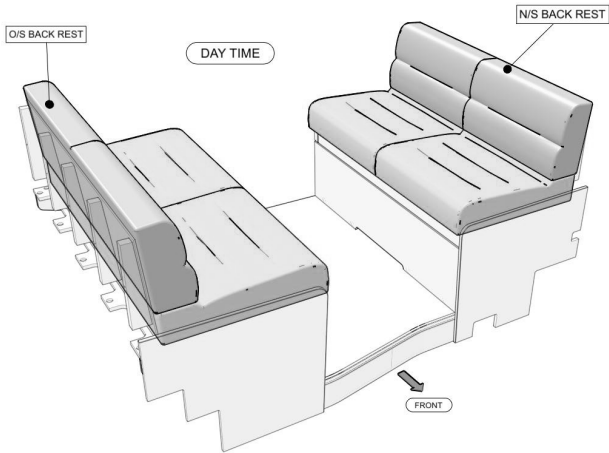
## Bed make up in Escape 674 and Kon-Tiki 774 front bed





# Escape and Kon-Tiki bed make up

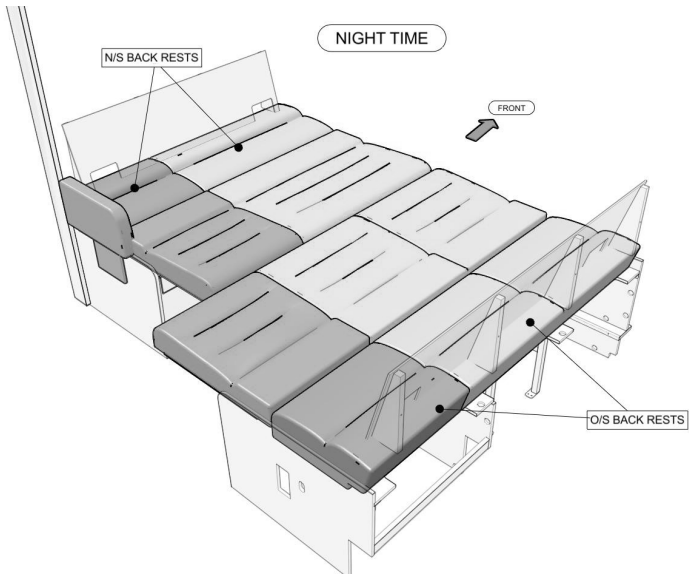
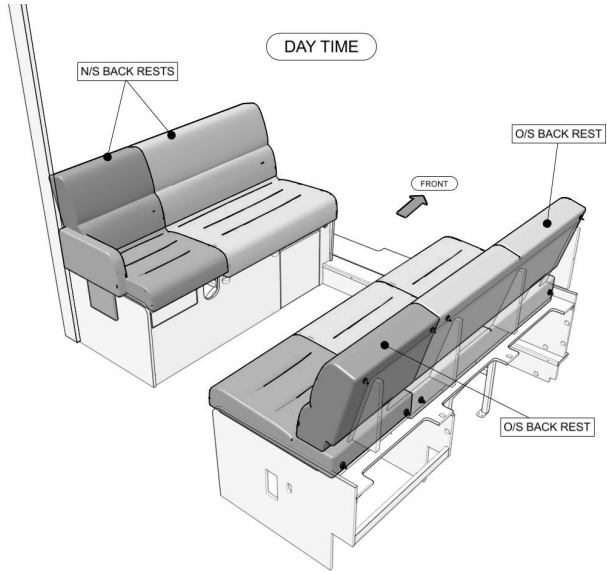
## Bed make up in Escape 674 and Kon-Tiki 774 rear bed



# Escape and Kon-Tiki bed make up

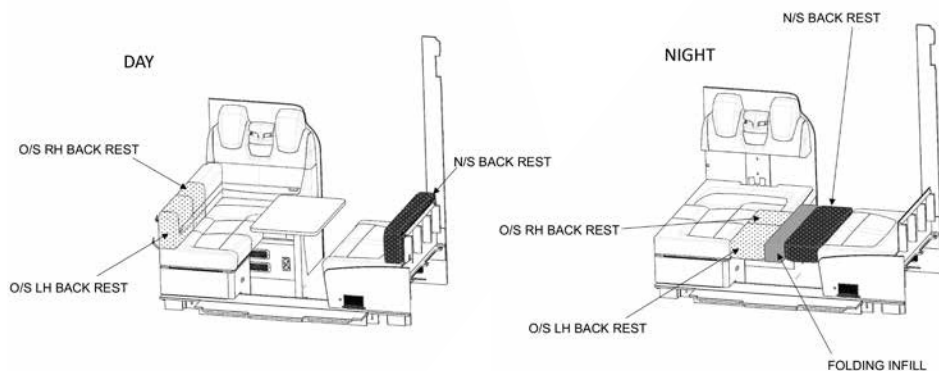
**Bed make up in Escape 640, 664, 684 and 694 front bed**

**Bed make up Kon-Tiki 764, 784, 794, 884 and 894 front bed**

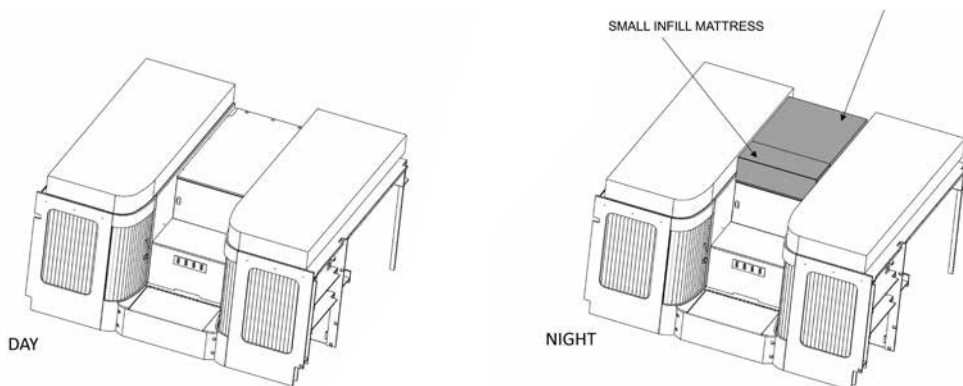


# Kon-Tiki bed make up

## Bed make up in Kon-Tiki 984 and 994 front bed



## Bed make up in Kon-Tiki 984 rear bed





**SWIFT**  
CREATING SMILES FOR LIFE

---

## **SWIFT GROUP**

Dunswell Road  
Cottingham  
East Yorkshire  
HU16 4JX

**Tel:** 01482 875740

**Fax:** 01482 840082

### **Customer Experience Team**

[enquiries@swiftleisure.co.uk](mailto:enquiries@swiftleisure.co.uk)

FIND OUT MORE AT **SWIFTGROUP.CO.UK**



Brochure



Layouts



Dealer



Video



Social