



**Swift Group**  
Dunswell Road  
Cottingham  
East Yorkshire HU16 4JX  
Tel **01482 847332**  
Fax **01482 841042**  
email [enquiry@swiftgroup.co.uk](mailto:enquiry@swiftgroup.co.uk)

For more information visit  
[www.swiftgroup.co.uk](http://www.swiftgroup.co.uk)

Issued July 2014

## Swift Esprit & Bessacarr Technical Handbook

---



Specifications ..... 2

Capacities ..... 9

Towing Capabilities ..... 10

Jacking ..... 12

Wiring Diagrams ..... 13

Bulb Chart ..... 19

Bulb Replacement..... 20



# Specifications

Model	Esprit 484 Standard	Bessacarr 484 Standard	Esprit 484 Optional	Bessacarr 484 Optional
Roof Profile	Low Line		Low Line	
Engine	130 MJT		130 MJT AUTO	
Engine Capacity	2287cc		2287cc	
Max Power	96kW @ 3600rpm		96kW @ 3600rpm	
Torque	320 @ 1800 rpm		320 @ 1800rpm	
Chassis	LWB Fiat Low Line Chassis		LWB Fiat Low Line Chassis	
Wheel base	4.04m/13'3"			
Designated Passenger Seats excluding Driver	3			
Berths (sleeping positions)	4			
Overall Length (no ladder)**	7.08m/23'3"			
Overall Width (mirrors folded)	2.38m/7'10"			
Overall Height**	2.82m/9'3"			
Maximum Technical Permissible Laden Mass (A)	3500kg			
Mass in Running Order (B)	3067kg	3094kg	3084kg	3111kg
Maximum User Payload (A-B)	433kg	406kg	416kg	389kg
Unladen Weight	2892kg	2919kg	2909kg	2936kg
Essential Habitation Equipment	10kg			
Thermal Insulation Grade	THREE			
<b>Bed Sizes</b>				
Front Double	2.13m x 1.23m/1.04m/7'0" x 4'0"/3'5"			
Front Nearside Single				
Front Offside Single				
Rear Double	1.99m x 1.30m/6'6" x 4'3"			
Rear Nearside Single				
Rear Offside Single				
Overcab Bed				

Esprit 454 Standard	Bessacarr 454 Standard	Esprit 454 Optional	Bessacarr 454 Optional
Low Line		Low Line	
130 MJT		130 MJT AUTO	
2287cc		2287cc	
96kW @ 3600rpm		96kW @ 3600rpm	
320 @ 1800rpm		320 @ 1800rpm	
LWB Fiat Low Line Chassis		LWB Fiat Low Line Chassis	
4.04m/13'3"			
3			
4			
7.08m/23'3"			
2.38m/7'10"			
2.82m/9'3"			
3650kg			
3064kg	3091kg	3081kg	3108kg
586kg	559kg	569kg	542kg
2889kg	2916kg	2906kg	2933kg
10kg			
THREE			
2.13m x 1.23m/1.04m/7'0" x 4'0"/3'5"			
1.91m x 1.33m/6'3" x 4'4"			

**NOTE:** 1. The **Maximum User Payload** includes:

- a) the **conventional load** (this is the allowance for passengers)
- b) **essential habitation equipment** (items and fluids required for safe and proper functioning of habitation equipment)
- c) **optional equipment** (items available from the manufacturer over and above the standard specification)
- d) **personal effects** (those items not covered by the above)

2. The **Mass in Running Order** is the mass of the unladen vehicle including a 75kg allowance for the driver plus engine coolants and 90% of the fuel tank and 100% gas capacity.  
The MRO is calculated with the fresh water tank empty. If you travel with water in the fresh water tank then the payload will reduce accordingly.

3. PLEASE TAKE CARE TO ENSURE THAT YOU HAVE ALLOWED FOR THE MASSES OF ALL ITEMS YOU INTEND TO CARRY IN THE MOTOR CARAVAN, e.g. passengers, optional equipment, essential

habitation equipment and personal effects, such as clothing, food, pets, bicycles, sailboards, sports equipment etc.

4. **WARNING** - UNDER NO CIRCUMSTANCES SHOULD THE MAXIMUM TECHNICAL PERMISSIBLE LADEN MASS OF THIS MOTOR CARAVAN BE EXCEEDED.

\* Estimated

\*\* For optional roof ladder add 125mm to length and 40mm to Low Line height.

# Specifications

Model	Esprit 442 Standard	Bessacarr 442 Standard	Esprit 442 Optional	Bessacarr 442 Optional
Roof Profile	Low Line		Low Line	
Engine	130 MJT		130 MJT AUTO	
Engine Capacity	2287cc		2287cc	
Engine Power	96kW @ 3600rpm		96kW @ 3600rpm	
Torque	320 @ 1800rpm		320 @ 1800rpm	
Chassis	LWB Fiat Low Line Chassis		LWB Fiat Low Line Chassis	
Wheel base	4.04m/13'3"			
Designated Passenger Seats excluding Driver	1			
Berths (sleeping positions)	2			
Overall Length (no ladder)**	7.36m/24'2"			
Overall Width (mirrors folded)	2.38m/7'10"			
Overall Height**	2.82m/9'3"			
Maximum Technical Permissible Laden Mass (A)	3500kg			
Mass in Running Order (B)	3048kg	3075kg	3065kg	3092kg
Maximum User Payload (A-B)	452kg	425kg	435kg	408kg
Unladen Weight	2873kg	2900kg	2890kg	2917kg
Essential Habitation Equipment	10kg			
Thermal Insulation Grade	THREE			
<b>Bed Sizes</b>				
Front Double	2.11m x 1.42m/6'8" x 4'8"			
Front Nearside Single	1.88m x 0.70m/6'2" x 2'4"			
Front Offside Single	1.88m x 0.70m/6'2" x 2'4"			
Rear Double				
Rear Nearside Single				
Rear Offside Single				
Overcab Bed				

Esprit 442 Standard Optional MTPLM	Bessacarr 442 Standard Optional MTPLM	Esprit 442 Optional Optional MTPLM	Bessacarr 442 Optional Optional MTPLM	Esprit 494 Standard	Bessacarr 494 Standard	Esprit 494 Optional	Bessacarr 494 Optional
Low Line		Low Line		High Line		High Line	
130 MJT		130 MJT AUTO		130 MJT		130 MJT AUTO	
2287cc		2287cc		2287cc		2287cc	
96kW @ 3600rpm		96kW @ 3600rpm		96kW @ 3600rpm		96kW @ 3600rpm	
320 @ 1800rpm		320 @ 1800rpm		320 @ 1800rpm		320 @ 1800rpm	
LWB Fiat Low Line Chassis		LWB Fiat Low Line Chassis		Fiat/AL-KO Low Line Chassis		Fiat/AL-KO Low Line Chassis	
4.04m/13'3"				4.48m/14'8"			
1				3			
2				4			
7.36m/24'2"				7.75m/25'5"			
2.38m/7'10"				2.38m/7'10"			
2.82m/9'3"				2.76m/9'1"			
3500kg				3700kg			
3048kg	3075kg	3065kg	3092kg	3156kg	3183kg	3173kg	3200kg
602kg	575kg	585kg	558kg	544kg	517kg	527kg	500kg
2873kg	2900kg	2890kg	2917kg	2981kg	3008kg	2998kg	3025kg
10kg				10kg			
THREE				THREE			
2.11m x 1.42m/6'8" x 4'8"				2.13m x 1.23m/1.04m/7'0" x 4'0"/3'5"			
1.88m x 0.70m/6'2" x 2'4"							
1.88m x 0.70m/6'2" x 2'4"							
				1.85m x 1.33m/6'1" x 4'4"			

**NOTE:** 1. The **Maximum User Payload** includes:  
a) the **conventional load** (this is the allowance for passengers)

b) **essential habitation equipment** (items and fluids required for safe and proper functioning of habitation equipment)

c) **optional equipment** (items available from the manufacturer over and above the standard specification)

d) **personal effects** (those items not covered by the above)

2. The **Mass in Running Order** is the mass of the unladen vehicle including a 75kg allowance for the driver plus engine coolants and 90% of the fuel tank and 100% gas capacity.

The MRO is calculated with the fresh water tank empty. If you travel with water in the fresh water tank then the payload will reduce accordingly.

3. PLEASE TAKE CARE TO ENSURE THAT YOU HAVE ALLOWED FOR THE MASSES OF ALL ITEMS YOU INTEND TO CARRY IN THE MOTOR CARAVAN, e.g. passengers, optional equipment, essential

habitation equipment and personal effects, such as clothing, food, pets, bicycles, sailboards, sports equipment etc.

4. **WARNING** - UNDER NO CIRCUMSTANCES SHOULD THE MAXIMUM TECHNICAL PERMISSIBLE LADEN MASS OF THIS MOTOR CARAVAN BE EXCEEDED.

\* Estimated

\*\* For optional roof ladder add 125mm to length and 40mm to Low Line height.

# Specifications

Model	Esprit 496 Standard	Bessacarr 496 Standard	Esprit 496 Optional	Bessacarr 496 Optional
Roof Profile	High Line		High Line	
Engine	130 MJT		130 MJT AUTO	
Engine Capacity	2287cc		2287cc	
Engine Power	96kW @ 3600rpm		96kW @ 3600rpm	
Torque	320 @ 1800rpm		320 @ 1800rpm	
Chassis	Fiat/AL-KO Low Line Chassis		Fiat/AL-KO Low Line Chassis	
Wheel base	4.70m/15'5"			
Designated Passenger Seats excluding Driver	5			
Berths (sleeping positions)	6			
Overall Length (no ladder)**	7.75m/25'5"			
Overall Width (mirrors folded)	2.38m/7'10"			
Overall Height**	2.82m/9'3"			
Maximum Technical Permissible Laden Mass (A)	4250kg			
Mass in Running Order (B)	3293kg	3320kg	3310kg	3337kg
Maximum User Payload (A-B)	957kg	930kg	940kg	913kg
Unladen Weight	3118kg	3145kg	3135kg	3162kg
Essential Habitation Equipment	10kg			
Thermal Insulation Grade	THREE			
<b>Bed Sizes</b>				
Front Double	2.13m x 1.80m/1.21m/7'0" x 5'11"/4'0"			
Front Nearside Single				
Front Offside Single	1.80m x 0.92m/5'11" x 3'0"			
Rear Double	2.11m x 1.67m/6'11" x 5'6"			
Rear Nearside Single	1.86m x 0.66m/6'1" x 2'2"			
Rear Offside Single	1.67m x 0.66m/5'6" x 2'2"			
Overcab Bed	1.95m x 1.30m/6'5" x 4'3"			

**NOTE:** 1. The **Maximum User Payload** includes:

- a) the **conventional load** (this is the allowance for passengers)
- b) **essential habitation equipment** (items and fluids required for safe and proper functioning of habitation equipment)
- c) **optional equipment** (items available from the manufacturer over and above the standard specification)
- d) **personal effects** (those items not covered by the above)

2. The **Mass in Running Order** is the mass of the unladen vehicle including a 75kg allowance for the driver plus engine coolants and 90% of the fuel tank and 100% gas capacity.  
The MRO is calculated with the fresh water tank empty. If you travel with water in the fresh water tank then the payload will reduce accordingly.

3. PLEASE TAKE CARE TO ENSURE THAT YOU HAVE ALLOWED FOR THE MASSES OF ALL ITEMS YOU INTEND TO CARRY IN THE MOTOR CARAVAN, e.g. passengers, optional equipment, essential

habitation equipment and personal effects, such as clothing, food, pets, bicycles, sailboards, sports equipment etc.

4. **WARNING** - UNDER NO CIRCUMSTANCES SHOULD THE MAXIMUM TECHNICAL PERMISSIBLE LADEN MASS OF THIS MOTOR CARAVAN BE EXCEEDED.

\* Estimated

\*\* For optional roof ladder add 125mm to length and 40mm to Low Line height.

# Capacities

## Water Tank Capacities

	Fresh Water Tank	Waste Water Tank	Water Heater
Esprit / Bessacarr	90 litre	68 litre	10 litre
Esprit 462 Bessacarr 462	94 litre	60 litre	10 litre

## Gas Capacities

	Capacity
Esprit / Bessacarr	2 x 7kg

The above are recommended gas bottle sizes

**NOTICE : For technical data on the base vehicle please refer to manufacturer's handbook**

# Towing Capabilities

## Esprit / Bessacarr Towing Capabilities

Model	Engine / Chassis
Esprit 412 / Bessacarr 412	130MJT (2.3L)
Esprit 412 / Bessacarr 412	130MJT (2.3L) AUTO
Esprit 424 / Bessacarr 424	130MJT (2.3L)
Esprit 424 / Bessacarr 424	130MJT (2.3L) AUTO
Esprit 462 / Bessacarr 462	130MJT (2.3L)
Esprit 462 / Bessacarr 462	130MJT (2.3L) AUTO
Esprit 484 / Bessacarr 484	130MJT (2.3L)
Esprit 484 / Bessacarr 484	130MJT (2.3L) AUTO
Esprit 454 / Bessacarr 454	130MJT (2.3L)
Esprit 454 / Bessacarr 454	130MJT (2.3L) AUTO
Esprit 442 / Bessacarr 442	130MJT (2.3L)
Esprit 442 / Bessacarr 442	130MJT (2.3L) AUTO
Esprit 442 / Bessacarr 442	130MJT (2.3L)
Esprit 442 / Bessacarr 442	130MJT (2.3L) AUTO
Esprit 494 / Bessacarr 494	130MJT (2.3L)
Esprit 494 / Bessacarr 494	130MJT (2.3L) AUTO
Esprit 496 / Bessacarr 496	130MJT (2.3L)
Esprit 496 / Bessacarr 496	130MJT (2.3L) AUTO

**CAUTION:** When fitting a towbar, it must meet certain minimum requirements as specified by Type Approval Regulations. The bar will have marked on it the approval standard (94/20/EC or 55RECE) and the maximum download, or noseweight, that it can accept. It must fit the manufacturer's approved mounting points and must not obscure the towing vehicle's number plate.

MTPLM	Permissible Front Axle Load	Permissible Rear Axle Load	Recommended Maximum Trailer Weight	Gross Train Weight
3500kg	1850kg	2000kg	1600kg	5100kg
3500kg	1850kg	2000kg	1600kg	5100kg
3500kg	1850kg	2000kg	1600kg	5100kg
3500kg	1850kg	2000kg	1600kg	5100kg
3500kg	1850kg	2000kg	1600kg	5100kg
3500kg	1850kg	2000kg	1600kg	5100kg
3500kg	1850kg	2000kg	1600kg	5100kg
3500kg	1850kg	2000kg	1600kg	5100kg
3650kg	1850kg	2000kg	1600kg	5250kg
3650kg	1850kg	2000kg	1600kg	5250kg
3500kg	1850kg	2000kg	1600kg	5100kg
3500kg	1850kg	2000kg	1600kg	5100kg
3650kg	1850kg	2000kg	1600kg	5250kg
3650kg	1850kg	2000kg	1600kg	5250kg
3700kg	2100kg	2400kg	2000kg	5700kg
3700kg	2100kg	2400kg	2000kg	5700kg
4250kg	2100kg	2400kg	2000kg	6000kg
4250kg	2100kg	2400kg	2000kg	6000kg

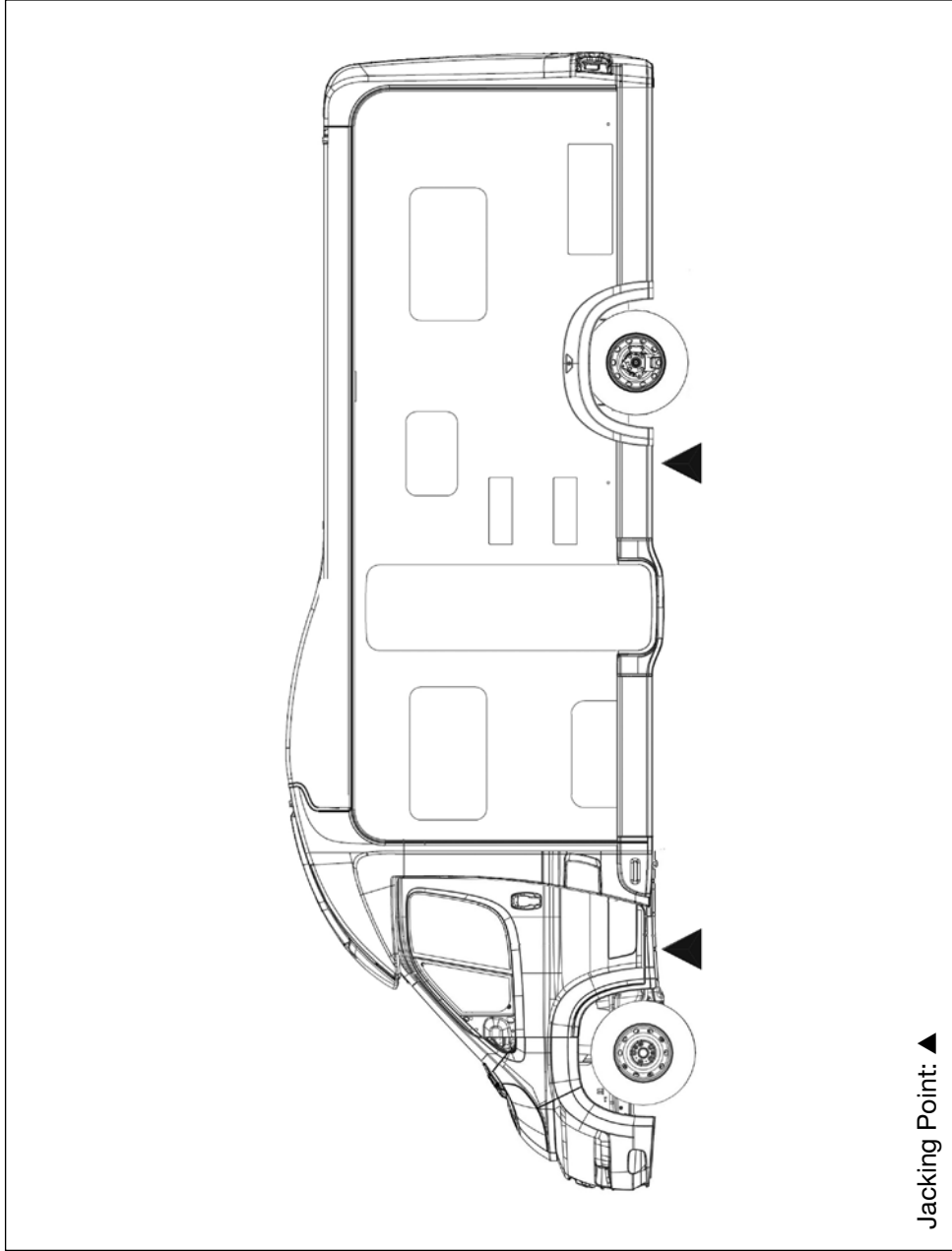
Please note that the additional weight of the tow bar and trailer nose weight increases the rear axle loading of the motor home so care should be taken that the rear axle load is not exceeded when towing.

\*\* With this vehicle configuration it will be necessary to reduce the payload carried inside the van when towing to ensure that the MTPLM and maximum axle loads are not exceeded.

To ensure adequate road holding, the load on the front axle, under all conditions, must not be less than 40% or more than 70% of the total weight.

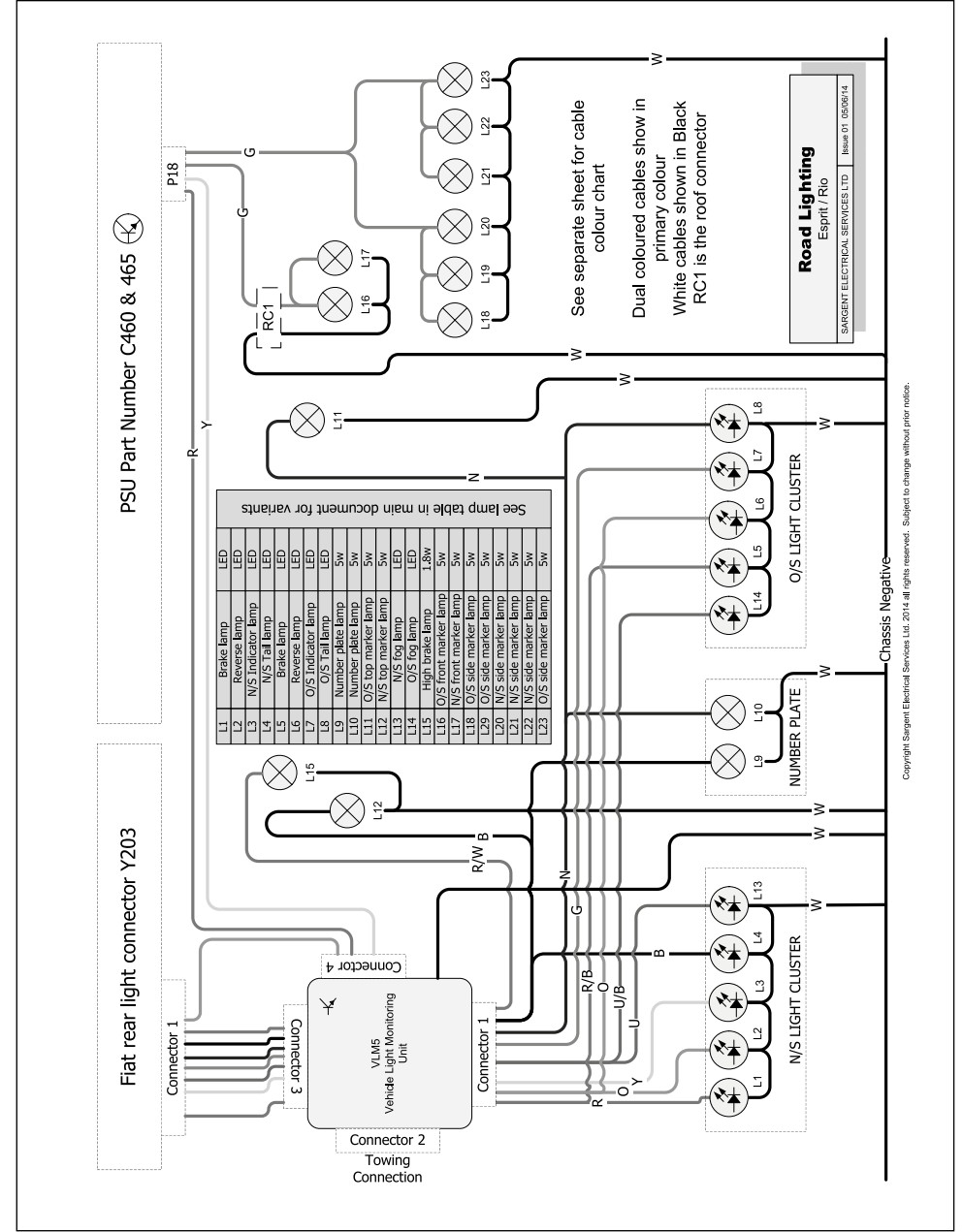
Care must be taken when distributing loads. The loadings and weights above are maximums and must not be exceeded under any circumstances.

Esprit / Bessacarr



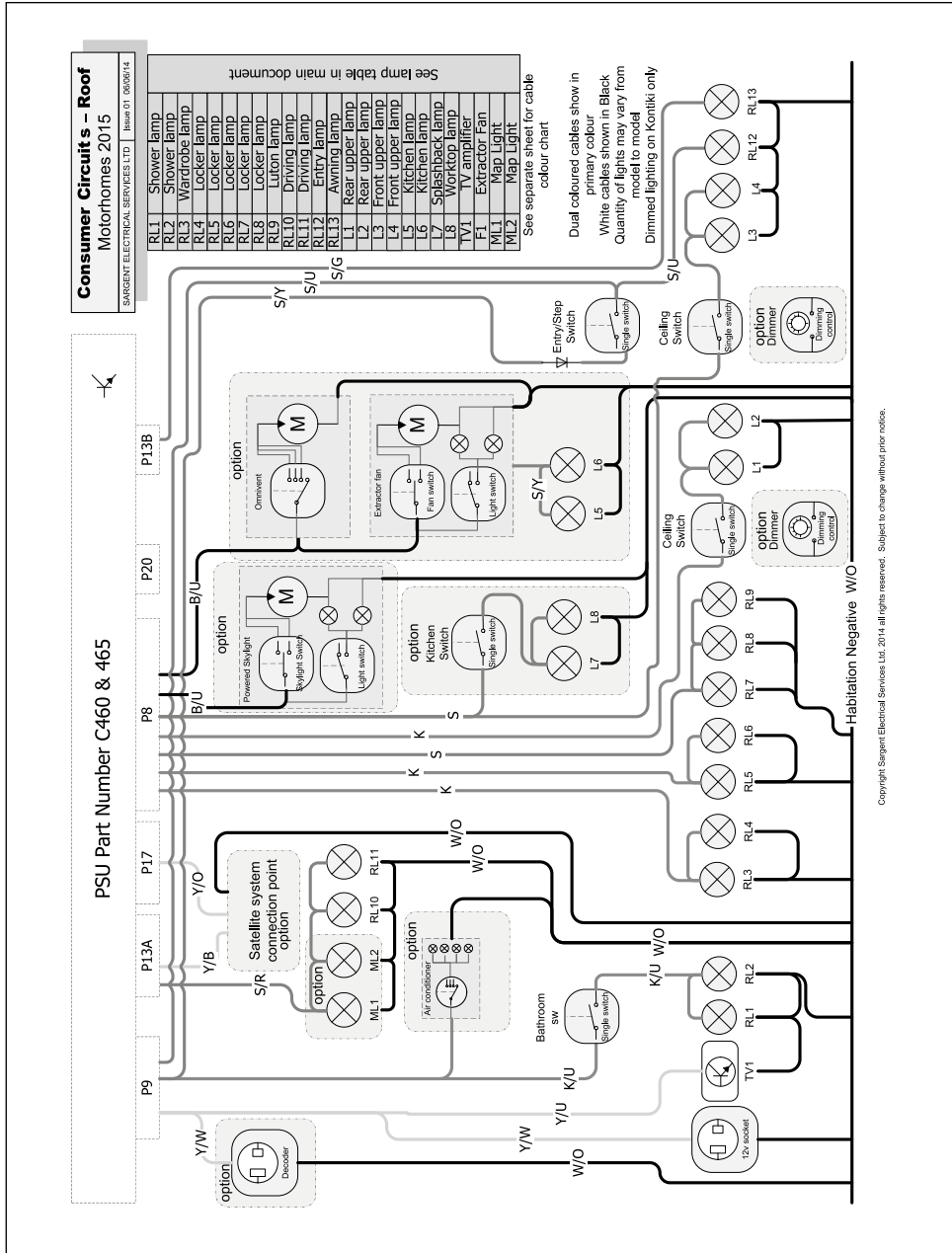
Jacking Point: ▲

Esprit / Bessacarr - Road lighting circuits

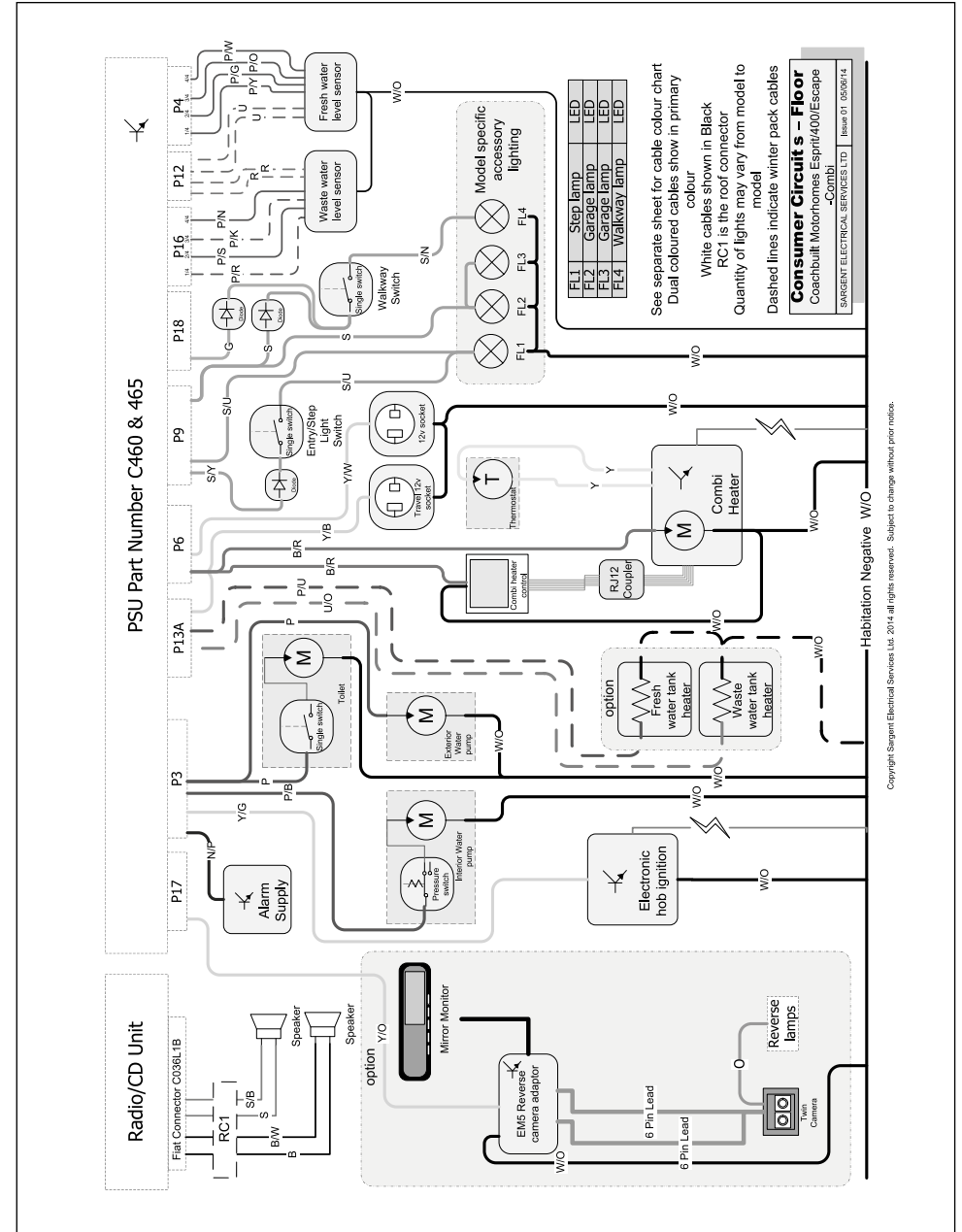




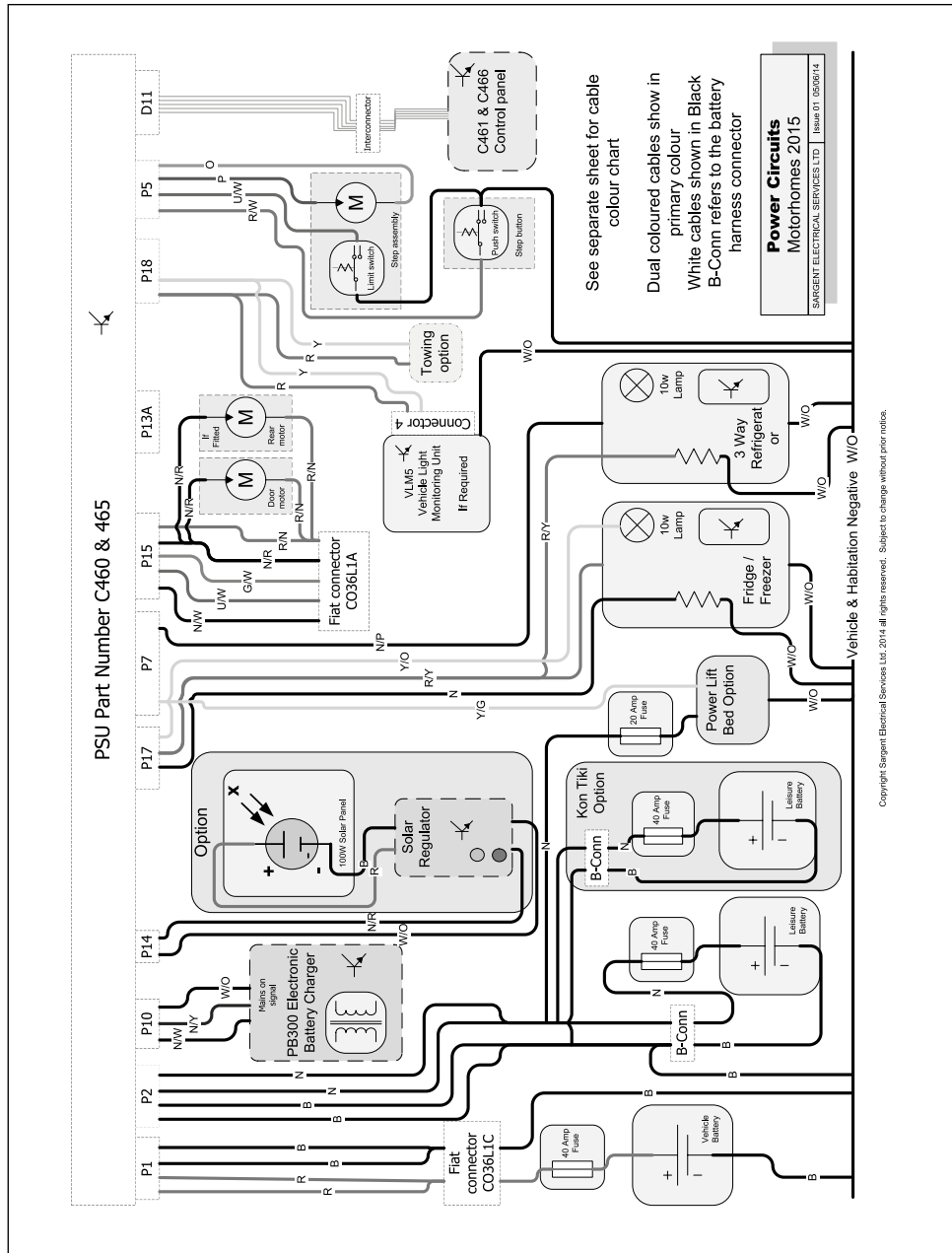
## Esprit / Bessacarr - Roof lighting circuits



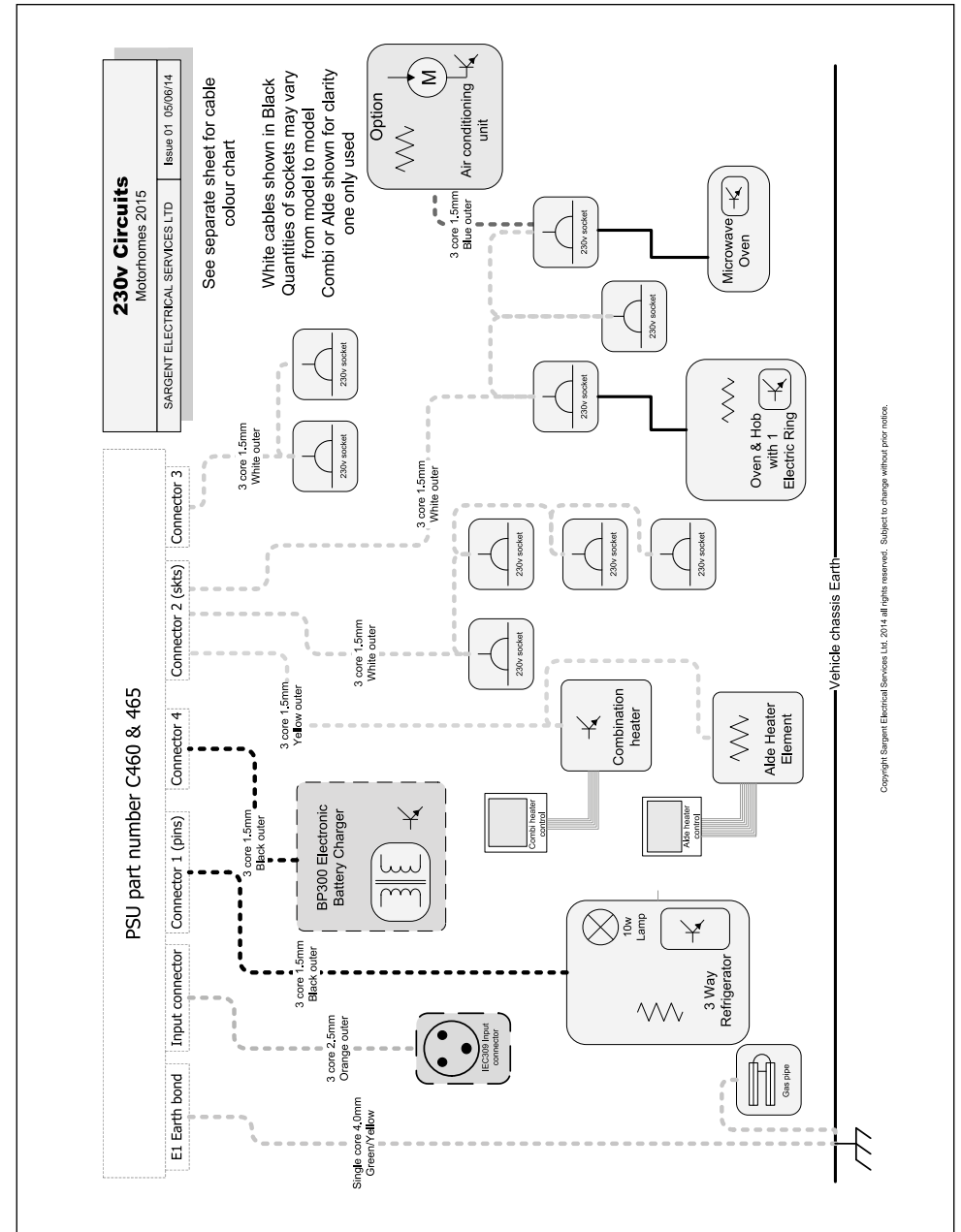
## Esprit / Bessacarr - Consumer Circuits - Floor circuits



## Esprit / Bessacarr - Power circuits



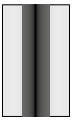
## Esprit / Bessacarr - 230v with combi heating



## Esprit / Bessacarr - Cable Colour Chart

B	N	R	O	Y	G	U	P	S	W	K
BLACK	BROWN	RED	ORANGE	YELLOW	GREEN	BLUE	PURPLE	SLATE GREY	WHITE	PINK

**12v Cable Colours**



**Y/U** Yellow cable with Blue stripe

Example

B	N	W	O	Y	G	U
BLACK	BROWN	WHITE	ORANGE	YELLOW	GREEN	BLUE

**230v Cable Colours**

**Cable Colour Chart**

Swift Group

SARGENT ELECTRICAL SERVICES LTD Issue 01 01/09/08

Copyright Sargent Electrical Services Ltd. 2014. All rights reserved. Subject to change without prior notice.

Road Lights		
Application	Bulb Reference	Bulb Rating
Front marker light	LED complete unit - Britax L98.00.12v & L98.01.12v	12v LED
Side marker light	W5W / Britax LED	12v 5w / 12v LED
Rear high level marker light	LED complete unit - Cobo / Britax	12v LED
Red / White high level side marker	C5W	12v 5w
Rear light cluster (Multi function)	Britax L79.00.12v (LH) & L79.01.12v (RH)	12v LED
Number plate light	C5W	12v 5w
Interior / Other		
Application	Bulb Reference	Bulb Rating
Locker spotlights, LED with dimmer	LED complete lamp FEM1168	12v LED
China locker light	CCFL Complete lamp	12v 4.5w CCFL
B-pillar map reading lamps	LED Complete lamp on 'swan neck' flexible arm	12v LED
Over locker / high level furniture lights	Flexible LED light strip (cut to length) FEM1214	12v LED
Illuminated panel backlighting	Flexible LED light strip (cut to length) FEM1214	12v LED
Downlights	LED complete lamp FEM01189	12v LED
Walkway low level lights	LED complete lamp FEM0993	12v LED
Awning lamp, LED	LED complete lamp FEM0945	12v LED
Step well light	LED complete lamp	12v LED
Wardrobe light	12v Halogen capsule	12v G4 5w

Note: Not all lights feature on all models within a range

## Bulb replacement

### **ESPRIT / BESSACARR ROAD LIGHTING, COACH-BUILT BODY MOUNTED LAMPS**

#### **REAR LIGHT CLUSTERS (CONTAINING INDICATOR, TAIL / STOP, REVERSE AND FOG LAMPS)**

These multi-function lights are LED and have no user serviceable parts inside.

Replacement clusters can be fitted in the following way:

Remove three screws visible around the perimeter of the cluster

Pull the cluster away from the rear panel of the tourer, taking care to not put excessive strain on the electrical connections behind the lamp

Unplug the electrical connection from the rear of the lamp, by releasing the tab and lifting the connector upwards relative to the cluster

Plug the connector back into the replacement lamp, position the lamp into the recess and replace the three fixing screws.

#### **HIGH LEVEL BRAKE LAMP**

These lamps are LED and have no user serviceable parts inside.

Replacements should be undertaken by your dealer, as the lamps are sealed onto the mounting panel.

#### **FRONT AND REAR UPPER MARKER / POSITION LAMPS**

These lamps are LED and have no user serviceable parts inside.

Replacements should be undertaken by your dealer, as the lamps are sealed onto the mounting panel.

#### **SIDE MARKER / POSITION LAMPS**

These lamps are LED and have no user serviceable parts inside.

Replacements should be undertaken by your dealer, as the lamps are sealed onto the mounting panel.