



Touring Caravans



Touring Caravans

Challenger / Conqueror Eccles / Elite

Specification, Wiring Diagrams & Bulb Chart

SWIFT GROUP

Dunswell Road, Cottingham, East Yorkshire, HU16 4JX.

Tel: 01482 875740 Fax: 01482 840082

email: enquiry@swiftgroup.co.uk

website: www.swiftgroup.co.uk

A MEMBER OF THE SWIFT GROUP

1096092 issued July 2011

Contents

Challenger/Eccles specification	3
Conqueror/Elite specification	5
Wiring Diagrams - Road lights	7
Wiring Diagrams - Roof circuits	8
Wiring Diagrams - Floor circuits.....	9
Wiring Diagrams - Conqueror/Elite heating circuits.....	10
Wiring Diagrams - Conqueror/ Elite 230v heating circuits.....	11
Wiring Diagrams - 230v circuits	12
Wiring Diagrams - Power circuits	13
Wiring Diagrams - 13 pin socket	14
Wiring Diagrams - Cable colour chart	15
Bulb Chart	16
Bulb replacement	17

Specification

Challenger	Challenger 480	Challenger 530	Challenger 565
Eccles	Eccles Topaz	Eccles Moonstone	Eccles Solitaire
Berths	2	4	4
Axles	1	1	1
Internal Length (bed box height)	4.74m/15'7"	5.50m/18'1"	5.60m/18'4"
Overall Width	2.31m/7'7"	2.31m/7'7"	2.31m/7'7"
Overall Height (inc. TV Aerial)*	2.62m/8'7"	2.67m/8'9"	2.67m/8'9"
Maximum Internal Headroom	1.95m/6'5"	1.95m/6'5"	1.95m/6'5"
Overall Length	6.46m/21'2"	7.22m/23'8"	7.32m/24'0"
Awning A/A dimension†	9.12m/29'11"	9.88m/32'5"	9.98m/32'9"
Mass in Running Order (inc. tolerance)	1285kg/25.3cwt	1452kg/28.6cwt	1451kg/28.6cwt
Maximum Technical Permissible Laden Mass (Lower limit)	1410kg/27.8cwt	1605kg/31.6cwt	1605kg/31.6cwt
Maximum Technical Permissible Laden Mass (Upper limit)	1500kg/29.5cwt	1650kg/32.5cwt	1650kg/32.5cwt
Total user Payload	125kg/2.5cwt	153kg/3.0cwt	154kg/3.0cwt
Personal Effects	125kg/2.5cwt	153kg/3.0cwt	154kg/3.0cwt
Options	0kg/0cwt	0kg/0cwt	0kg/0cwt
Tyre Size	185 R14C 102Q	195/70 R15C 104R	195/70 R15C 104R
Tyre pressure at Lower limit MTPLM	59 psi/4.1bar	64 psi/4.4bar	64 psi/4.4bar
Tyre pressure at Upper limit MTPLM	64 psi/4.4bar	65 psi/4.5bar	65 psi/4.5bar
Static Load on Coupling Head	100kg	100kg	100kg
Thermal Insulation Grade	THREE	THREE	THREE
Bed Sizes			
Front Double	209cm x 186cm/6'10" x 6'1"	209cm x 176cm/6'10" x 5'9"	209cm x 156cm/6'10" x 5'1"
or Front Nearside Single	186cm x 71cm/6'1" x 2'4"	176cm x 71cm/5'9" x 2'4"	156cm x 71cm/5'1" x 2'4"
and Front Offside Single	186cm x 71cm/6'1" x 2'4"	186cm x 71cm/6'1" x 2'4"	156cm x 71cm/5'1" x 2'4"
Rear Double			
Rear Bunk			
Side Single (offside)		180cm x 69cm/5'11" x 2'3"	192cm x 72cm/6'4" x 2'4"
Side Single (nearside)			183cm x 72cm/6'0" x 2'4"
Side Bunk (offside)		176cm x 59cm/5'9" x 1'11"	

Weights: From the 2011 season the method of calculating the Mass in Running Order (MRO) and user payload figures has changed in order to bring it in line with European Vehicle Directives.

Allowances for essential equipment (e.g. gas cylinders) previously allowed for in the user payload are now contained within the MRO. A provision for a leisure battery which used to be within the essential

equipment payload has now been included within the personal effects payload allowance.

Although the method of calculation has changed, the overall effect is that the amount of payload available to the customer has remained the same, it is just calculated in a different manner

Bed Sizes : Please note that the front double bed sizes quoted are for seating configurations without chest of drawers. The front double bed width for a layout with a chest of drawers fitted will be reduced by 0.4m(1'4") from that stated.

Challenger 570	Challenger 580	Challenger 625
Eccles Ruby	Eccles Quartz	Eccles Amethyst
4	4	6
1	1	2
5.60m/18'4"	5.83m/19'2"	6.27m/20'7"
2.31m/7'7"	2.31m/7'7"	2.31m/7'7"
2.67m/8'9"	2.67m/8'9"	2.62m/8'7"
1.95m/6'5"	1.95m/6'5"	1.95m/6'5"
7.32m/24'0"	7.55m/24'9"	7.99m/26'3"
9.98m/32'9"	10.21m/33'6"	10.65m/34'11"
1446kg/28.5cwt	1454kg/28.6cwt	1634kg/32.2cwt
1600kg/31.5cwt	1610kg/31.7cwt	1814kg/35.7cwt
1650kg/32.5cwt	1650kg/32.5cwt	1900kg/37.4cwt
154kg/3.0cwt	156kg/3.1cwt	180kg/3.5cwt
154kg/3.0cwt	156kg/3.1cwt	180kg/3.5cwt
0kg/0cwt	0kg/0cwt	0kg/0cwt
195/70 R15C 104R	195/70 R15C 104R	185/70 R14 88T
64 psi/4.4bar	65 psi/4.5bar	32 psi/2.2bar
65 psi/4.5bar	65 psi/4.5bar	33 psi/2.3bar
100kg	100kg	100kg
THREE	THREE	THREE
209cm x 156cm/6'10" x 5'1"	209cm x 156cm/6'10" x 5'1"	209cm x 156cm/6'10" x 5'1"
156cm x 71cm/5'1" x 2'4"	156cm x 71cm/5'1" x 2'4"	156cm x 71cm/5'1" x 2'4"
156cm x 71cm/5'1" x 2'4"	156cm x 71cm/5'1" x 2'4"	186cm x 71cm/6'1" x 2'4"
192cm x 134cm/6'4" x 4'5"	185cm x 133cm/6'1" x 4'4"	192cm x 134cm/6'4" x 4'5"
		180cm x 69cm/5'11" x 2'3"
		176cm x 59cm/5'9" x 1'11"

Awning sizes: Due to varying awning designs and sizes the awning sizes given are approximate only. Specific awning sizes must be confirmed by your dealer or awning manufacturer prior to purchase.

* The dimensions given are approximate due to slight variations in suspension ride heights, loading conditions and tyre pressures.

Customers should verify the actual dimensions of their touring caravan before committing to anything that could be impacted by these dimensions

Please note: Any dealer fit options will reduce the overall payload available to the user of the caravan. If you require additional payload it is possible to upgrade the MTPLM to the upper limit. Please contact your Swift caravan dealer for more information.

Specification

Conqueror	Conqueror 480	Conqueror 530	Conqueror 565
Elite	Elite Diamond	Elite Emerald	Elite Opal
Berths	2	4	4
Axles	1	1	1
Internal Length (bed box height)	4.74m/15'7"	5.50m/18'1"	5.60m/18'4"
Overall Width	2.31m/7'7"	2.31m/7'7"	2.31m/7'7"
Overall Height (inc. TV Aerial)*	2.62m/8'7"	2.67m/8'9"	2.67m/8'9"
Maximum Internal Headroom	1.95m/6'5"	1.95m/6'5"	1.95m/6'5"
Overall Length	6.46m/21'2"	7.22m/23'8"	7.32m/24'0"
Awning A/A dimension†	9.12m/29'11"	9.88m/32'5"	9.98m/32'9"
Mass in Running Order (inc. tolerance)	1335kg/26.3cwt	1497kg/29.5cwt	1496kg/29.4cwt
Maximum Technical Permissible Laden Mass (Lower limit)	1460kg/28.7cwt	1650kg/32.5cwt	1650kg/32.5cwt
Maximum Technical Permissible Laden Mass (Upper limit)	1500kg/29.5cwt	1750kg/34.4cwt	1750kg/34.4cwt
Total user Payload	125kg/2.5cwt	153kg/3.0cwt	154kg/3.0cwt
Personal Effects	125kg/2.5cwt	153kg/3.0cwt	154kg/3.0cwt
Options	0kg/0cwt	0kg/0cwt	0kg/0cwt
Tyre Size	185 R14C 102Q	195/70 R15C 104R	195/70 R15C 104R
Tyre pressure at Lower limit MTPLM	61 psi/4.2bar	65 psi/4.5bar	65 psi/4.5bar
Tyre pressure at Upper limit MTPLM	64 psi/4.4bar	65 psi/4.5bar	65 psi/4.5bar
Static Load on Coupling Head	100kg	100kg	100kg
Thermal Insulation Grade	THREE	THREE	THREE
Bed Sizes			
Front Double	209cm x 186cm/6'10" x 6'1"	209cm x 176cm/6'10" x 5'9"	209cm x 156cm/6'10" x 5'1"
or Front Nearside Single	186cm x 71cm/6'1" x 2'4"	176cm x 71cm/5'9" x 2'4"	156cm x 71cm/5'1" x 2'4"
and Front Offside Single	186cm x 71cm/6'1" x 2'4"	186cm x 71cm/6'1" x 2'4"	156cm x 71cm/5'1" x 2'4"
Rear Double			
Rear Bunk			
Side Single (offside)		180cm x 69cm/5'11" x 2'3"	192cm x 72cm/6'4" x 2'4"
Side Single (nearside)			183cm x 72cm/6'0" x 2'4"
Side Bunk (offside)		176cm x 59cm/5'9" x 1'11"	

Weights: From the 2011 season the method of calculating the Mass in Running Order (MRO) and user payload figures has changed in order to bring it in line with European Vehicle Directives.

Allowances for essential equipment (e.g. gas cylinders) previously allowed for in the user payload are now contained within the MRO. A provision for a leisure battery which used to be within the essential

equipment payload has now been included within the personal effects payload allowance.

Although the method of calculation has changed, the overall effect is that the amount of payload available to the customer has remained the same, it is just calculated in a different manner

Bed Sizes : Please note that the front double bed sizes quoted are for seating configurations without chest of drawers. The front double bed width for a layout with a chest of drawers fitted will be reduced by 0.4m(1'4") from that stated.

Conqueror 570	Conqueror 630	Conqueror 645
Elite Amber	Elite Searcher	Elite Explorer
4	4	4
1	2	2
5.60m/18'4"	6.27m/20'7"	6.27m/20'7"
2.31m/7'7"	2.31m/7'7"	2.31m/7'7"
2.67m/8'9"	2.62m/8'7"	2.62m/8'7"
1.95m/6'5"	1.95m/6'5"	1.95m/6'5"
7.32m/24'0"	7.99m/26'3"	7.99m/26'3"
9.98m/32'9"	10.65m/34'11"	10.65m/34'11"
1496kg/29.4cwt	1654kg/32.6cwt	1624kg/32.0cwt
1650kg/32.5cwt	1814kg/35.7cwt	1784kg/35.1cwt
1750kg/34.4cwt	1900kg/37.4cwt	1900kg/37.4cwt
154kg/3.0cwt	160kg/3.1cwt	160kg/3.1cwt
154kg/3.0cwt	160kg/3.1cwt	160kg/3.1cwt
0kg/0cwt	0kg/0cwt	0kg/0cwt
195/70 R15C 104R	185/70 R14 88T	185/70 R14 88T
65 psi/4.5bar	32 psi/2.2bar	32 psi/2.2bar
65 psi/4.5bar	33 psi/2.3bar	33 psi/2.3bar
100kg	100kg	100kg
THREE	THREE	THREE
209cm x 156cm/6'10" x 5'1"	209cm x 156cm/6'10" x 5'1"	209cm x 156cm/6'10" x 5'1"
156cm x 71cm/5'1" x 2'4"	156cm x 71cm/5'1" x 2'4"	156cm x 71cm/5'1" x 2'4"
156cm x 71cm/5'1" x 2'4"	156cm x 71cm/5'1" x 2'4"	156cm x 71cm/5'1" x 2'4"
192cm x 134cm/6'4" x 4'5"	192cm x 134cm/6'4" x 4'5"	185cm x 133cm/6'1" x 4'4"

Awning sizes: Due to varying awning designs and sizes the awning sizes given are approximate only. Specific awning sizes must be confirmed by your dealer or awning manufacturer prior to purchase.

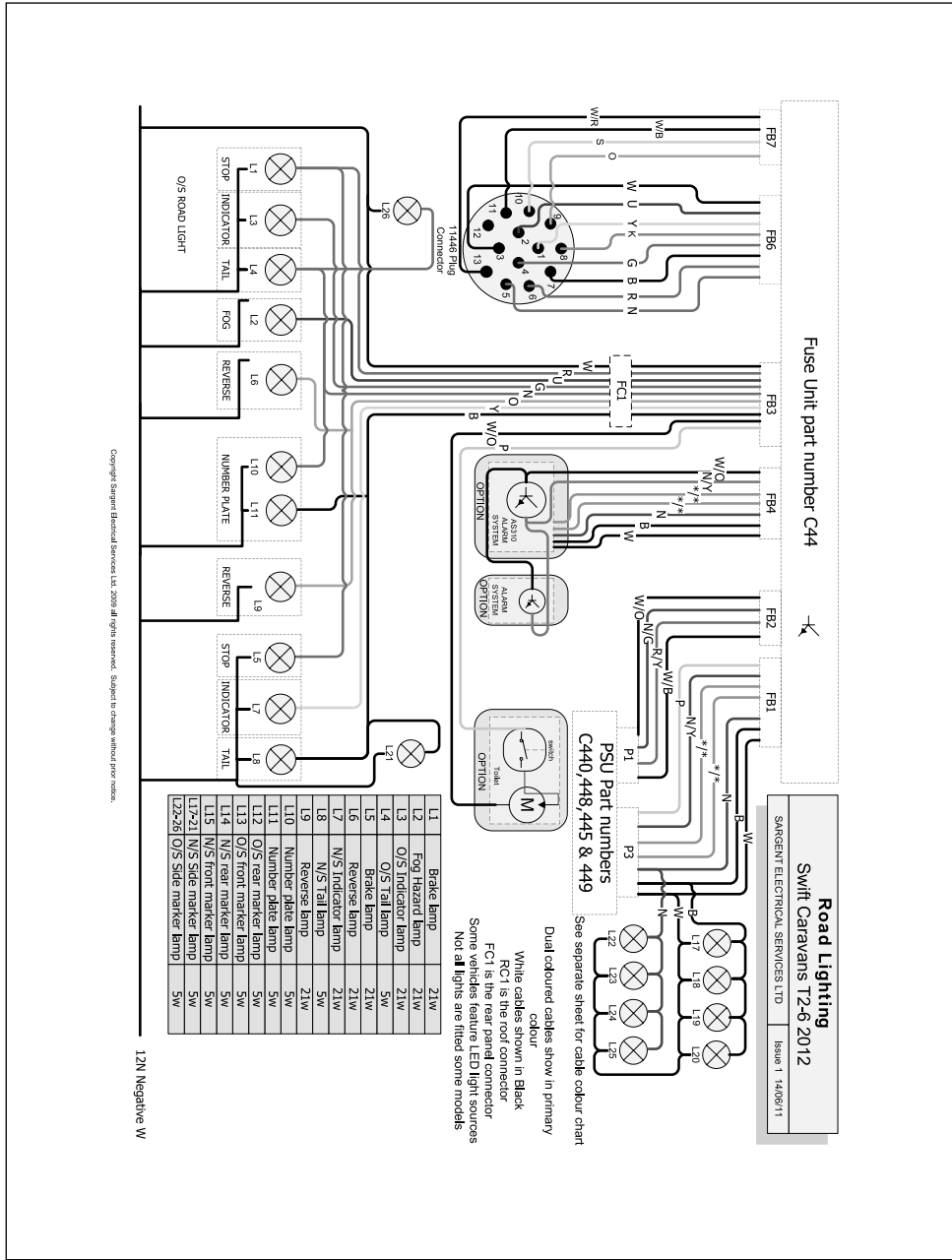
* The dimensions given are approximate due to slight variations in suspension ride heights, loading conditions and tyre pressures.

Customers should verify the actual dimensions of their touring caravan before committing to anything that could be impacted by these dimensions

Please note: Any dealer fit options will reduce the overall payload available to the user of the caravan.

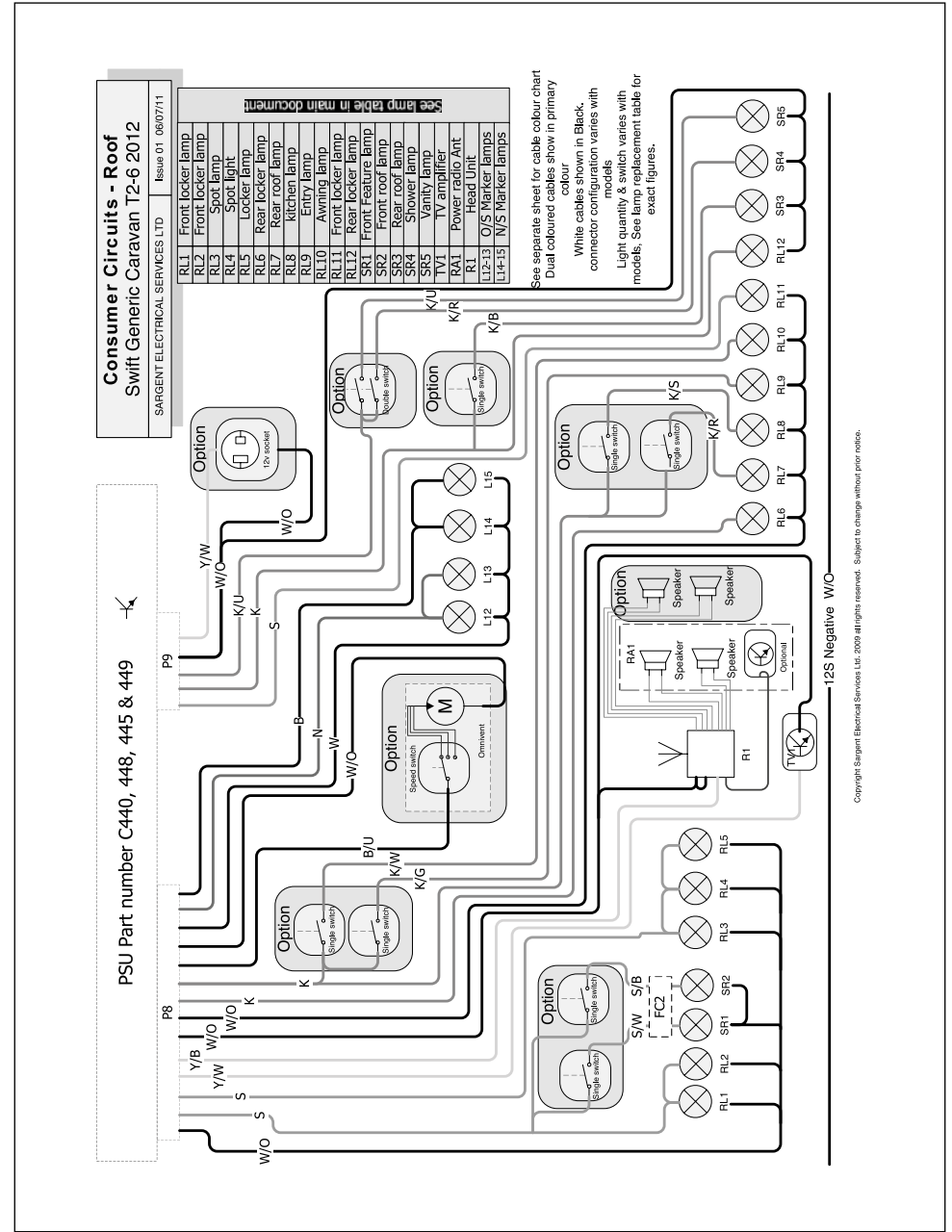
If you require additional payload it is possible to upgrade the MTPLM to the upper limit. Please contact your Swift caravan dealer for more information.

Challenger/Conqueror - Eccles/Elite ranges - Road lighting



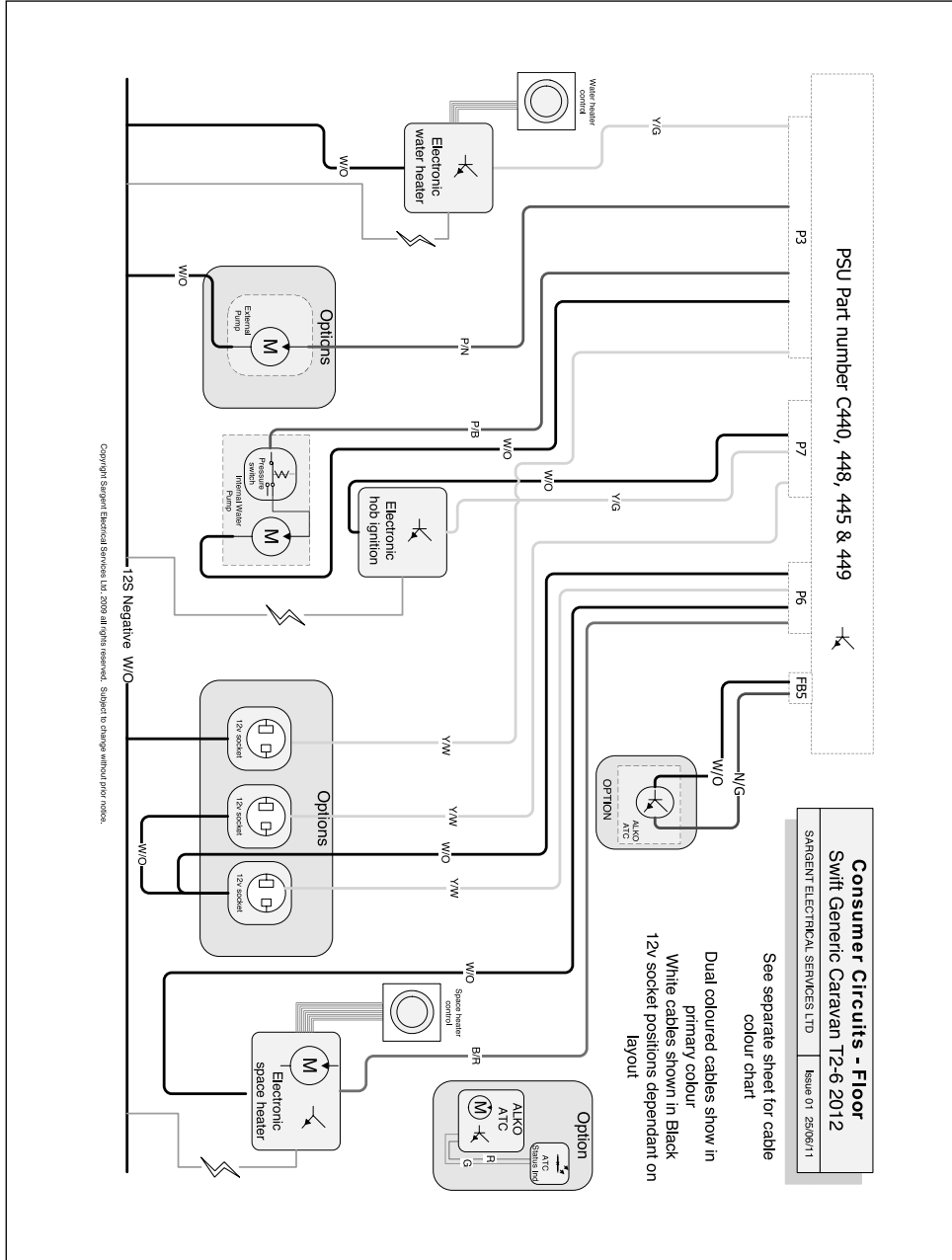
12N Negative W

Challenger/Conqueror - Eccles/Elite ranges - Roof circuits

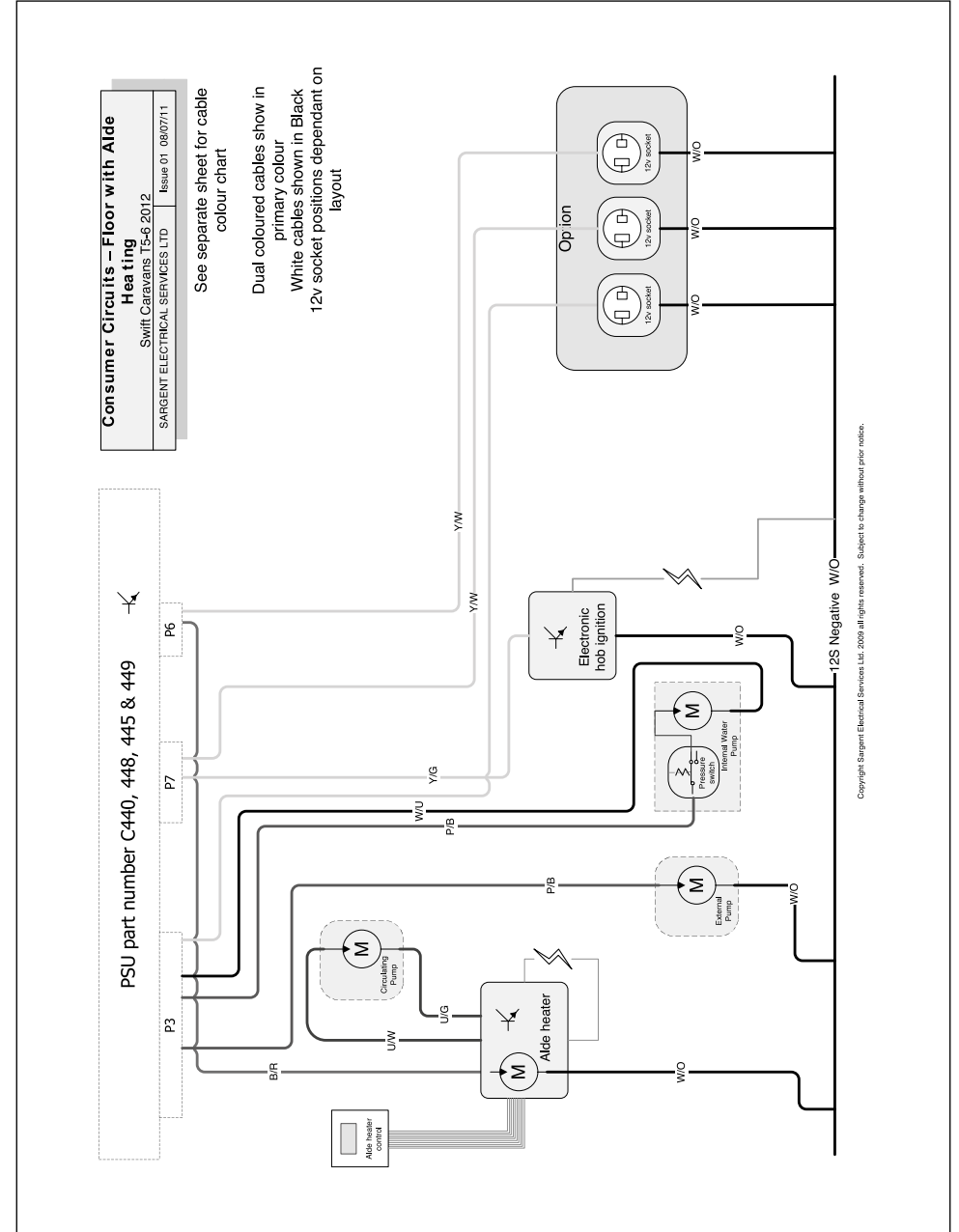


12S Negative W/O

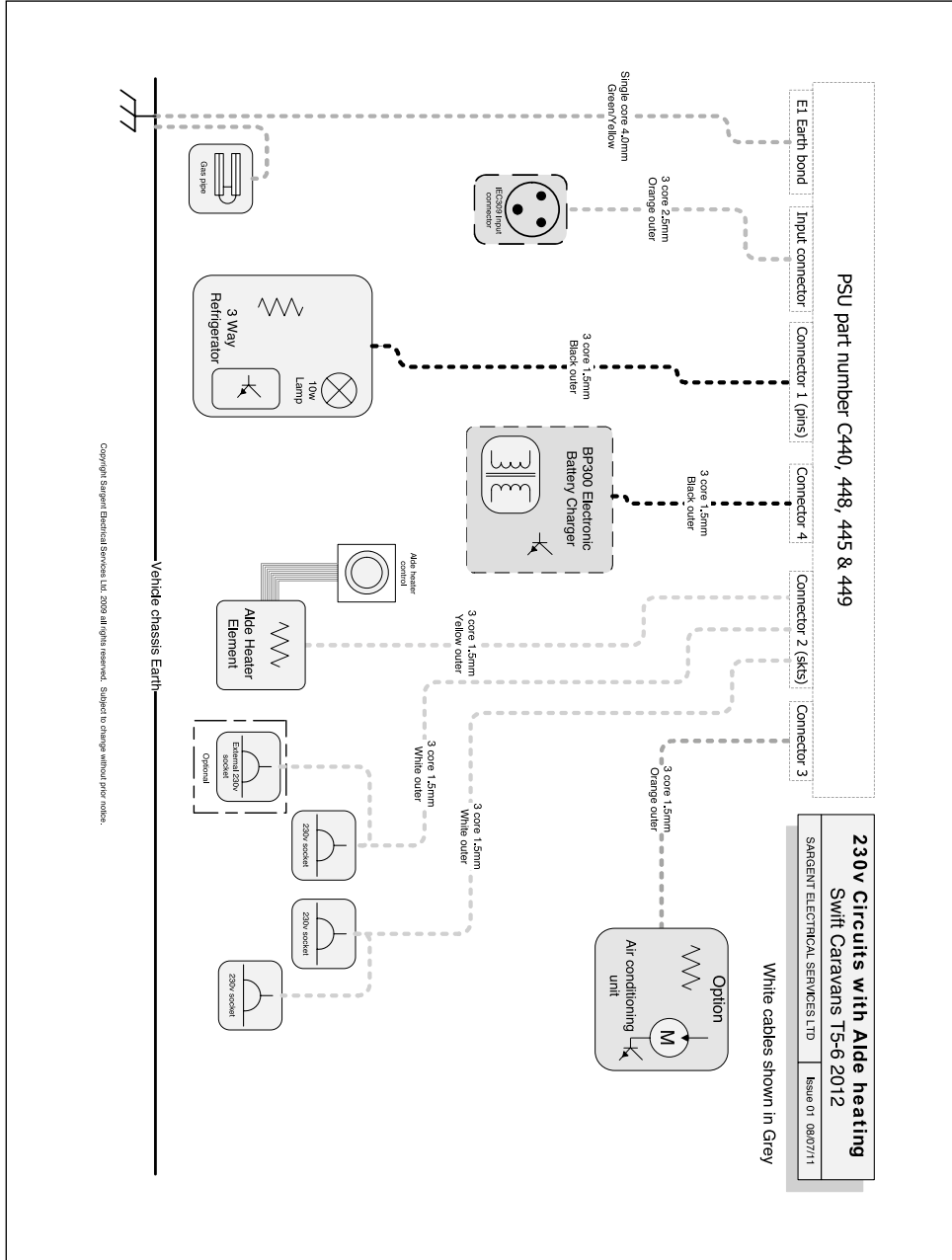
Challenger/Conqueror - Eccles/Elite ranges - Floor circuits



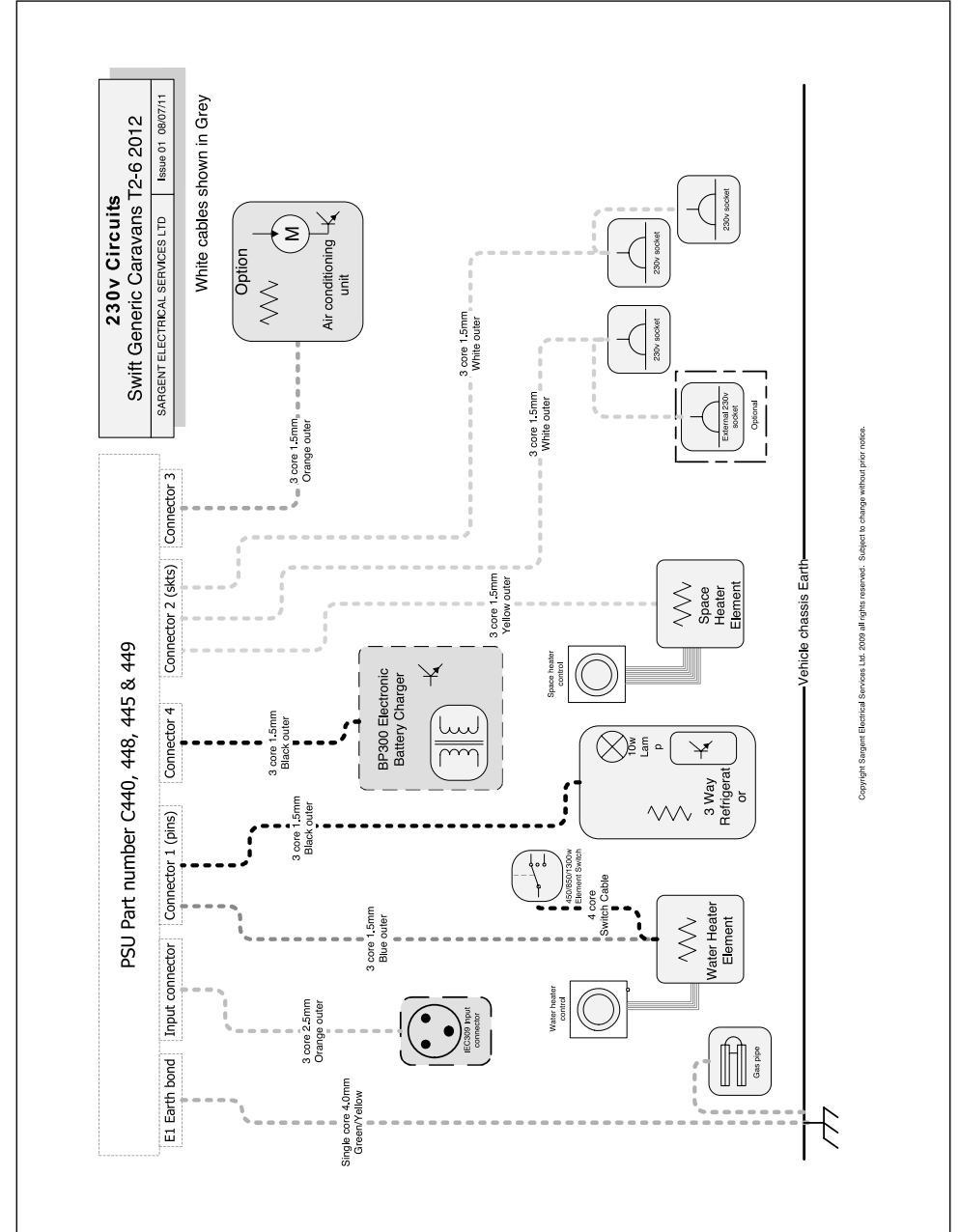
Conqueror/Elite ranges - Floor with Alde Heating circuits



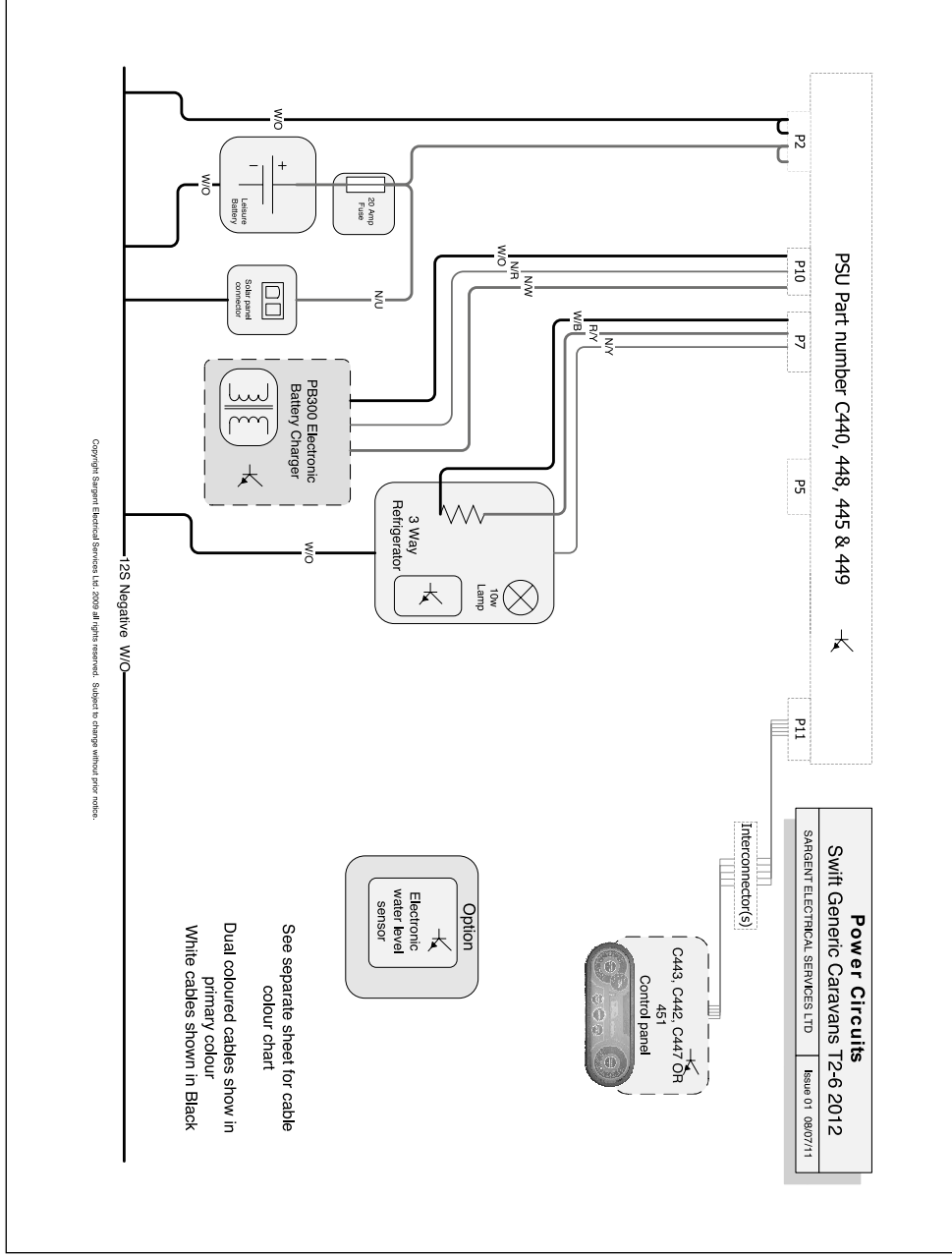
Conqueror/Elite ranges - 230V Alde Heating circuits



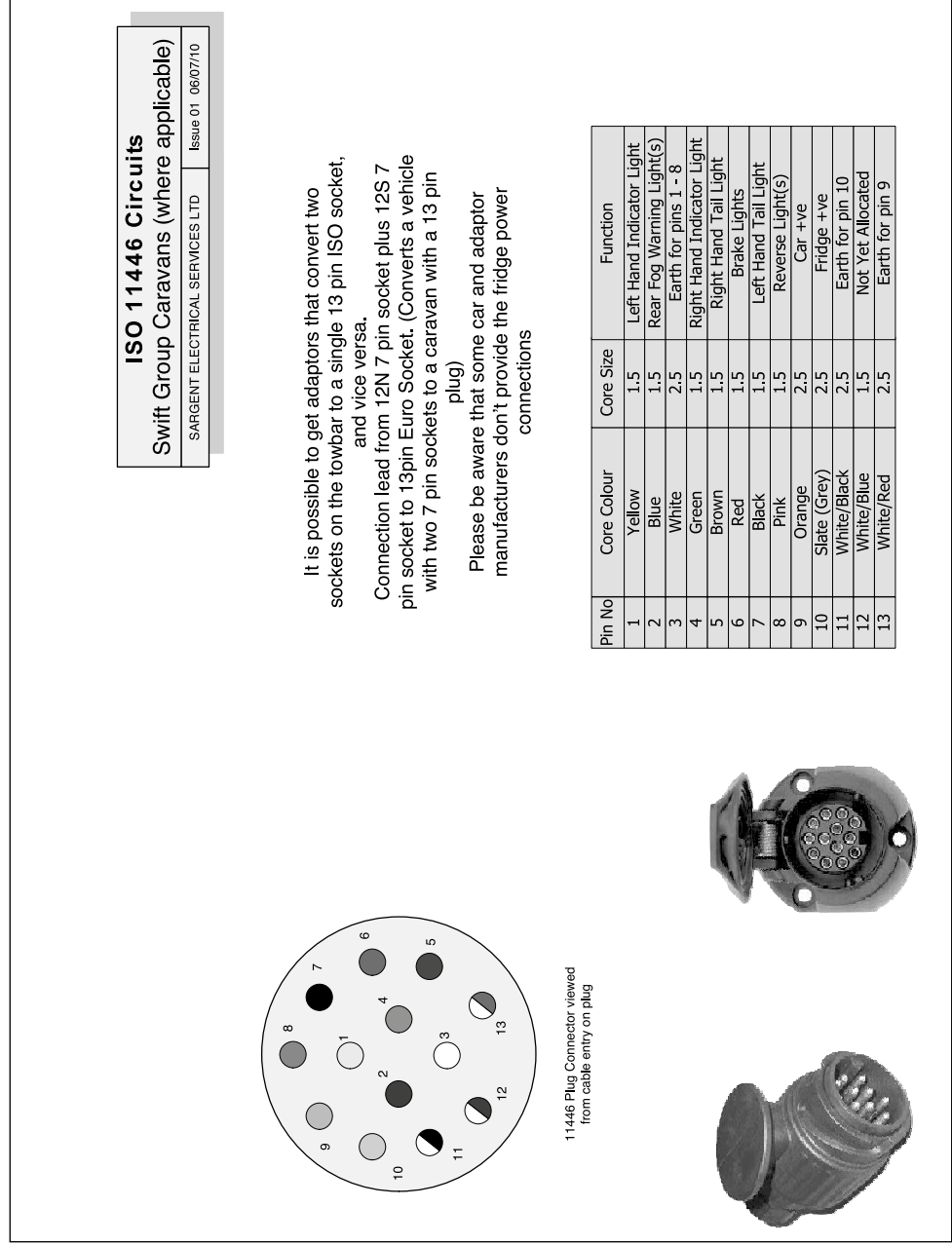
Challenger/Conqueror - Eccles/Elite ranges - 230V circuits



Challenger/Conqueror - Eccles/Elite ranges - Power circuits



Challenger/Conqueror - Eccles/Elite ranges - 13 pin socket




Challenger/Conqueror - Eccles/Elite ranges - Cable colours

12v Cable Colours

B	BLACK
N	BROWN
R	RED
O	ORANGE
Y	YELLOW
G	GREEN
U	BLUE
P	PURPLE
S	SLATE GREY
W	WHITE
K	PINK

Example



Y/U Yellow cable with Blue stripe

230v Cable Colours

B	BLACK
N	BROWN
W	WHITE
O	ORANGE
Y	YELLOW
G	GREEN
U	BLUE

Cable Colour Chart
Swift range 2011

SARGENT ELECTRICAL SERVICES LTD Issue 08/07/10

Exterior Lights	Bulb type	Bulb rating
Front marker lights	Complete lamp	12v LED
Side marker - Low level	W5W	12v 5W
Side marker - High level	R5W	12v 5W
Reversing light	P21	12v 21W
Rear indicator light	P21	12v 21W
Rear indicator light	PY21W Orange Bulb	12v 21W
Brake / tail light	P21/5W	12v 21W/5W
Fog light	P21	12v 21W
Number plate light	C5W	12v 5W
High level brake light	Jokon ZHBL 12 RED	LED
Interior / Other Lights	Bulb type	Bulb rating
Awning lamp (LED)	Astro 500mm LED complete unit	12v 2.2W LED
Ceiling light, triple (LED)	FEM0662 complete unit	12v LED
Locker spot lights (LED)	FEM0658 complete lamp	12v LED
Down lighters (LED)	FEM0659 complete lamp, Silver	12v LED
Down lighters (LED)	FEM0660 complete lamp, Nickel	12v LED
Kitchen light	FEM0661 complete lamp, surface mount	12v LED
Kitchen light	F2557 complete lamp, flush mount	12v CCFL
Over locker lighting	Fluorescent 300mm	12v 8W
Over locker lighting	Fluorescent 525mm	12v 13W
Feature light over front seating	FEM0803 complete lamp	12v LED
Wardrobe lamp	Halogen capsule bulb	GU4 12v 5W

Note: Not all lights and bulbs feature on all models within a range

Bulb Replacement

2011 T5D / T6D CHALLENGER / ECCLES / CONQUEROR / ELITE ROAD LIGHT BULB ACCESS

REAR LIGHT CLUSTERS (CONTAINING INDICATOR, TAIL / STOP, REVERSE AND FOG LAMPS)

All of the bulbs within the clusters are accessed from the rear of the cluster.

To remove the cluster, release the four screws that can be seen around the perimeter of the lense of the lamp. The whole lamp can then be withdrawn from the rear of the caravan.

The relevant bulb holder can now, from the rear of the lamp, be twisted relative to the body of the lamp to release it.

The bulbs are then a bayonet fitting into the bulb holder - push the bulb lightly toward the holder, and twist, to release.

Please take additional care replacing stop/tail light in correct orientation. When fitted correctly brake light illumination will be brighter than tail lamp illumination.

Re-fit the bulb holder into the lamp body.

FRONT LOW LEVEL MARKER / POSITION LAMPS (CLEAR LENSE)

These lamps are LED and have no user serviceable parts inside.

Replacements should be undertaken by your dealer, as the lamps are sealed onto the mounting panel.

HIGH LEVEL BRAKE LAMP

This lamp is single piece and has no user serviceable parts inside.

Replacements should be undertaken by your dealer, as the lamps are sealed onto the mounting panel.

NUMBER PLATE LAMPS

Bulb access is from via the front lense of each lamp.

Remove the two screws in the lense of the lamp, and remove.

Lever the bulb out of retaining clips.

Reverse the procedure to re-fit a new bulb and the light lense.

SIDE MARKER / POSITION LAMPS

Bulb access is from rear of lamp.

If rear of lamp is visible from inside the caravan:

- Depending on the location, a small brown plastic cover may be present covering the connections to the lamp. Remove the screws in the cover to release and access the rear of the lamp.
- The harness plugs directly into the bulb holder - twist the bulb holder relative to the lamp body to release, and withdraw the bulb holder and bulb.
- Bulbs are push fit into bulb holder - pull bulb directly away from holder to release
- Reverse the procedure to replace the bulb in the holder, holder in the lamp and the lamp onto the caravan body. Replace plastic cover.

If rear of lamp is not visible from inside the caravan:

- Remove the 2 screws from the front of the light fitting, and withdraw the whole fitting from the caravan body
- The harness plugs directly into the bulb holder - twist the bulb holder relative to the lamp body to release, and withdraw the bulb holder and bulb.
- Bulbs are push fit into bulb holder - pull bulb directly away from holder to release
- Reverse the procedure to replace the bulb in the holder, holder in the lamp and the lamp onto the caravan body.