



## SWIFT GROUP

Dunswell Road  
Cottingham  
East Yorkshire HU16 4JX

Tel **01482 875740**

Fax **01482 840082**

email [enquiry@swiftgroup.co.uk](mailto:enquiry@swiftgroup.co.uk)

For more information visit  
[www.swiftgroup.co.uk](http://www.swiftgroup.co.uk)

Issued July 2015

FIND OUT MORE [SWIFTGROUP.CO.UK](http://SWIFTGROUP.CO.UK)



BROCHURE  
DOWNLOADS



FIND A  
DEALER



FACEBOOK AND  
[SWIFT-TALK.CO.UK](http://SWIFT-TALK.CO.UK)



PRODUCT VIDEOS  
[SWIFTTV.CO.UK](http://SWIFTTV.CO.UK)



# SWIFT RIO

## TECHNICAL HANDBOOK

---



Specifications ..... 2

Capacities ..... 5

Towing Capabilities ..... 6

Jacking ..... 8

Wiring Diagrams ..... 9

Bulb Chart ..... 15

Bulb Replacement..... 16



# Specifications

Model	Rio 340 Standard	Rio 340 Optional
Roof Profile	Low Line	Low Line
Engine	130 MJT	130 MJT AUTO
Engine Capacity	2287cc	2287cc
Max Power	96kW @ 3600rpm	96kW @ 3600rpm
Torque	320 @ 1800rpm	320 @ 1800rpm
Chassis	LWB Fiat Low Line Chassis	LWB Fiat Low Line Chassis
Wheel base	4.04m/13'3"	4.04m/13'3"
Designated Passenger Seats excluding Driver	3	
Berths (sleeping positions)	4	
Overall Length (no ladder)	6.40m/20'12"	
Overall Width (mirrors folded)	2.26m/7'5"	
Overall Height	2.78m/9'1"	
Maximum Technical Permissible Laden Mass (A)	3500kg	
Mass in Running Order (B)	2986kg	3003kg
Maximum User Payload (A-B)	514kg	497kg
Unladen Weight	2829kg	2846kg
Essential Habitation Equipment	10kg	
Thermal Insulation Grade	Three	
<b>Bed Sizes</b>		
Front Double		
Front Nearside Single		
Front Offside Single		
Rear Double	1.93m x 1.26m/6'4" x 4'2"	
Rear Nearside Single		
Rear Offside Single		
Drop Down Bed at Rear	1.83m x 1.20m/6'0" x 3'11"	

**NOTE:** 1. The **Maximum User Payload** includes:

- a) the **conventional load** (this is the allowance for passengers)
- b) **essential habitation equipment** (items and fluids required for safe and proper functioning of habitation equipment)
- c) **optional equipment** (items available from the manufacturer over and above the standard specification)
- d) **personal effects** (those items not covered by the above)

2. The **Mass in Running Order** is the mass of the unladen vehicle including a 75kg allowance for the driver plus engine coolants and 90% of the fuel tank and 1 x 6kg Calor Lite gas cylinder. The MRO is calculated with the fresh water tank empty. If you travel with water in the fresh water tank then the payload will reduce accordingly.

3. PLEASE TAKE CARE TO ENSURE THAT YOU HAVE ALLOWED FOR THE MASSES OF ALL ITEMS YOU INTEND TO CARRY IN THE MOTOR CARAVAN, e.g. passengers, optional equipment, essential

habitation equipment and personal effects, such as clothing, food, pets, bicycles, sailboards, sports equipment etc.

4. **WARNING** - UNDER NO CIRCUMSTANCES SHOULD THE MAXIMUM TECHNICAL PERMISSIBLE LADEN MASS OF THIS MOTOR CARAVAN BE EXCEEDED.

# Capacities

## Water Tank Capacities

	Fresh Water Tank	Waste Water Tank	Water Heater
Rio	86 litre	68 litre	10 litre

## LPG Locker Capacity

	Capacity
Rio	2 x 7kg

The above are recommended gas bottle sizes

**NOTICE : For technical data on the base vehicle please refer to the manufacturer's handbook**

# Towing Capabilities

## Rio Towing Capabilities

Model	Engine / Chassis
Rio 310	130MJT (2.3L)
Rio 310	130MJT (2.3L) AUTO
Rio 320	130MJT (2.3L)
Rio 320	130MJT (2.3L) AUTO
Rio 325	130MJT (2.3L)
Rio 325	130MJT (2.3L) AUTO
Rio 340	130MJT (2.3L)
Rio 340	130MJT (2.3L) AUTO

MTPLM	Permissible Front Axle Load	Permissible Rear Axle Load	Recommended Maximum Trailer Weight	Gross Train Weight
3500kg	1850kg	2000kg	2000kg	5500kg
3500kg	1850kg	2000kg	2000kg	5500kg
3500kg	1850kg	2000kg	2000kg	5500kg
3500kg	1850kg	2000kg	2000kg	5500kg
3500kg	1850kg	2000kg	2000kg	5500kg
3500kg	1850kg	2000kg	2000kg	5500kg
3500kg	1850kg	2000kg	2000kg	5500kg
3500kg	1850kg	2000kg	2000kg	5500kg

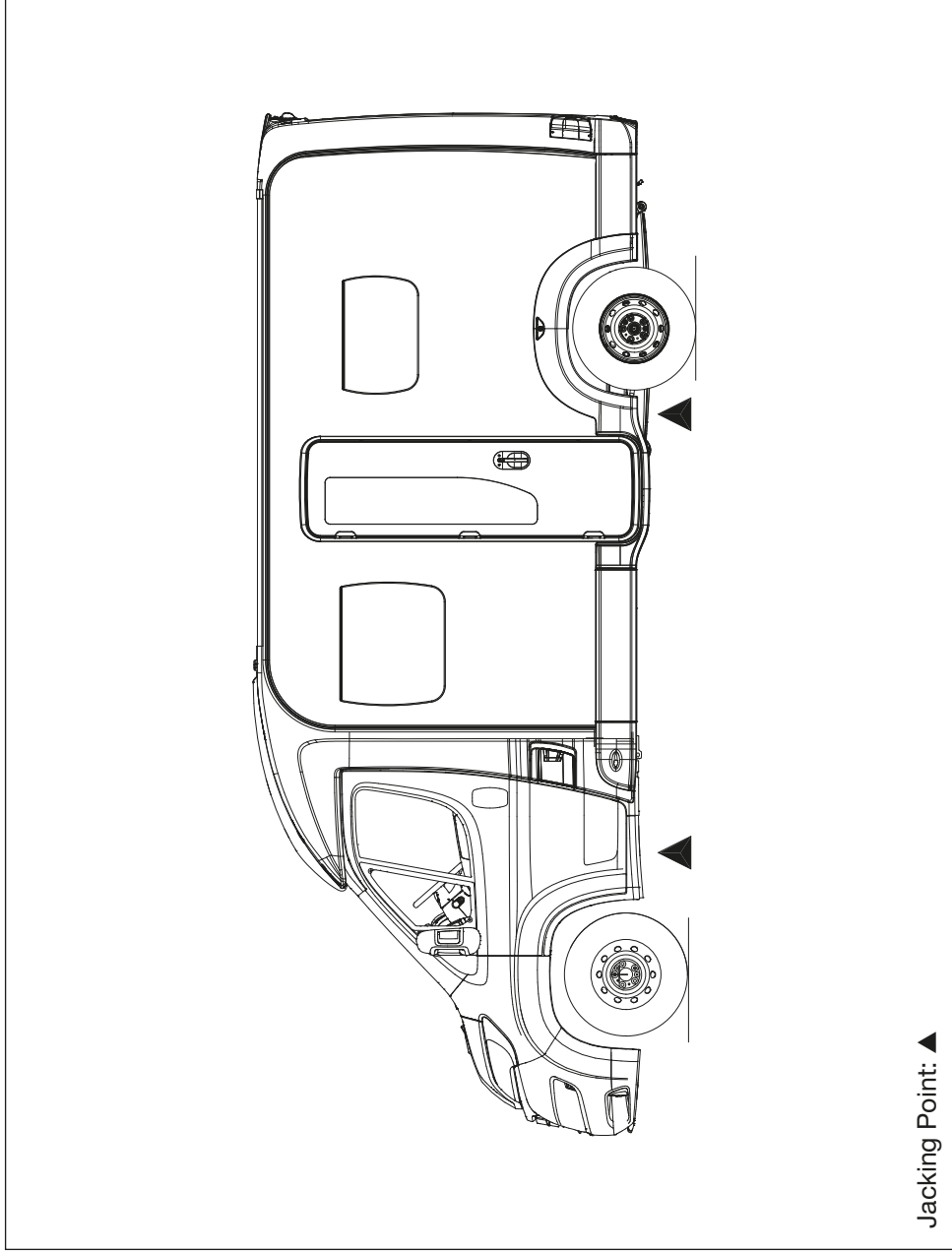
**CAUTION:** When fitting a towbar, it must meet certain minimum requirements as specified by Type Approval Regulations. The bar will have marked on it the approval standard (94/20/EC or 55R ECE) and the maximum download, or noseweight, that it can accept. It must fit the manufacturer's approved mounting points and must not obscure the towing vehicle's number plate.

Please note that the additional weight of the tow bar and trailer nose weight increases the rear axle loading of the motor home so care should be taken that the rear axle load is not exceeded when towing.

Care must be taken when distributing loads. The loadings and weights above are maximums and must not be exceeded under any circumstances.

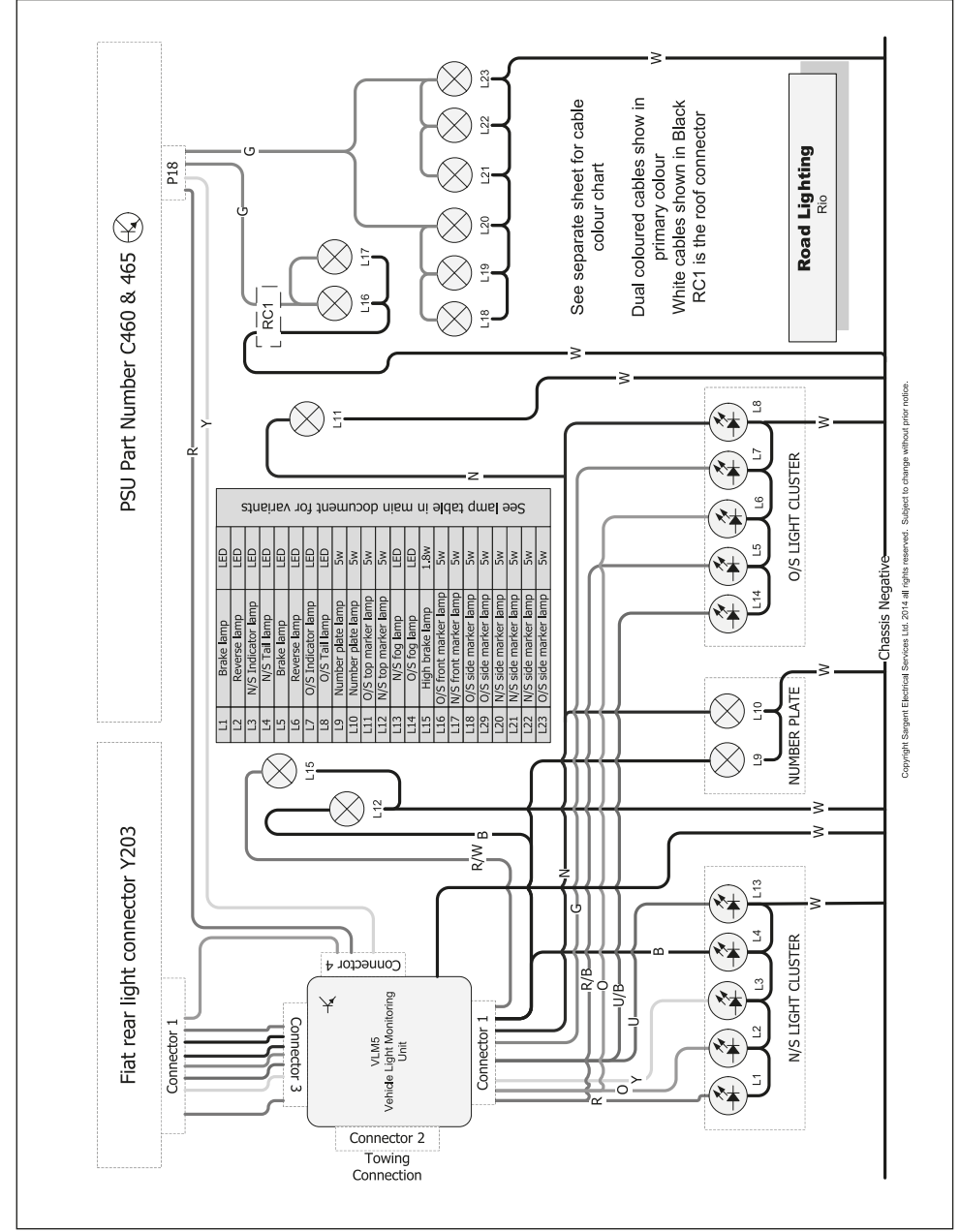
To ensure adequate road holding, the load on the front axle, under all conditions, must not be less than 40% or more than 70% of the total weight.

Rio



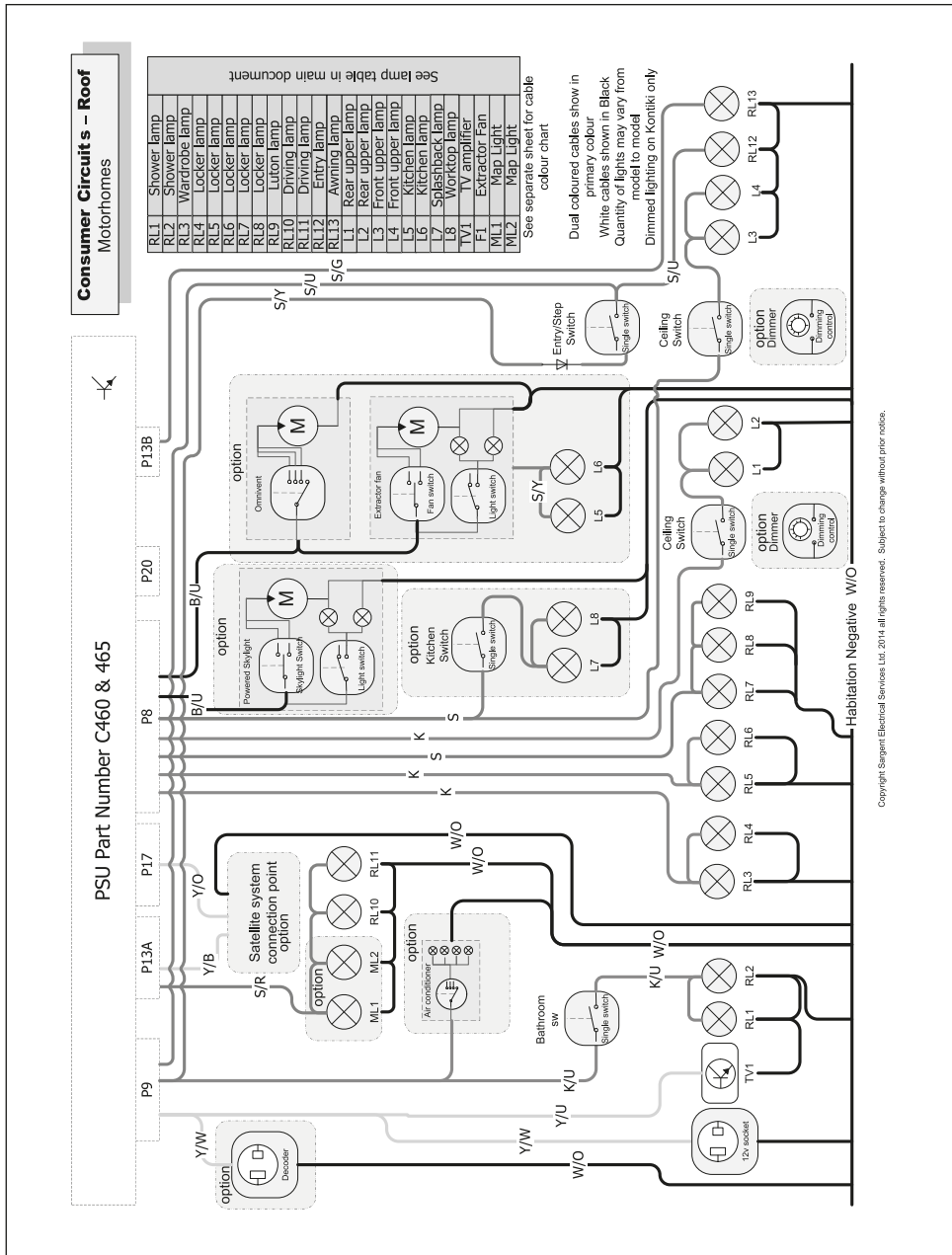
Jacking Point: ▲

Rio - Road lighting circuits



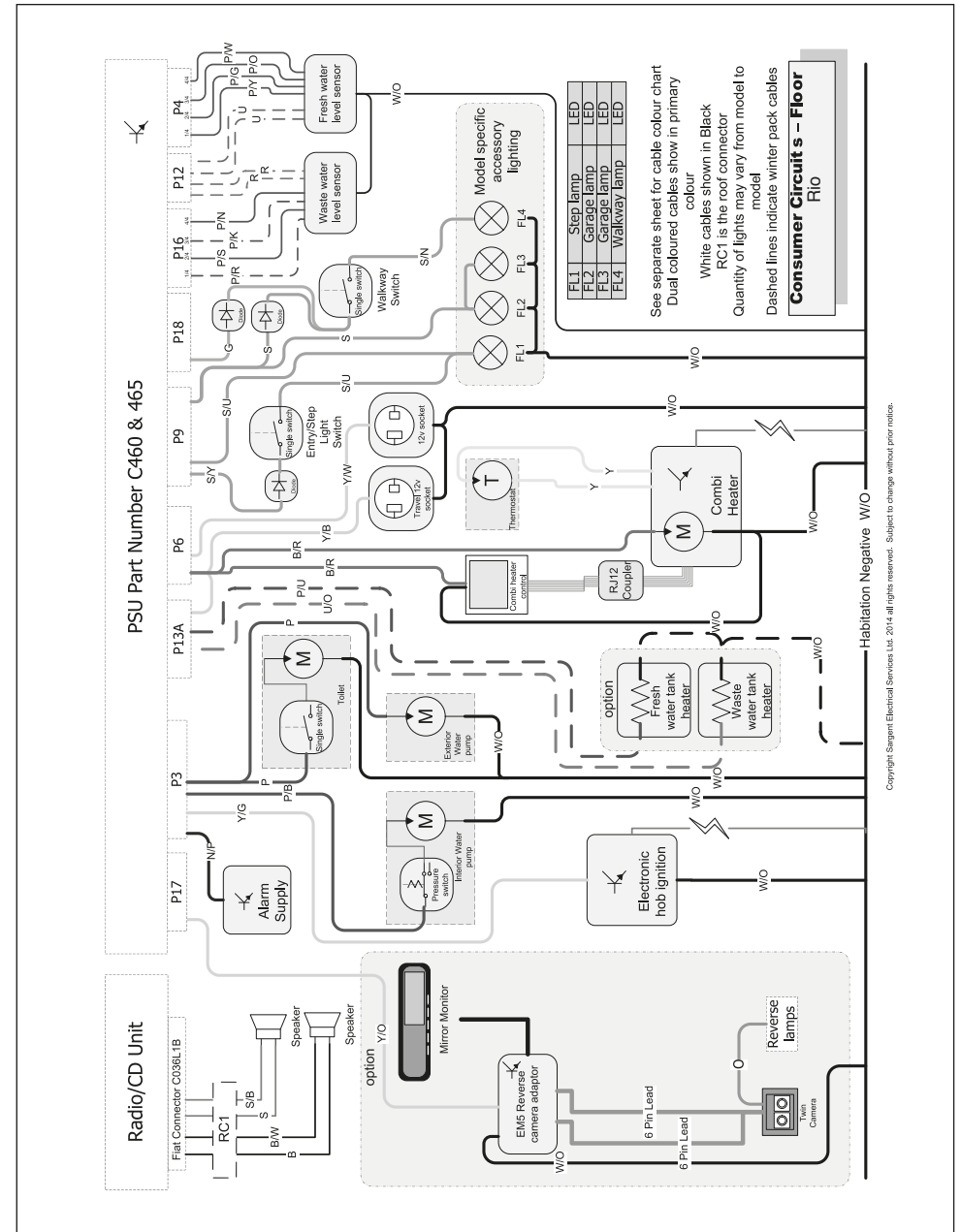
# Wiring Diagrams

## Rio - Roof lighting circuits



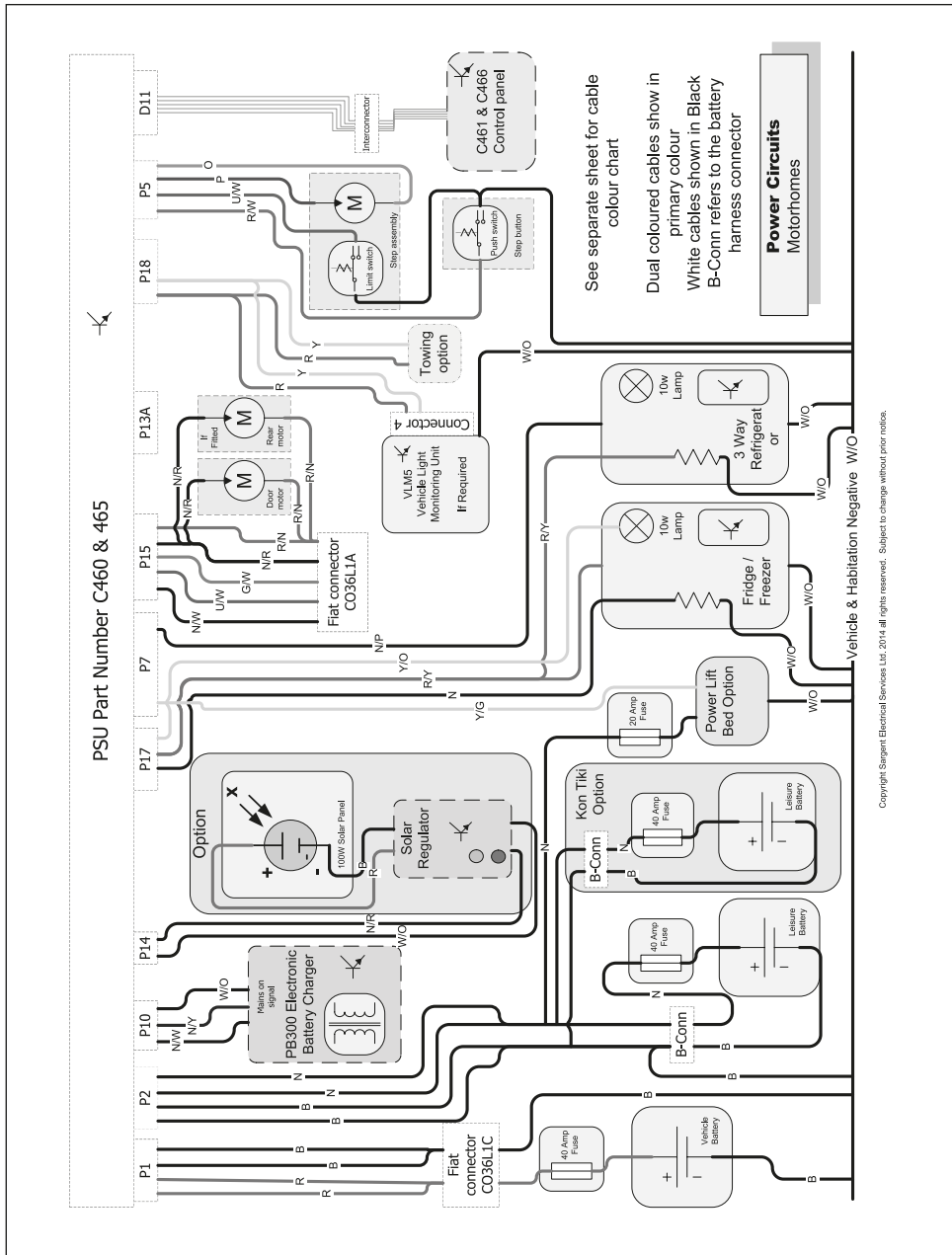
# Wiring Diagrams

## Rio - Consumer Circuits - Floor circuits



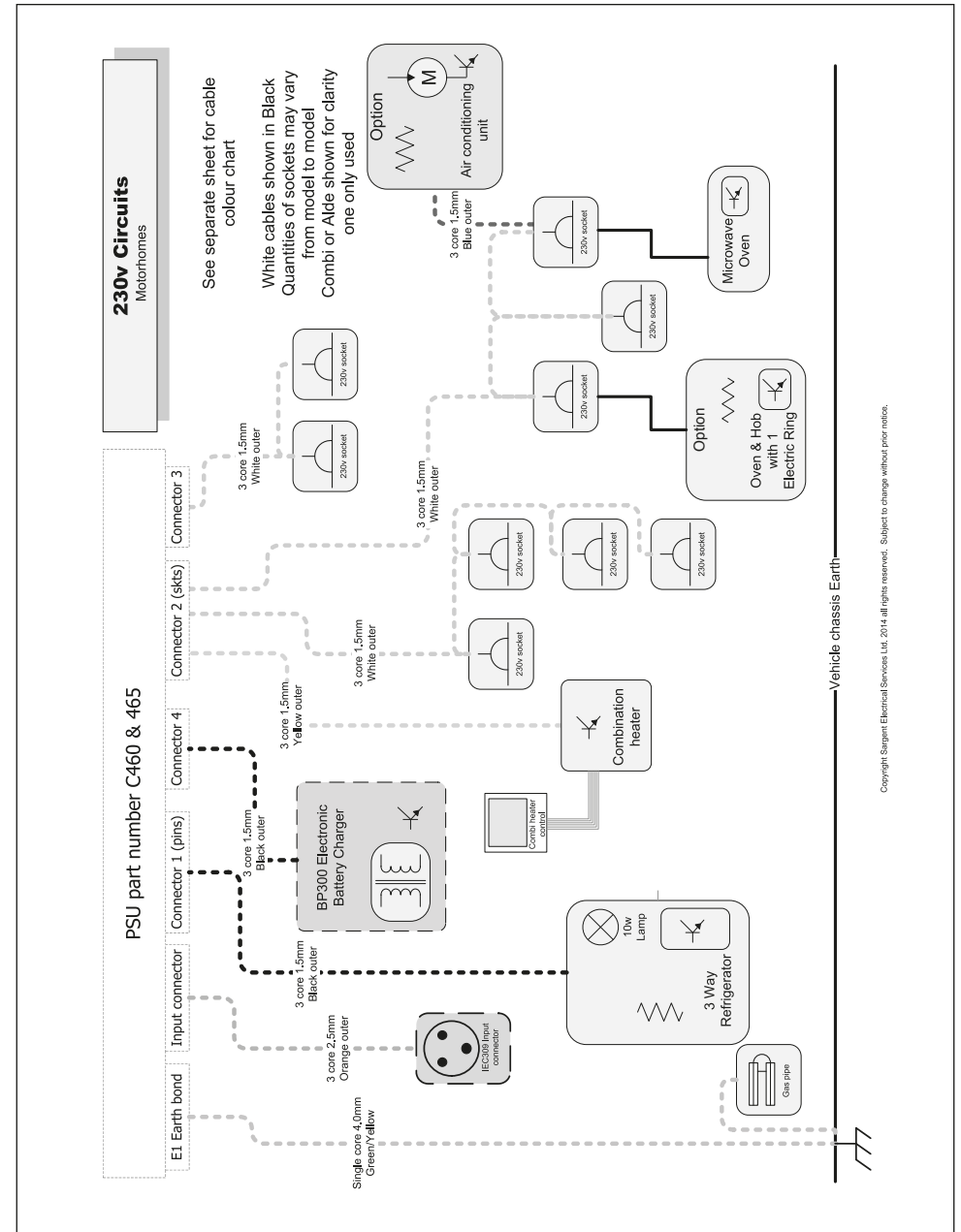
# Wiring Diagrams

## Rio - Power circuits



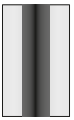
# Wiring Diagrams

## Rio - 230v with combi heating





## Rio - Cable Colour Chart



**Y/U**  
Yellow cable with Blue stripe

Example

**Cable Colour Chart**  
Swift Group

12v Cable Colours	
B	BLACK
N	BROWN
R	RED
O	ORANGE
Y	YELLOW
G	GREEN
U	BLUE
P	PURPLE
S	SLATE GREY
W	WHITE
K	PINK

230v Cable Colours	
B	BLACK
N	BROWN
W	WHITE
O	ORANGE
Y	YELLOW
G	GREEN
U	BLUE

Copyright Sargent Electrical Services Ltd. 2014. All rights reserved. Subject to change without prior notice.

Road Lights		
Application	Bulb Reference	Bulb Rating
Front marker light	LED complete unit - Britax L98.00.12v & L98.01.12v	12v LED
Side marker light	W5W	12v 5w
Rear high level marker light	LED complete unit - Jokon 13.0012.000	12v LED
High level stop lamp	LED complete unit - Hella 2DA343800057	12v LED
Rear light cluster (Multi function)	Britax L79.00.12v (LH) & L79.01.12v (RH)	12v LED
Number plate light	C5W	12v 5w
Interior/Other		
Application	Bulb Reference	Bulb Rating
Locker spotlights, LED with dimmer	LED complete lamp FEM1168	12v LED
China locker light	LED complete lamp FEM1374	12v LED
B-pillar map reading lamps	LED Complete lamp on 'swan neck' flexible arm	12v LED
Over locker / high level furniture lights	Flexible LED light strip (cut to length) FEM1214	12v LED
Illuminated panel backlighting	Flexible LED light strip (cut to length) FEM1214	12v LED
Downlights	LED complete lamp FEM01189	12v LED
Walkway low level lights	LED complete lamp FEM0993	12v LED
Awning lamp, LED	LED complete lamp FEM0945	12v LED
Step well light	LED complete lamp	12v LED

Note: Not all lights feature on all models within a range

## Bulb replacement

### **RIO ROAD LIGHTING, COACH-BUILT BODY MOUNTED LAMPS**

#### **REAR LIGHT CLUSTERS (CONTAINING INDICATOR, TAIL / STOP, REVERSE AND FOG LAMPS)**

These multi-function lights are LED and have no user serviceable parts inside.

Replacement clusters can be fitted in the following way:

Remove three screws visible around the perimeter of the cluster

Pull the cluster away from the rear panel of the tourer, taking care to not put excessive strain on the electrical connections behind the lamp

Unplug the electrical connection from the rear of the lamp, by releasing the tab and lifting the connector upwards relative to the cluster

Plug the connector back into the replacement lamp, position the lamp into the recess and replace the three fixing screws.

### **HIGH LEVEL BRAKE LAMP**

These lamps are LED and have no user serviceable parts inside.

Replacements should be undertaken by your dealer, as the lamps are sealed onto the mounting panel.

### **FRONT AND REAR UPPER MARKER / POSITION LAMPS**

These lamps are LED and have no user serviceable parts inside.

Replacements should be undertaken by your dealer, as the lamps are sealed onto the mounting panel.

### **SIDE MARKER / POSITION LAMPS**

These lamps are LED and have no user serviceable parts inside.

Replacements should be undertaken by your dealer, as the lamps are sealed onto the mounting panel.

### **NUMBER PLATE LAMPS**

Bulb access is via the front lense of each lamp.

Remove the two screws in the lense of the lamp, and remove.

Lever the bulb out of retaining clips.

Reverse the procedure to re-fit a new bulb and the light lense